

DESCRIPTION

AMCOM's AM000609LN-P1 is a broadband Low Noise Amplifier module. It is designed for general purpose applications. It operates from 20 MHz to 580 MHz with Noise Figure of 0.9 dB and small signal gain of 23 dB. The module operates using a +12V supply and uses SMA connectors for input and output. This amplifier module is compact at 1.25" (L) x 1.25" (W) x 0.563" (H).



FEATURES

- Broadband from 20 MHz - 580 MHz
- 19dBm of saturated CW output power
- Gain 23dB, Noise Figure 0.9 dB
- Input / Output matched to 50 Ohms

APPLICATIONS

- Lab Work
- Test and Measurements
- Instrumentation & control

TYPICAL PERFORMANCE *

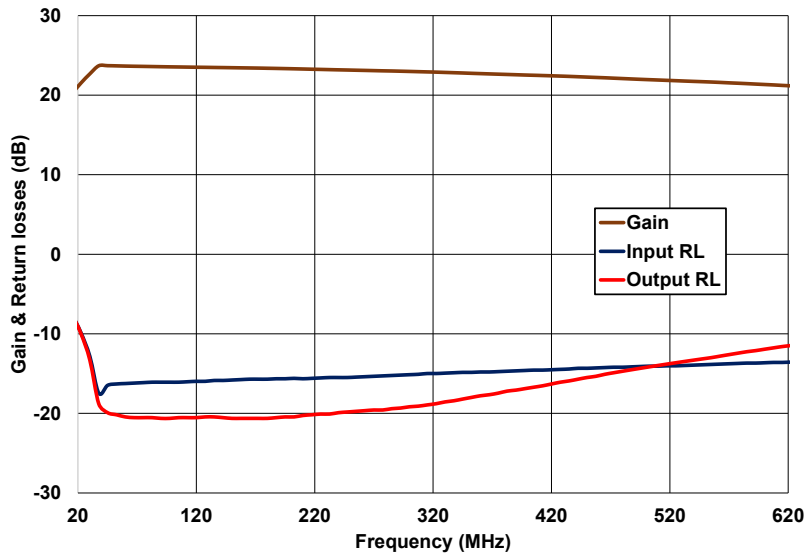
Parameters	Minimum	Typical **	Maximum
Frequency		20MHz – 580MHz	
Small Signal Gain	20	23	
Gain Ripple		± 1 dB	
Noise Figure		0.9	
Voltage supply		+12	+15
I _{ds} mA		70	
P _{1dB}	+17	+19	
IP3 dBm		33	
Input Return Loss		14 dB	
Output Return Loss		14 dB	

ABSOLUTE MAXIMUM RATING

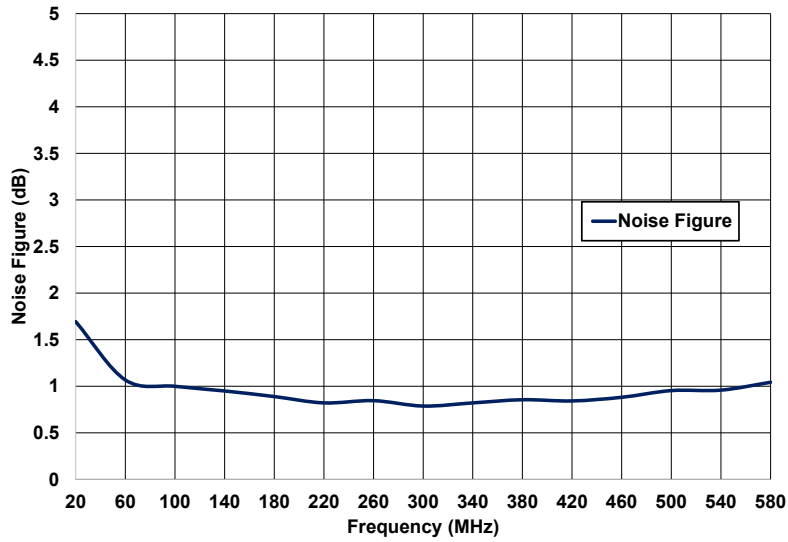
Parameters	Symbol	Rating
Drain source voltage	V _{dq}	15V
RF Input Power	RF _{in}	+15 dBm
Operating temperature	T _{op}	-40°C to +85°C
Storage temperature	T _{sto}	-55°C to +125°C

* Specifications are subject to change without notice.

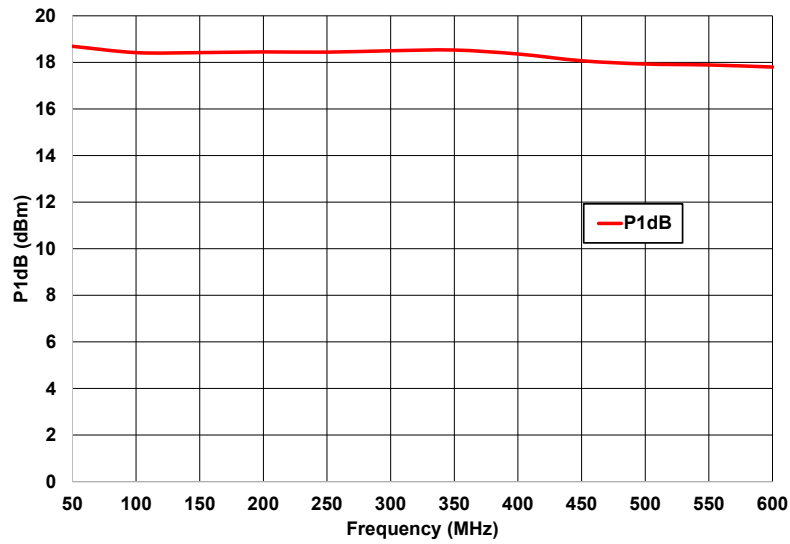
SMALL SIGNAL DATA



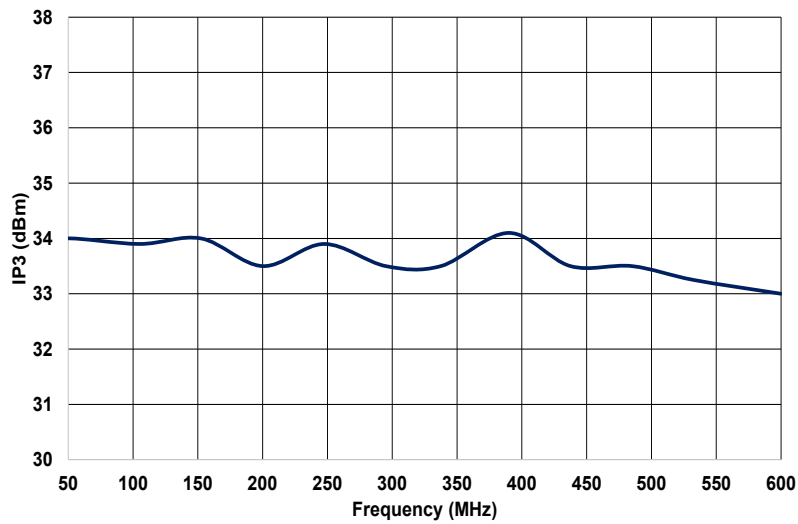
NOISE FIGURE



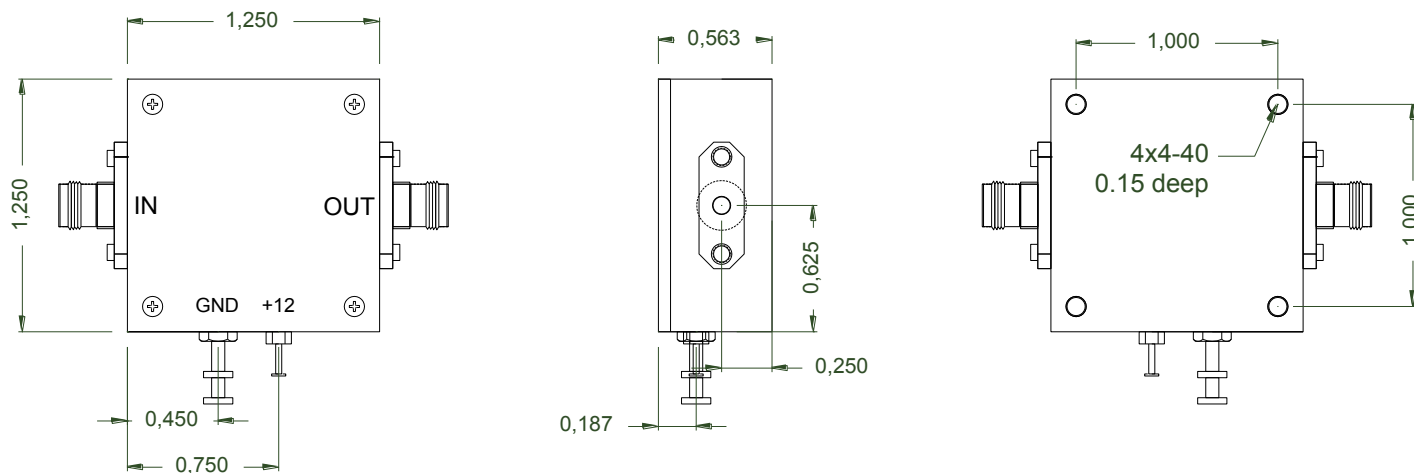
POWER DATA



IP3 DATA



PACKAGE OUTLINE



NOTES:

- 1- Female SMA for RF input and output.
- 2- Dimensions in Inches