

BPL BRAKE PEDAL LOAD CELL (U.S. & METRIC)

FEATURES & BENEFITS

- Lowest nonlinearity and hysteresis of any brake pedal load cell – < 0.05%
- Ultra low height
- Low sensitivity to off-center loads – < 1.0% / in
- Mounts directly to pedal with included strap(s)
- Interchangeable mounting plates
- Storage case included
- For use with gas, brake or clutch pedal
- Storage case included

SPECIFICATIONS

ACCURACY – (MAX ERROR)		
Static Error Band		±0.05
Nonlinearity – %FS		±0.05
Hysteresis – %FS		±0.05
Nonrepeatability – %RO		±0.02
Creep, in 20 min – %		±0.05
Eccentric Load Sensitivity – % / in		±1
TEMPERATURE		
Compensated Range	°F	+15 to +115
	°C	-10 to +45
Operating Range	°F	-65 to +200
	°C	-55 to +90
Effect on Output – % / °F MAX		±0.001
Effect on Zero – %RO / °F MAX		±0.002
ELECTRICAL		
Rated Output – mV/V (Nominal)		2.0
Zero Balance – %RO		±1.0
Bridge Resistance – Ohm (Nominal)		700
Excitation Voltage – VDC	MAX	15
	Nominal	10
Insulation Resistance – Megohm		> 5000
Deflection at Capacity	in	0.002
	mm	0.051
MECHANICAL		
Calibration		Compression
Safe Overload – %CAP		150
Safe Overload – Side – %CAP		40, any direction
Material		Aluminum

STANDARD CONFIGURATION



Model BPL (Shown)

OPTIONS

- Cable length
- Custom calibration
- Special temperature range
- Add connector to cable
- Standardized output
- Transducer Electronic Data Sheet (TEDS)

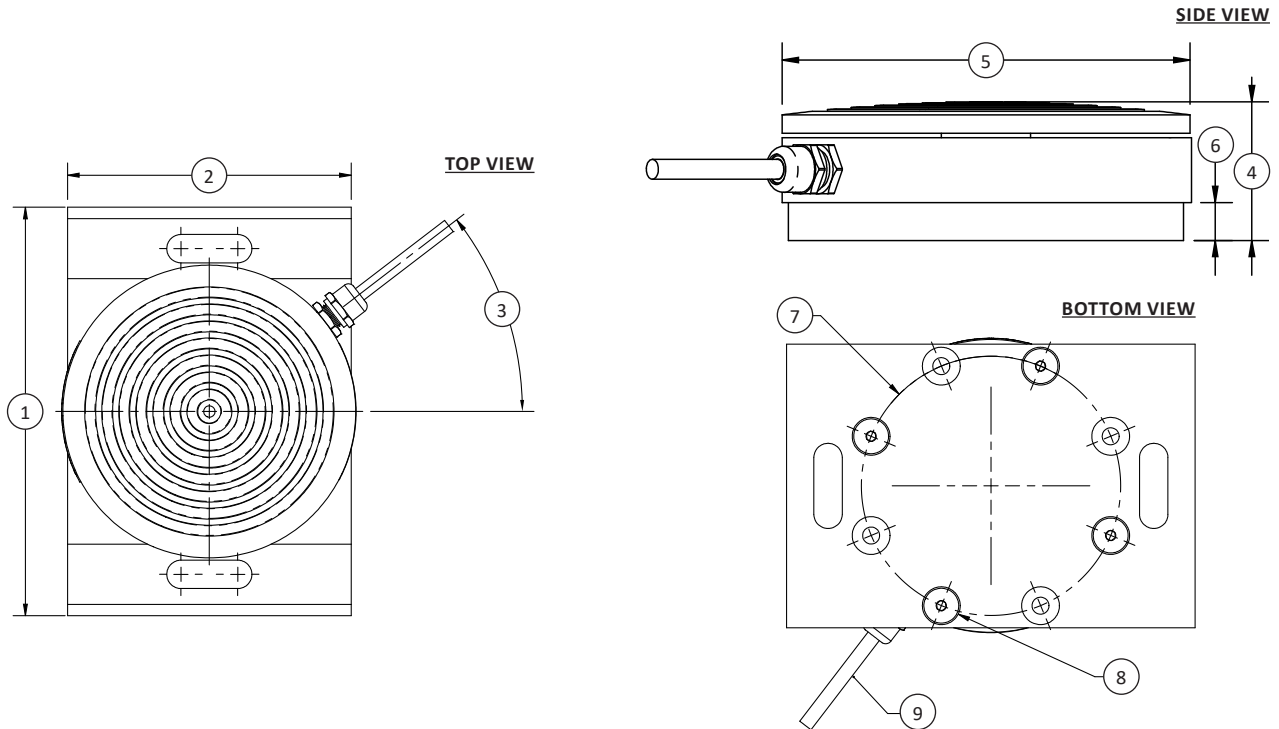
ACCESSORIES

- Instrumentation

CONNECTOR OPTIONS

- 10 ft (3 m) integral cable

BPL PEDAL LOAD CELL (U.S. & METRIC)



DIMENSIONS

See Drawing	CAPACITY	
	U.S. (lbf)	Metric (N)
	50, 100, 200, 300, 500	222, 445, 890, 1.33K, 2.22K
	in	mm
(1)	3.60	91.4
(2)	2.50	63.5
(3)	37.5°	
(4)	0.88	22.3
(5)	Ø2.58	Ø65.5
(6)	0.24	6.1
(7)	Ø2.285	Ø58.04
(8)	4 x 6-32 UNC	
(9)	Ø0.13	Ø3.3