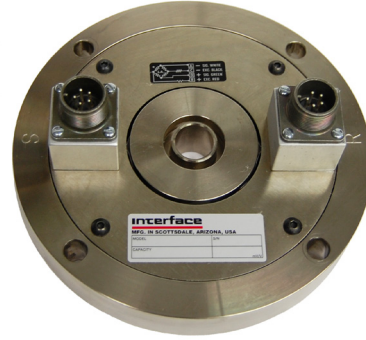


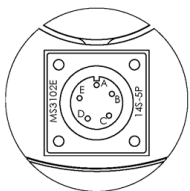
Model TXY Load Cell

- Measures X & Y forces
- Low cross talk – <1.0%
- Linearity 0.1%
- 3-axis version available



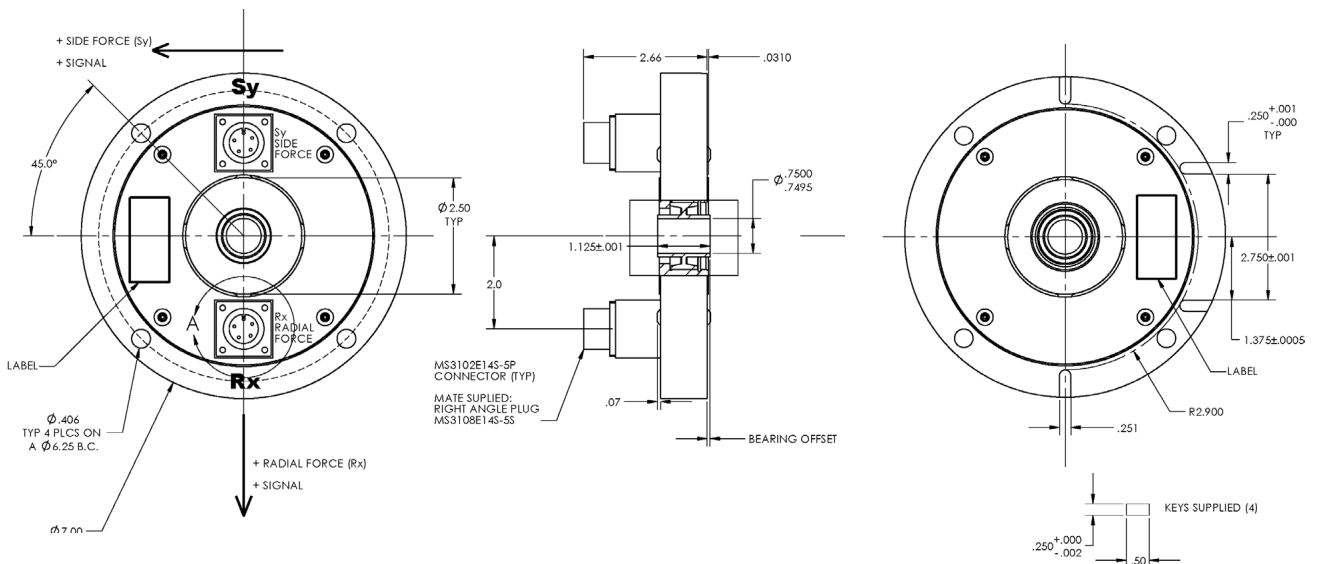
SPECIFICATIONS

Side Force Capacity	lbf	500
Radial Force Capacity	lbf	1K, 1.5K, 2K
Rated Output	mV/V	2 ±0.25%
Nonlinearity	%FS	±0.1
Hysteresis	%FS	±0.1
Nonrepeatability	%FS	±0.05%
Temperature Effect on Zero	%RO/°F	±0.002
Temperature Effect of Output	%/°F	±0.002
Excitation Voltage, MAX	VDC	20
Zero Balance	%RO	±1.0
Input Resistance, nominal	Ω	350
Output Resistance, nominal	Ω	350
Insulation Resistance (50 VDC)	M Ω	5000
Compensated Temperature Range	°F	+70 to +170
Operating Temperature Range	°F	-65 to +100
Safe Overload	%CAP	150
Load Cell Material		E4340



CONNECTOR	FUNCTION
A	-SIGNAL
B	+EXCITATION
C	-EXCITATION
D	+SIGNAL
E	N/C

FORCE ARROWS INDICATE POSITIVE SIGNAL



TXY
04/24/13