

Orbit® Digital Readouts

Solartron has a range of digital readouts to suit all applications from industrial panel mount to desk top units. Readouts can have from 1 to 31 channels of measurement and can be configured for custom applications.

Product	No of Channels	I/O	Comms	Functions
SI100	1	Yes	Yes	Pre Programmed
SI200	2	Yes	Yes	Pre Programmed
SI400	4	Yes	Yes	Pre Programmed
SI3500	2	Yes	Yes	Pre Programmed
SI5500	31	Yes	Yes	Programmable

All of Solartron readouts work with all of Solartron Digital Transducers and Non-Contact Sensors, the performance of these sensors is not degraded in any way when used with the readouts.

SI100, SI200 and SI400

The SI100 is a single channel, stand alone system, while the SI200 also connects to an Orbit® probe for two channel measurements and the SI400 connects to up to 3 probes.

Features

- ▶ Integral Readout with colour LCD Screen and keypad
- ▶ Set tolerance and process limits via keypad
- ▶ Detachable probe plug on housing for easy installation
- ▶ Replace probe with no calibration or reprogramming
- ▶ Modbus output (RTU) over RS485 or RS232
- ▶ Programmable discrete I/O (4 inputs, 3 outputs)
- ▶ Multiple formulas available for SI200 (A+B, A-B, etc)
- ▶ Available with all Solartron transducers and lasers
- ▶ 24 VDC Power Supply



SI3500 and SI5500 Readouts

Specially designed to work with Solartron Orbit® Digital Transducers, the SI3500 and SI5500 provide the user with solutions for small systems. Both readouts have intuitive menu systems for ease of set up and can be programmed to display readings, alarms, limits and other metrology functions. With discrete I/O and serial interfaces these readouts provide a neat solution to interface to other systems like PLC's.

Features

- ▶ Intuitive menu
- ▶ Accepts up to 31 Orbit® Sensors (SI5500)
- ▶ Suite of Mathematical Functions for each channel
- ▶ Auto colour change for in/out limit range
- ▶ User selectable bar panel or text display
- ▶ Auto course / fine resolution
- ▶ Gauging Mode
- ▶ Peak hold facility
- ▶ Data logging facility
- ▶ RS232 Connectivity
- ▶ 0.01 μm display resolution
- ▶ Available for Digital probes, Linear Encoders, Encoder Input modules and laser sensors



SI5500 can connect to up to 31 Orbit® modules



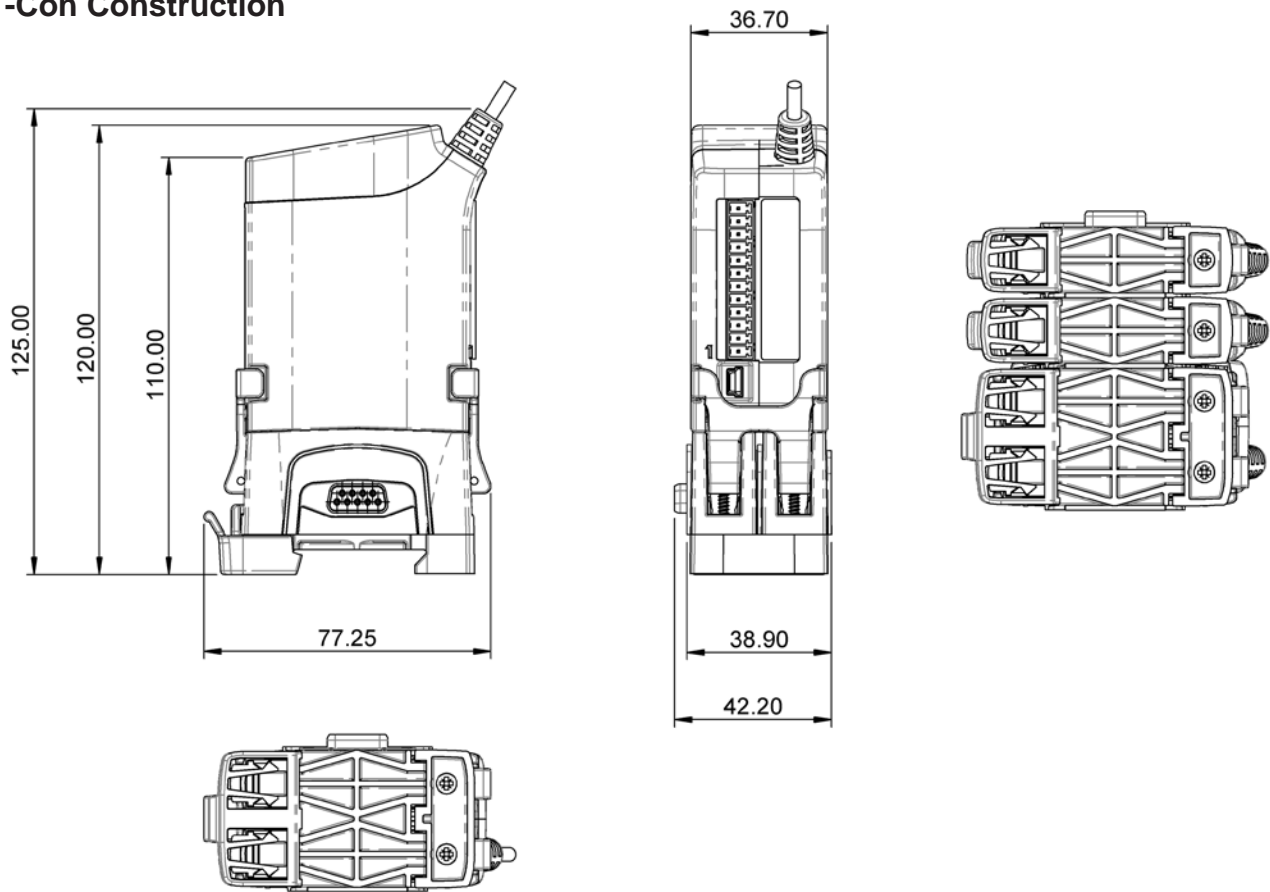
- ▶ Discrete I/O

Technical Specifications

SI100, 200 and 400 Standard Options			x=100, 200, 400				
Actuation	Cable	Type	Description				
Spring Push	Axial	Standard	SlxP/1/S	SlxP/2/S	SlxP/5/S	SlxP/10/S	SlxP/20/S
	Axial	Feather Touch	SlxT/1/S	SlxT/2/S	SlxT/5/S	SlxT/10/S	SlxT/20/S
Pneumatic	Axial	Standard	SlxP/1/P	SlxP/2/P	SlxP/5/P	SlxP/10/P	SlxP/20/S
	Axial	Feather Touch	SlxT/1/P	SlxT/2/P	SlxT/5/P	SlxT/10/P	SlxT/20/S
Performance and Functions							
Measuring Range for Integral Probe (mm)			1	2	5	10	20
Performance			See Digital Probe Specification on Page 16				
No. of Measurement Channels			SI100 Channel A, SI200 Channel A, B, SI400 Channels A, B, C and D				
Measurement Modes		SI100	A, MAXA-MINA				
		SI200	A, B, A+B, A-B, (A+B)/2, MAXA-MINA MAXB-MINB				
		SI400	A, MAXA-MINA, B, MAXB-MINB, C, MAXC-MINC, D, MAXD-MIND				
Measurement Units			mm, inches, mils				
Measurement Types			Absolute, Zero, Preset, Track, (Peak + and Peak - SI100/200)				
LCD Colour Display			Digital Measurement and Analogue Bar				
Keypad			Membrane				
Discrete Inputs			4 User Programmable				
Discrete Outputs			3 User Programmable				
Serial Communications			Modbus RTU or Solartron ASCII protocol				
Performance and Functions			SI3500		SI5500		
Number of Transducers			1 or 2		1 to 31		
Display			1 or 2 Channels		Up to 16 Channels		
Length / Resolution			±xx.xxxxx (mm) ±xx.xxxxx inches		±xx.xxxxx (mm) ±xx.xxxxx inches		
Indications			mm / inch, Lower and Upper Limits, Out of Range, Measurement Type and Mode				
Keypads			Print, Zero, Preset, Peak, Hold Track, Menu				
Measurement Type Data Logging			A, B, A+B, (A+B)/2, (A+B)2, (B+A)/a 10,000 readings via discrete inputs or 1 ms to 24 hour time interval		User programmable with multiple 8 pages of data with 4000 readings per channel per page data triggered by discrete input of timed 1 ms to 25 hours		
Input and Outputs							
Orbit® Interface			Yes		Yes		
Serial ACSII Interface			Yes		Yes		
Inputs			Six isolated		Six isolated - user configurable		
Outputs			Six isolated		Six isolated - user configurable		
Analogue Output			2 User selectable Voltage or 4-20 mA		None		
Power and Environmental							
Operating Voltage			24 VDC ± 10%				
Power for Transducers			5 VDC up to 2 transducers		5 VDC up to 31 transducers		
Sealing Front Panel			IP65				
Sealing Case			IP51				
Sealing Rear Connections			IP51				
Operating Temperature (°C)			5 to 50				
Storage Temperature (°C)			-20 to 50				
EMC			Immunity EN61000-6-2 Emissions EN61000-6-3				
Mechanical							
Mounting			Bench or Panel		Bench or Panel		
Dimensions WxHxD			Without bezel 132x67x160 / With Bezel 144x76x177				

Orbit[®] Dimensions

ACS T-Con Construction



PIM T-Con Construction

