

## SM S-TYPE LOAD CELL (US & METRIC)

### FEATURES & BENEFITS

- Proprietary Interface temperature compensated strain gages
- High performance
- 0.0008%/°F (0.0015%/°C) temp. effect on output
- Lowest creep – 0.025%
- Tension and compression

### SPECIFICATIONS

ACCURACY - (MAX ERROR)				
Nonlinearity – %FS		±0.03		
Hysteresis – %FS		±0.02		
Non-repeatability – %RO		±0.01		
Creep, in 20 min – %		±0.025		
TEMPERATURE				
Compensated Range	°F	0 to +150		
	°C	-15 to +65		
Operating Range	°F	-65 to +200		
	°C	-55 to +90		
Effect on Output – % MAX	°F	±0.0008		
	°C	±0.0015		
Effect on Zero – %RO / °C MAX	°F	±0.0015		
	°C	±0.0027		
ELECTRICAL				
Rated Output – mV/V (Nominal)		3.0		
Zero Balance – %RO		±1.0		
Bridge Resistance – Ohm (Nominal)		350		
Excitation Voltage – VDC MAX		15		
Insulation Resistance – Megohm		> 5000		
MECHANICAL				
Calibration		Tension		
Safe torsion – %CAP		±150		
NATURAL FREQUENCY/DEFLECTION				
lbf	N	Deflection		Natural Frequency (Hertz)
		in	mm	
10	50	0.003	0.08	600
25	100	0.003	0.08	1000
50	200	0.003	0.08	1550
100	500	0.004	0.1	1850
250	1000	0.006	0.15	2350
500	2000	0.006	0.15	2150
1000	5000	0.005	0.13	3350
Material		Aluminum		

### STANDARD CONFIGURATION



Model SM (shown)

### OPTIONS

- Cable length
- Standardized output
- Custom calibration
- Transducer Electronic Data Sheets (TEDS)
- Add connector to cable
- Special temp range

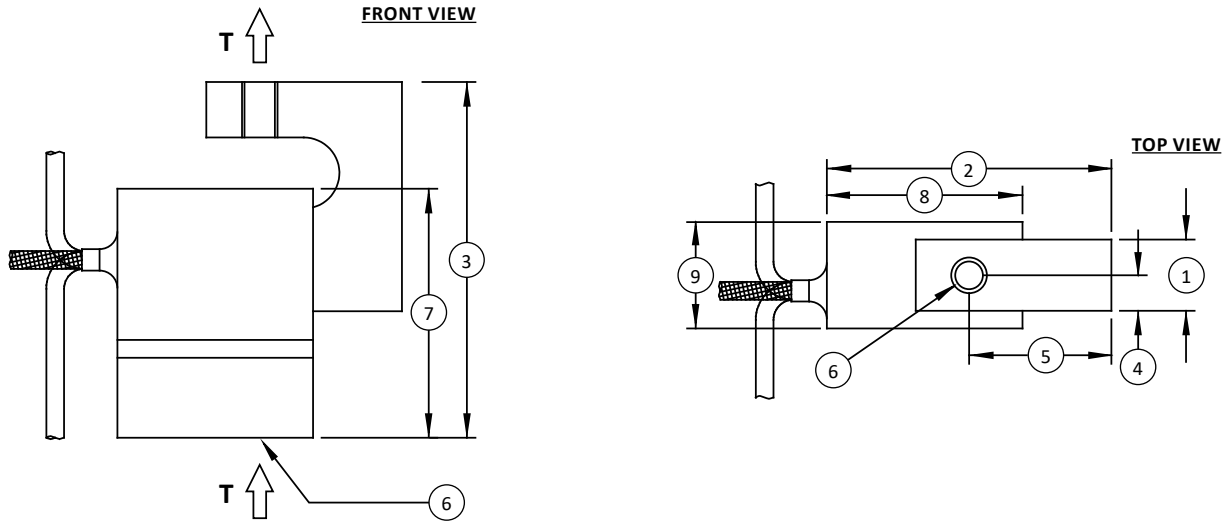
### ACCESSORIES

- Load button
- Mounting hardware
- Instrumentation

### CONNECTOR OPTIONS

- 5 ft (1.5 m) integral cable

## SM S-TYPE LOAD CELL (US & METRIC)



Notes:  
\* T indicates tension load direction / primary axis

### DIMENSIONS

See Drawing	CAPACITY			
	US (lbf)		Metric (N)	
	10,25,50, 100,150,250	50, 100, 200, 500, 1000	500, 1000	2000, 5000
	in	mm	in	mm
(1)	0.50	12.7	1.00	25.4
(2)	2.00	50.8	2.00	50.8
(3)	2.50	63.5	3.00	76.2
(4)	0.25	6.40	0.50	12.7
(5)	1.00	25.4	1.00	25.4
(6)	¼-28 UNF-2B	M6 x 1-6H	½-20 UNF-2B	M12 x 1.75-6H
(7)	1.75	44.5	2.00	50.8
(8)	1.38	35.1	1.94	49.3
(9)	0.75	19.1	1.25	31.8