



Montreal CLEAR™

The bio fireplace that brings indoor and outdoor together as a whole.



NEWS

Built-in bio fireplace for exterior walls

Montreal CLEAR™ is the newest product from Decoflame. CLEAR is a new, exciting, and innovative product created for the interior- and style-conscious homeowner who focuses on exclusive design elements when designing and decorating.

Montreal CLEAR™ is a built-in bio fireplace for the exterior wall, made to bring the indoor out and the outdoor in and connecting the two feelings into one general and effortless atmosphere.

Decoflame designs and produces all bio fireplaces in-house and has therefore the best conditions to ensure the functionality and the Danish quality and standards that they strive to fulfil.

Scandinavian minimalism:

Decoflame takes the classic built-in bio fireplace to a new level with the new Montreal CLEAR™. This model offers you the minimalistic and Scandinavian feeling while uniting the indoor and outdoor and creating a beautiful combination of nature and home in one.

With its clean lines, customizability, and the well-known Danish quality, Montreal CLEAR™ is a bio fireplace perfect for gathering family and friends -whether it is happening outdoor or indoor.

Good design is obvious
Great design is CLEAR



Montreal CLEAR™ seen from the inside



Montreal CLEAR™ seen from the outside



Electronic Burner



Manual Burner

Type of burners:

1. The electronic Denver e-Ribbon Basic

The electronic burner can be adjusted through its control panel and/or through an App. The electronic burner is part of a closed system which is very safe and easy to operate on a daily basis.

With the App, it is possible to see the level of fuel, adjust the intensity of the flames, and use the automatic off timer to turn off the fireplace.

2. The manual burner

The manual burner can be adjusted stepless and is part of a simpler bio fireplace which must be filled with bioethanol before each use and is turned off with a manual slider.

It is not necessary for ventilations or pipe installations for any of the burners. For further information concerning the type of burners, visit: www.decoflame.com



Options:

Montreal CLEAR™ is delivered with an outer double-glazed window and a tempered inner glass. The inner glass has a black ceramic frame imprinted which creates a consistency in the design, provided that one chooses the exterior frame in a corresponding colour.

The standard colour of the casing of the bio fireplace itself is black.

The fireplace can be ordered in a desired length and depth in order to accommodate one's unique projects. However, there is a minimum measurement which must be taken into considerations:

Minimum dept and length for the electronic burner: **300mm/700mm**

Minimum depth and length for the manual burner: **250mm/600mm**

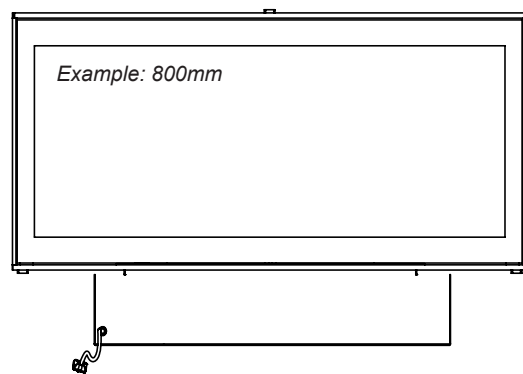
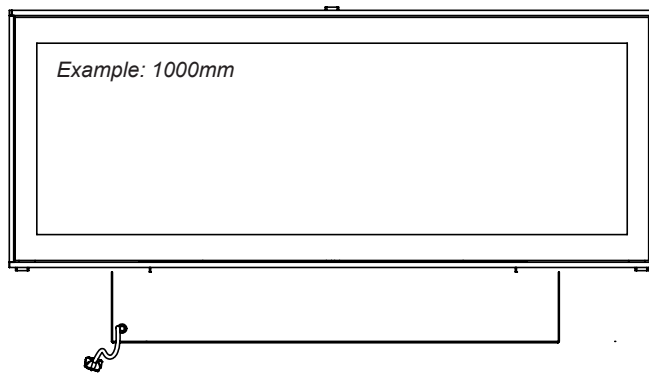
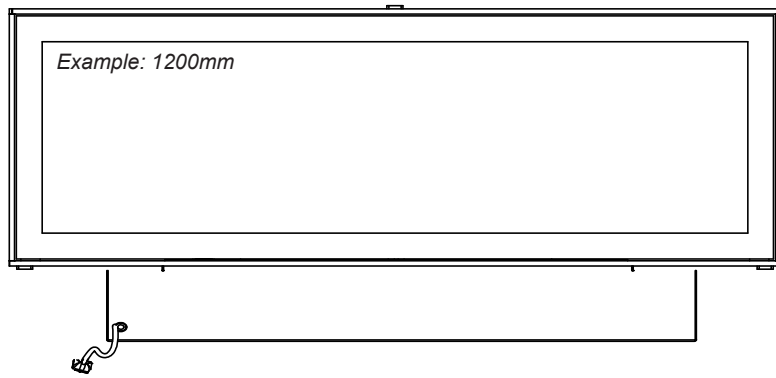
Thermo friendly:

Besides that bio ethanol fireplaces are more environmental friendly than other combustion types, Montreal CLEAR is also approved by the, high, Danish energy requirements.

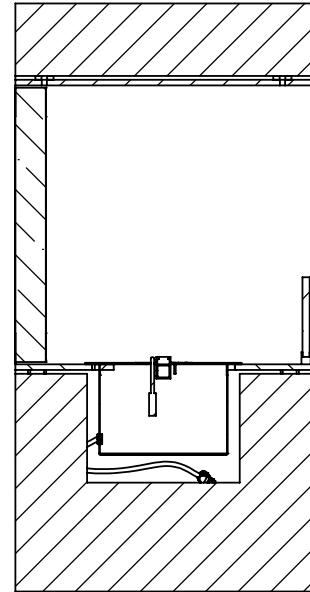
This mean that Montreal CLEAR does not emit a heat loss neither on out-going heat nor in-going cold.

Dimensions for the bio fireplace:

This bio fireplace can be made in a desired length, the minimum length is however 700mm.



Incision from the side of the bio fireplace:



Standard measurements:

- Length: available for special measurements – however, the minimum being 700mm
- Depth: standard 408mm – or made by order
- Casing: 8mm black powder-coated aluminium
- Glass: 42mm hardened double-glazed window
- Burner: electronic or manual
- No need for a chimney or ventilation
- No smoke, soot, or ash

Special colors for the outer frame:

The outer frame for the bio fireplace can be ordered in different RAL-colours if inquired, ensuring that the colour of the frame matches the colour of the windows and door frames of the house in the best possible way. Please contact us for an offer on colours besides from the standard colours listed below:

- RAL-9010
- RAL-9005
- Anodized aluminium



Decoflame ApS | Vang Mark 2, 9380 Vestbjerg, DK | +45 9630 4800 | info@decoflame.dk

decoflame.com | facebook: Decoflame Biofires | Instagram: decoflamecom