

Features

Specifications

Outside Screw, Yoke Type, Rising Stem, Renewable Stainless Steel Working Parts, Straight Pattern. Suitable for Max. Steam Working Pressure 250Psig, Max. Recommended Service Temp 225°C

End Connections

Flanged ends as per BS10 Table - H

Test Pressures

Body 500 Psig Hyd.
Seat 500 Psig Hyd.

Certification

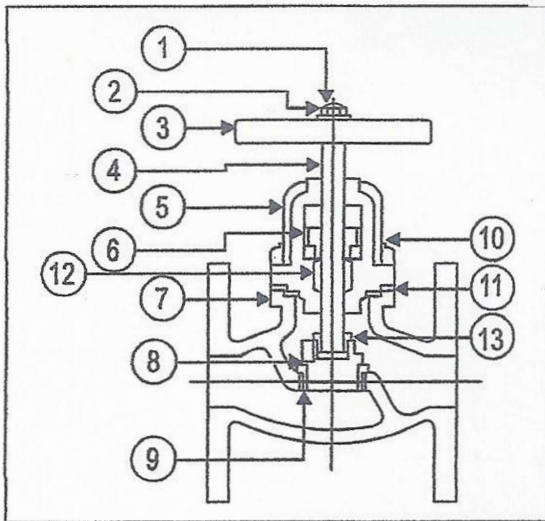
Test Certificate in Form III-C as per IBR is furnished with every supply.



Suitability

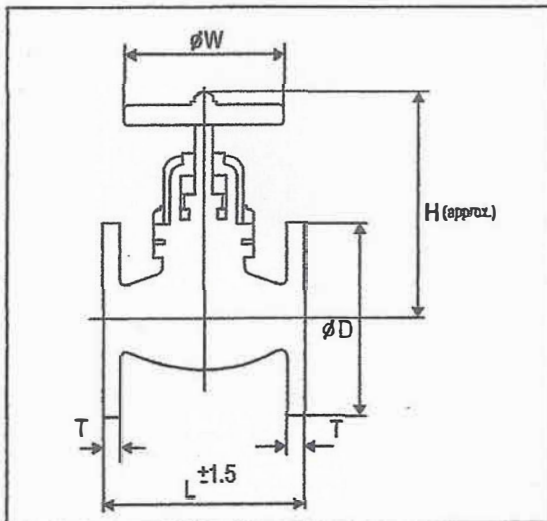


Material Combination



P/No.	Name of Part	Material	Specifications
1	Nut	M.S.	-
2	Washer	M.S.	-
3	Handwheel	C.I.	IBR 86 to 93 Gr.A
4	Stem	S.S.	AISI 410
5	Bonnet	Bronze	IBR 282[a][iv] Gr.B
6	Gland	Bronze	IBR 282[a][iv] Gr.B
7	Body	Bronze	IBR 282[a][iv] Gr.B
8	Disc	S.S.	AISI 410
9	Body Seat Ring	S.S.	AISI 410
10	Studs & Nuts	M.S.	-
11	Gasket	CAF	IS 2712
12	Packing	Graphite	-
13	Disc Nut	Bronze	IBR 282[a][iv] Gr.B

Dimensional Data



Nominal Size	Length	H	W	D	T
15	102	135	80	114.3	9.5
20	114	150	80	114.3	9.5
25	127	165	100	120.7	11.1
32	140	200	127	133.4	11.1
40	152	220	127	139.7	12.7
50	178	250	150	165.1	12.7