

Features

Specifications

Screwed on Bonnet, Inside Screw, Rising Stem, Renewable S.S.Trim with Back Seat Arrangement, Handwheel operated.

End Connections

Flanged Ends as per BS10 Table F.

Test Pressures

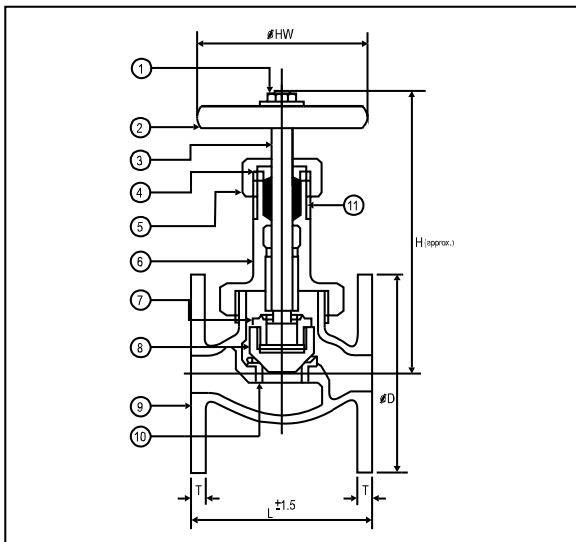
Body - 500 Psig Hyd.
Seat & Back Seat - 250 Psig Hyd.



Suitability

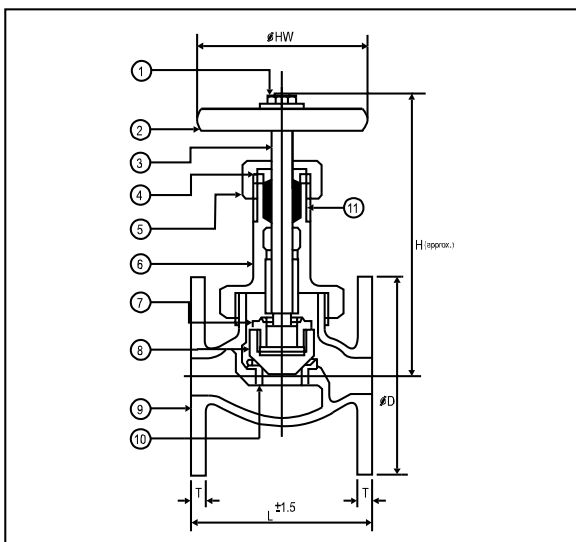


Material Combination



P/No.	Name of Part	Material	Specifications
1	Nut	M.S.	-
2	Handwheel	C.I.	BS1452 Gr.220
3	Stem	S.S.	AISI 410 / AISI 304
4	Gland	Bronze	BS 1400 LG2
5	Gland Nut	Bronze	BS 1400 LG2
6	Bonnet	Bronze	BS 1400 LG2
7	Disc Nut	Bronze	BS 1400 LG2
8	Disc	S.S.	AISI 410 / AISI 304
9	Body	Bronze	BS 1400 LG2
10	Body Seat Ring	S.S.	AISI 410 / AISI 304
11	Gland Packing	Graphite	

Dimensional Data



Nominal Size	L	H	HW	D	T
15	83	136	64	98.3	7.9
20	93	156	71	101.8	7.9
25	115	168	86	120.7	9.5
32	118	180	96	133.4	9.5
40	137	225	118	139.7	11.1
50	185	248	148	165.1	11.1
65	208	285	148	184.2	12.7
80	224	325	197	203.2	14.3
100	243	390	197	228.5	17.5