

SENSOR CUBE

Raman-Cube 1550 nm Multimode

C-1513_Rev.D

Description

- High Isolation Wavelength splitter for demanding applications in Raman- and Fluorescence Spectroscopy
- Utilizes a patented micro-optical packaging technology
- Designed for high reliability based on Telecom Standards (Telcordia)
- Separates Stokes (1650 nm) and Anti-Stokes (1450 nm) into two ports
- The Raman-Filter comes in a flat package of 19 x 15.5 x 9 mm

- Product Description: Raman-Cube 1550 nm Multimode
- Product Code: C-1513
- Fiber jacket code: -J (choose from table)
- Connector Code: -XY (choose from table)
- Revision Level: -Rev.D

(J) Fiber jacket	Code
bare fiber	B
900µm loose tube	L

(X) Common ports (Y) Channel ports ¹	Code
none	0
SC/PC	1
SC/APC	3
LC/PC	5
E2000	7
LC/APC	B

Example Order Code: **C-1513-L-55-Rev. D** for components with loose tube and LC/PC connector on input and output ports.



¹ Connectors on component are only available in combination with 900 µm loose tube jacket (Code: L).

Revision History

No	Description	Date	Created by
A	Initial release	02.12.03	Dr. Ralf Lohrmann
B	removed status flag "preliminary"	04.07.06	Dr. Ralf Lohrmann
C	Fiber jacket option	18.09.13	Christian Zank
D	Connector option	24.06.20	Cornelius Oster

SENSOR CUBE

Raman-Cube 1550 nm Multimode

C-1513_Rev.D

General Specifications

Operating Temperature	-10°C to +70°C	
Storage Temperature	-40°C to +85°C	
Max. optical Power	< 250 mW CW	
Fiber Type	Multi-Mode GI-50	∅ 50 / 125 / 250µm
Package Dimensions	19 x 15.5 x 9 mm ³	
Fiber Jacket	to be defined via order code	
Fiber Pigtail Length	100 ± 5 cm	
Optical Connectors	none	

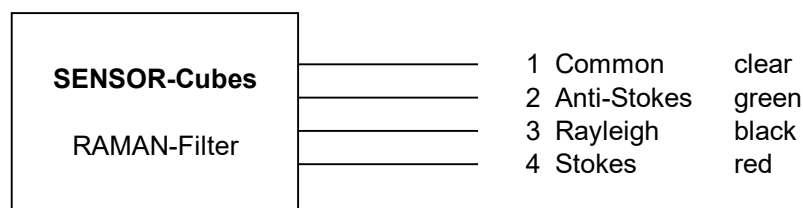
Optical Performance

Center Wavelength (CWL)	Stokes	1650 nm
	Rayleigh	1551 nm
	Anti-Stokes	1450 nm
Channel Passbands	Stokes Band	1650 ± 30 nm
	Rayleigh Band	1551 ± 6.5 nm
	Anti-Stokes Band	1450 ± 30 nm
Insertion Loss ^{1, 2}	all ports	< 2.5 dB
Isolation	Rayleigh / Stokes	> 60 dB
	Rayleigh / A-Stokes	> 60 dB
	Stokes / A-Stokes	> 30 dB

¹ Average insertion loss over passband and operating temperature range without optical connectors.

² Add IL max. 0.2 dB per connector.

Port Configuration

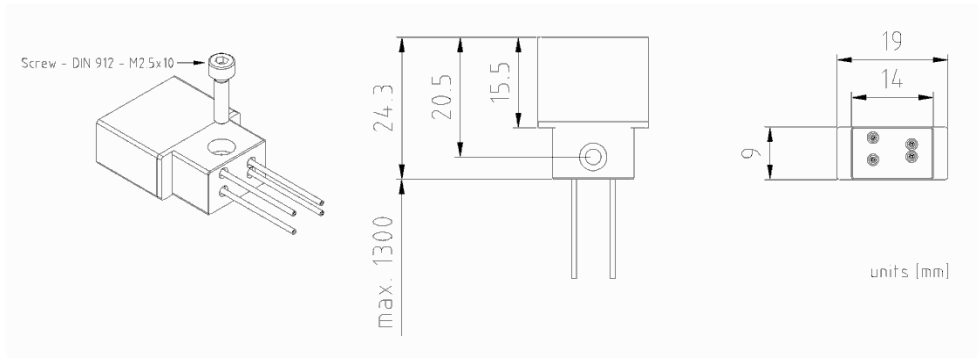


SENSOR CUBE

Raman-Cube 1550 nm Multimode

C-1513_Rev.D

Package Dimensions



The drawing above shows the mechanical dimensions of a Raman-Filter.

For the protection of the bare fiber pigtails, the SENSOR-Cubes are provided with a 3 cm loose tube boot on each port as shown in the photo. The bare fiber pigtails are color-coded to simplify the port identification.



HUBER+SUHNER Cube Optics AG
Eindhoven-Allee 3
55129 Mainz, Germany

+49-6131-4995-100
info.cubo@hubersuhner.com

www.hubersuhner.com
www.cubeoptics.com