

COLOR CUBE CWDM BANDSPLITTER + 3dB SPLITTER

C-2812_Rev.A

Description

- Device works as a multiplexer AND demultiplexer
- CWDM wavelength ranges in accordance with ITU standard
- Micro-hybrid design in a sealed metal housing
- Very small housing dimensions of only 19 x 15.5 x 9 mm
- RoHS compliant per EU Directive 2002/95/ECTested in accordance with Telcordia GR-1209/1221

- Product Description: CWDM mux or demux 4 channel
- Product Code: C-2812
- Fiber Length Code: -Z (choose from table)
- Connector Code: -XY (choose from table)
- Revision Level: -Rev.A

Example Order Code: **C-2812-B-55-Rev. A** for a CWDM Bandsplitter 1m fiber length and LC/PC connectors on all ports.



(Z) Fiber length	Code
50 +/- 5 cm	A
100 +/- 5 cm	B

(X) Common ports (Y) Channel ports	Code
none	0
SC/PC	1
FC/PC	2
SC/APC	3
FC/APC	4
LC/PC	5
MU/PC	6
E2000	7
E2000/HRL	8
ST/PC	9
LC/PC ferrule	C

Revision History

No	Description	Date	Created by
A	Initial <i>release</i>	19.02.16	Carsten Marheine

COLOR CUBE CWDM BANDSPLITTER + 3dB SPLITTER

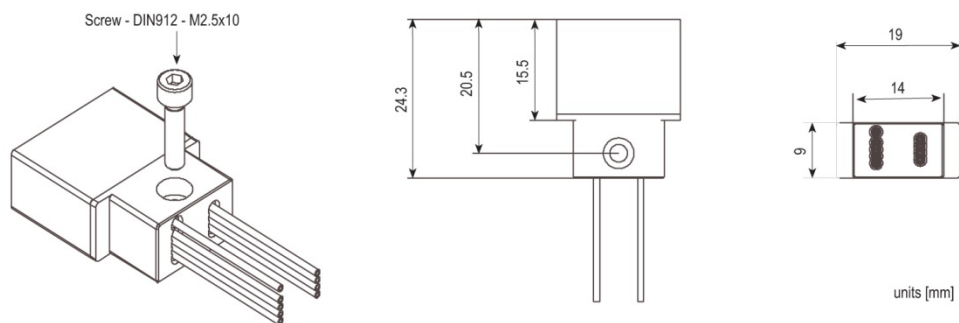
C-2812_Rev.A

Specifications

Operating Wavelength Range	1460-1620 nm
Operating Channels ¹	1260-1457.5 nm / 1260-1457.5 nm / 1464.5-1611 nm / 1464.5-1620 nm
Optical Bandwidth	13 nm
Insertion Loss ²	< 5.5 dB
Isolation	> 24 dB
Return Loss	> 45 dB
Directivity	> 50 dB
Polarization Dependent Loss	< 0.2 dB
Max. optical power	< 250 mW
Operating Temperature	-40°C to +85°C
Storage Temperature	-40°C to 85°C (when removed from plastic package)
Package Dimensions	19 x 15.5 x 9 mm ³
Fiber Type	SMF-28
Fiber Jacket	900 µm loose tube
Fiber Length	to be defined by order code
Optical Connectors	to be defined by order code

Package Dimensions

Based on COLOR CUBE standard package



(Only 5 fibers are used.)

HUBER+SUHNER Cube Optics AG
is certified according to ISO 9001.

WAIVER

It is exclusively in written agreements that we provide our customers with warrants and representations as to the technical specifications and/or the fitness for any particular purpose. The facts and figures contained herein are carefully compiled to the best of our knowledge, but they are intended for general informational purposes only.

HUBER+SUHNER Cube Optics AG
Robert-Koch-Strasse 30
55129 Mainz
Germany

phone: +49-6131-69851-0
fax: +49-6131-69851-79
sales.cubo@hubersuhner.com

www.hubersuhner.com
www.cubeoptics.com

¹ Different operating channels available on request, please contact HUBER+SUHNER Cube Optics AG.

² For all ports: max. insertion loss over channel bandwidth, within operating temperature range and all states of polarization but without optical connectors.