

Coarse Wavelength Division Multiplexer – CWDM mux or demux, 8 channels with upgrade, single mode

Features

- Device works as a multiplexer, demultiplexer or in a bidirectional single fiber link
- Multiplexer and Demultiplexer paired for lowest link loss
- Micro-hybrid design in a sealed metal housing
- Epoxy free optical path
- RoHS compliant per EU Directive 2002/95EC
- UL 94 V0 flammability rating
- Tested in accordance with Telcordia GR-1209/1221, uncontrolled environment
- Fit for outside plant deployment

Applications

- Combines / separates 8 channels with a 20 nm spacing
- Includes upgrade port, un-muxed signals passed through
- Metro Core, Metro Access, Metro Enterprise, Cable TV, 3G Telephony (UMTS), Datacomm, WAN, RFTS, Sensor Applications
- Analog and digital transmission systems

Specifications

Parameters	Coarse Wavelength Division Multiplexer – mux/demux (all values refer to single mode) (all values refer to single mode/multi mode: see separate datasheet)		
Channels	8+1		
Center Wavelength [nm]	8 channels with in one band		
Band 1 (red band)	1471 / 1491 / 1511 / 1531 / 1551 / 1571 / 1591 / 1611		
Band 2 (blue band)	1271 / 1291 / 1311 / 1331 / 1351 / 1371 / 1391 / 1411 / 1431 / 1451		
Optical Bandwidth	> 13 nm (higher bandwidth on request)		
Upgrade Port	1310+/-50nm	C-8B	
	1260nm...1458.5nm	C-8F	
	1464.5nm...1617.5nm	C-8G	
Insertion Loss *		Standard	Premium
	Mux	< 2.5 dB	< 2.2 dB
	Demux	< 2.7 dB	< 2.4 dB
Isolation **		Mux	Demux
	CWDM ports	> 13 dB	> 30 dB (adj.) / > 40 dB
	UG port	> 15 dB	> 40 db
Return Loss *	> 45 dB (50 dB typ.)		
Directivity (for mux)	> 50 dB		
Polarization Dependent Loss	< 0.25 dB		
Max. optical power	250 mW		
Operating Temperature	0°C to 70°C (-40°C to 85°C on request)		
Storage Temperature	-40°C to 85°C (when removed from plastic package)		
Package Dimensions	Mux: 19 x 15.5 x 9 mm ³ / Demux: 22 x 15.5 x 10.5 mm ³		

* With passband, valid over full temperature range and at all states of polarization but without connector losses.

** Valid over full temperature range and at all wavelengths across the channel.

Additional components according to your specifications on request! Please contact us for further details.

Coarse Wavelength Division Multiplexer – CWDM mux or demux, 8 channels with upgrade, single mode

Ordering Information

Please select an option from each configuration table and write the corresponding codes in the applicable boxes to create the part number.

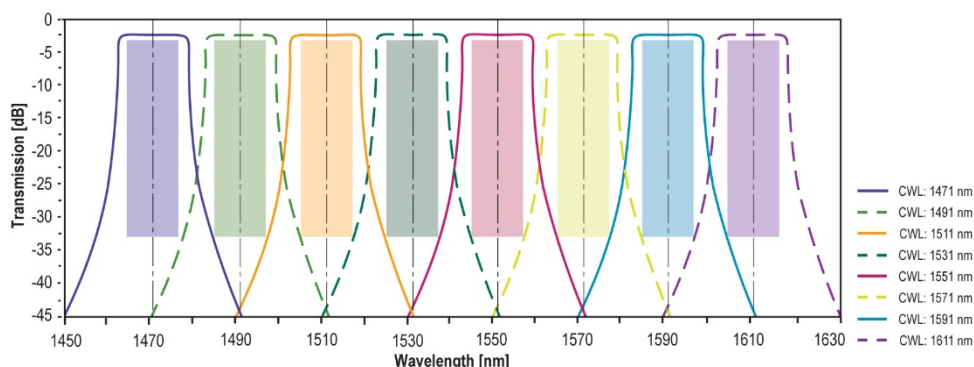
Ordering example: **C-8F-M-B-S-S-12-1-B-15**

C		-	-	-	-	-	-	1	2	-	-	-	-
no. of channels	code	mux or demux code		grade		code		Fiber length		code		Connector in/out* code	
8	8D	mux M		Standard		S		0.5 m	A	none		0	
8+Monitor	8D	demux D		Premium		P		1.0 m	B	SC/PC		1	
8ch red + 1310	8B							0.3 m	T	FC/PC		2	
8ch red + UG (Skip 0)*	8F							0.35 m	U	SC/APC**		3	
8ch blue + UG (Skip 0)*	8G							0.4 m	V	FC/APC**		4	
										LC/PC		5	
										MU/PC		6	
										E2000		7	
										E2000/HR/L**		8	
										ST/PC		9	
* no. of skipped ITU channels													
		Center wavelengths [nm]		code				fiber type an packaging		code			
		1271 / 1291 / 1311 / 1331 / 1351 / 1371 / 1391 / 1411 / 1431 / 1451		A				Corning SMF-28™					
		1471 / 1491 / 1511 / 1531 / 1551 / 1571 / 1591 / 1611		B				(9,125,250 μm) 900 μm loose tube		1			
		1271 / 1291 / 1311 / 1331 / 1351 / 1371 / 1391 / 1411		C				Corning SMF-28™					
		1271 / 1291 / 1311 / 1331 / 1351 / 1371 / 1391 / 1411 / 1431		D				(9,125,250 μm) 250 μm coating		2			

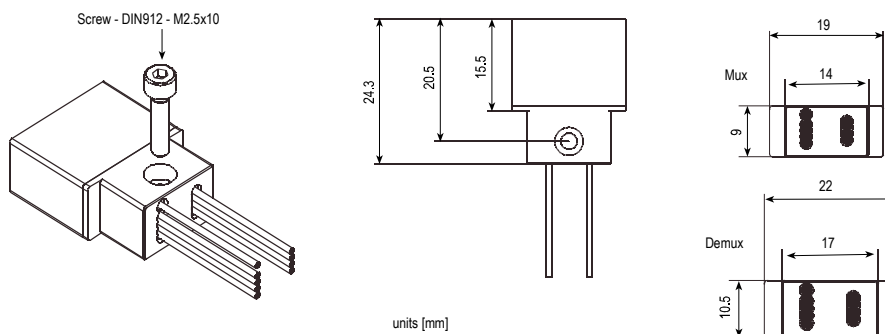
connectors only available in combination with loose tube fiber protection
* device regarded as demultiplexer
** 8° angular polishing

Further configuration on request!

Typical Spectral Performance of 8 Channel Multiplexer



Standard 8 channel housing



HUBER+SUHNER Cube Optics AG
Eindhoven-Allee 3
55129 Mainz, Germany

+49-6131-4995-100
sales.cubo@hubersuhner.com

www.hubersuhner.com
www.cubeoptics.com