

PLC Splitter for PON Applications 1xN

Product Features

- 1xN splitter based on planar lightwave circuit (PLC) technology
- Divides single optical input power into multiple optical outputs (power splitter)
- Superior optical performance such as low insertion loss and low polarization dependent loss
- Wide operating wavelength and wide operating temperature
- High reliability and stability, Telecordia GR-1221/1209 compliant
- Compact design, fanout and connectors available
- Premium specifications available upon request

Applications

- FTTX Deployments
- PON Networks
- CATV Links
- Optical Signal Distribution

Specifications

Parameter		1x2	1x4	1x6	1x8	1x12	1x16	1x32	1x64
Ports									
Operating Wavelength		1260 ~ 1625 nm							
Insertion Loss (at 23 °C) ¹⁾	Max.	3.5 dB	6.8 dB	9.3 dB	10.1 dB	12.3 dB	13.2 dB	16.7 dB	20.2 dB
Insertion Loss (-40~85 °C) ^{2) 3)}	Max.	3.7 dB	7.1 dB	9.6 dB	10.4 dB	12.6 dB	13.5 dB	17.0 dB	20.5 dB
Channel Uniformity	Max.	0.6 dB	0.6 dB	1.0 dB	1.0 dB	1.1 dB	1.1 dB	1.5 dB	1.8 dB
Polarization Dependent Loss	Max.	0.2 dB	0.2 dB	0.3 dB	0.2 dB	0.3 dB	0.3 dB	0.3 dB	0.3 dB
Return Loss		>50 dB							
Directivity		>55 dB							
Max. optical Power		300 mW							
Operating Temperature		-40~85 °C							
Storage Temperature		-40~85 °C							
Package Dimensions (WxHxL)									
Tube (+fan-out)	mm	4x4x40	4x4x40	4x4x40	4x4x40	5x4x45	5x4x45	7x4x60	12x4x60
Small size box	mm	7x4x60	7x4x60	7x4x60	7x4x60	19x6x100	19x6x100	19x6x100	40x6x120
Cassette	mm	100x80x10	100x80x10	100x80x10	100x80x10	120x80x18	120x80x18	120x80x18	141x115x18

¹⁾ Typical value

²⁾ Valid over full temperature range and all states of polarization but without connectors losses.

³⁾ Premium spec available upon request

PLC Splitter for PON Applications 1xN

Ordering Information

CP - - - - - - 0 2 - - - - -

No. of ports	code
1x2	102
1x4	104
1x8	108
1x6	106
1x12	112
1x16	116
1x32	132
1x64	164
2x4	204
2x8	208
2x16	216
2x32	232

Input fiber length	code
0.5 m	A
1.0 m	B
1.5 m	C
2.0 m	D

Grade	code
Standard	S

Housing	code
Tube (+fan-out)	T
Small size box	B
Cassette	C

Input fiber type	code
Corning SMF-28™ (9,125,250 μm) 900 μm loose tube	1
Corning SMF-28™ (9,125,250 μm) 250 μm coating	2
Corning SMF-28™ 2.0 mm cable	A

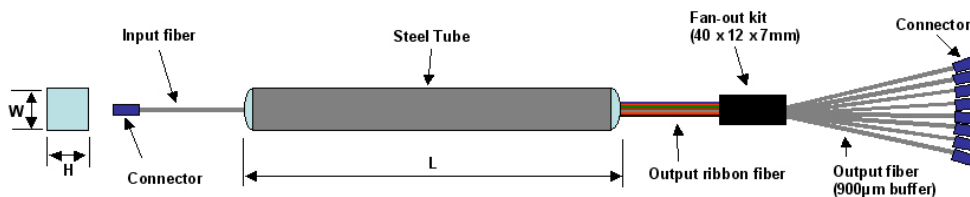
Output fiber length	code	Connector in/out	code
Box, cassette:		none	0
0.5m	0A	SC/PC	1
1.0m	0B	SC/APC**	3
1.5m	0C	LC/PC	5
2.0m	0D	MU/PC	6
Tube with fan-out:		E2000	7
0.5m ribbon / 0.5m 900μm	AA	E2000HRL**	8
0.5m ribbon / 1.0m 900 μm	AB	LC/APC	B
1.0m ribbon / 0.5m 900μm	BA		
1.0m ribbon / 1.0m 900μm	BB		

Tube, ribbon fiber only:	code
0.5m ribbon	AO
1.0m ribbon	BO
1.5m ribbon	CO
2.0m ribbon	DO
Deribbonized bare fiber with ribbon part	
2.0m with 10cm ribbon	ZZ

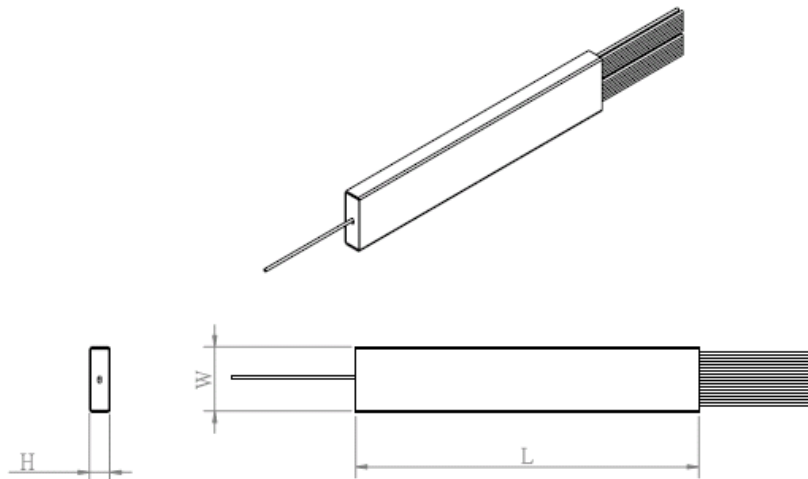
Output fiber type	code
Corning SMF-28™ (9,125,250 μm) 900 μm loose tube	1
Corning SMF-28™ (9,125,250 μm) 250 μm coating	2
Corning SMF-28™ 2.0 mm cable (only for cassette type)	A

Dimensions

Tube (+ fan-out)



Small size box



HUBER+SUHNER Cube Optics AG
Eindhoven-Allee 3
55129 Mainz, Germany

+49-6131-4995-100
sales.cubo@hubersuhner.com

www.hubersuhner.com
www.cubeoptics.com