

PLC Splitter for PON Applications 2XN

Product Features

- 2xN splitter based on planar lightwave circuit (PLC) technology
- Divides single optical input power into multiple optical outputs (power splitter)
- Superior optical performance such as low insertion loss and low polarization dependent loss
- Wide operating wavelength and wide operating temperature
- High reliability and stability, Telecordia GR-1221/1209 compliant
- Compact design, fanout and connectors available
- Premium specifications available upon request

Applications

- FTTX Deployments
- PON Networks
- CATV Links
- Optical Signal Distribution

Specifications

| Parameter | | 2x4 | 2x8 | 2x16 | 2x32 |
|---|------|----------------|-----------|-----------|-----------|
| Ports | | 2x4 | 2x8 | 2x16 | 2x32 |
| Operating Wavelength | | 1260 ~ 1650 nm | | | |
| Insertion Loss (at 23 °C) ¹⁾ | Max. | 7.2 dB | 10.7 dB | 14.0 dB | 17.2 dB |
| Insertion Loss (-40~85 °C) ^{2) 3)} | Max. | 7.5 dB | 11.0 dB | 14.3 dB | 17.5 dB |
| Channel Uniformity | Max. | 1.3 dB | 1.6 dB | 1.8 dB | 2.3 dB |
| Polarization Dependent Loss | Max. | 0.3 dB | 0.3 dB | 0.4 dB | 0.4 dB |
| Return Loss | | > 50 dB | | | |
| Directivity | | > 55 dB | | | |
| Max. optical Power | | 300 mW | | | |
| Operating Temperature | | -40~85 °C | | | |
| Storage Temperature | | -40~85 °C | | | |
| Package Dimensions (W x H x L) | | | | | |
| Tube (+fan-out) | mm | 4x4x40 | 4x4x40 | 5x4x45 | 7x4x60 |
| Small size box | mm | 7x4x60 | 7x4x60 | 19x6x100 | 19x6x100 |
| Cassette | mm | 100x80x10 | 100x80x10 | 120x80x18 | 120x80x18 |

¹ Typical value.

² Valid over full temperature range and all states of polarization but without connectors losses.

³ Premium spec available upon request.

PLC Splitter for PON Applications 2XN

Ordering Information

CP - - - - - - - 0 2 - - - -

| no. of channels | code |
|-----------------|------|
| 1x2 | 102 |
| 1x4 | 104 |
| 1x8 | 108 |
| 1x6 | 106 |
| 1x12 | 112 |
| 1x16 | 116 |
| 1x32 | 132 |
| 1x64 | 164 |
| 2x4 | 204 |
| 2x8 | 208 |
| 2x16 | 216 |
| 2x32 | 232 |

| Input fiber length | code |
|--------------------|------|
| 0.5 m | A |
| 1.0 m | B |
| 1.5 m | C |
| 2.0 m | D |

| Grade | code |
|----------|------|
| Standard | S |

| Output fiber length | code |
|--------------------------|------|
| Box, cassette: | none |
| 0.5m | 0A |
| 1.0m | 0B |
| 1.5m | 0C |
| 2.0m | 0D |
| Tube with fan-out: | |
| 0.5m ribbon / 0.5m 900µm | AA |
| 0.5m ribbon / 1.0m 900µm | AB |
| 1.0m ribbon / 0.5m 900µm | BA |
| 1.0m ribbon / 1.0m 900µm | BB |
| Tube, ribbon fiber only: | |
| 0.5m ribbon | A0 |
| 1.0m ribbon | B0 |
| 1.5m ribbon | C0 |
| 2.0m ribbon | D0 |

| Connector in/out | code |
|------------------|------|
| none | 0 |
| SC/PC | 1 |
| SC/APC** | 3 |
| LC/PC | 5 |
| MU/PC | 6 |
| E2000 | 7 |
| E2000/HRL** | 8 |
| LC/APC | B |

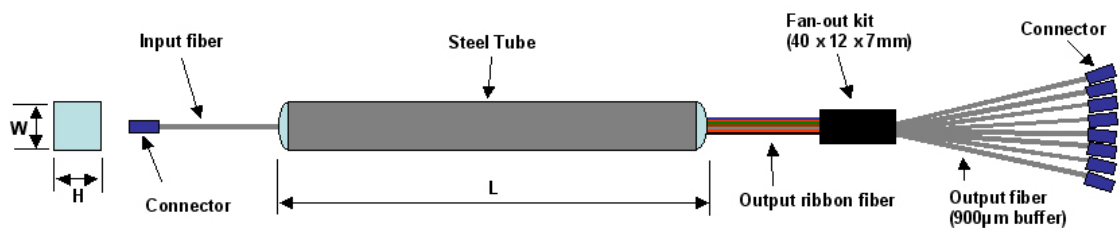
| Housing | code |
|-----------------|------|
| Tube (+fan-out) | T |
| Small size box | B |
| Cassette | C |

| Input fiber type | code |
|--|------|
| Corning SMF-28™ (9,125,250 µm) 900 µm loose tube | 1 |
| Corning SMF-28™ (9,125,250 µm) 250 µm coating | 2 |
| Corning SMF-28™ 2.0 mm cable (only for 1 input fiber) | A |

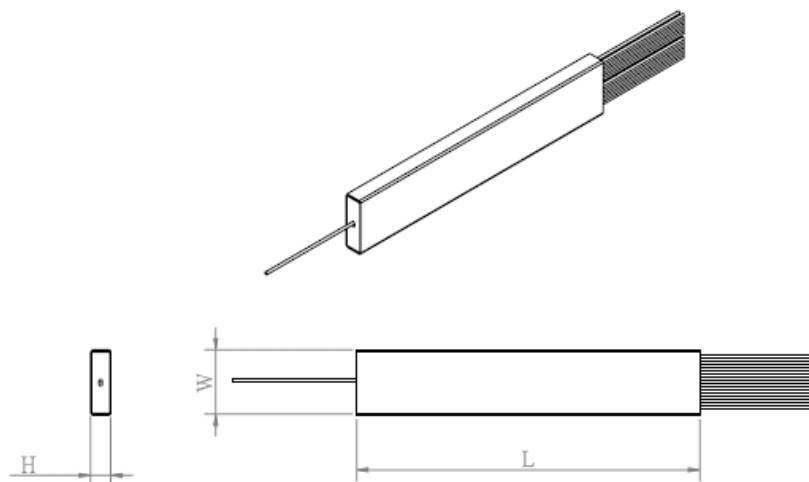
| Output fiber type | code |
|--|------|
| Corning SMF-28™ (9,125,250 µm) 900 µm loose tube | 1 |
| Corning SMF-28™ (9,125,250 µm) 250 µm coating | 2 |
| Corning SMF-28™ 2.0 mm cable (only for cassette type) | A |

Dimensions

Tube (+ fan-out)



Small size box, cassette



HUBER+SUHNER Cube Optics AG
Eindhoven-Allee 3
55129 Mainz, Germany

+49-6131-4995-100
sales.cubo@hubersuhner.com

www.hubersuhner.com
www.cubeoptics.com