

## Electro-mechanical switch, 2x2, single mode and multi mode

### Features

- Compact size (8.9x18x39.5 mm)
- Built-in position monitor
- RoHS compliance



### Applications

- Optical network protection, configuration and restoration
- Reconfigurable add/drop multiplexers
- Signal loopback
- Transmission equipment protection

### Description

Cubo's 2x2 Optical Switches are based on opto-mechanical technology with proven reliability. With the state-of-the-art technology, the performance is optimized for a wide range of fiber-optic applications.

Design is based on worldwide telecommunications, data communications, system monitoring and computer testing requirements.

Fully complied with Telcordia GR-1073-CORE and complied with applicable items of Telcordia GR-1221-CORE standard.

### Technical Specifications

Electro-Optical Characteristics		
Parameter	single mode	multi mode
Wavelength Range (nm)	1280 - 1340 1520 - 1625	850 / 1300
Insertion Loss (dB), typ.	≤ 0.6	
Insertion Loss (dB), max.	≤ 1.0	
Back Reflection (dB)	≤ -50	-
PDL (dB)	≤ 0.1	-
Cross-Talk (dB)	≤ -80	
Switching Time (ms)	≤ 10.0	
Repeatability (dB)	± 0.05	

Mechanical & Environmental	
Parameter	2x2
Operating Temperature Range (°C)	- 5 - 70
Humidity (%RH)	5 - 85
Durability (cycles)	> 10 <sup>7</sup>
Dimensions (HmmxWmmxLmm)	8.9x18x39,5
Weight (g)	25

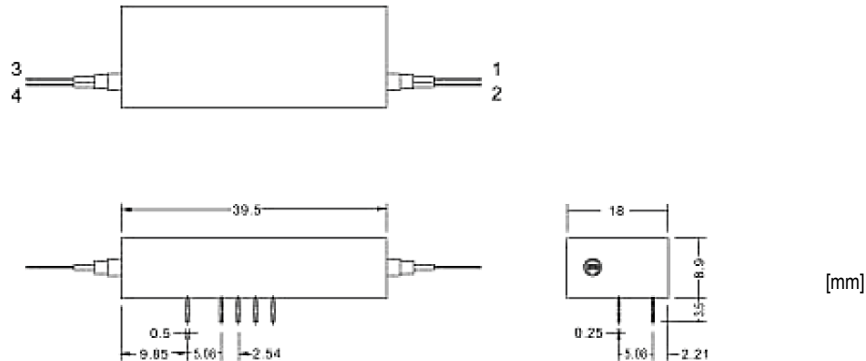
1. All Specifications referenced without connectors
2. When + 5V DC signal is applied to only coil

Electrical Characteristics		
Parameter	Latching	Non-Latching
Coil Resistance (Ω)	125 ( ±10%)	64.3 (±10%)
Operating Current (mA), typ	40	78
Operating Voltage (V), typ.	5.0	
Operating Voltage (V), range	4.5 - 5.5	
Power-Consumption (W), typ *	0.2	0,4

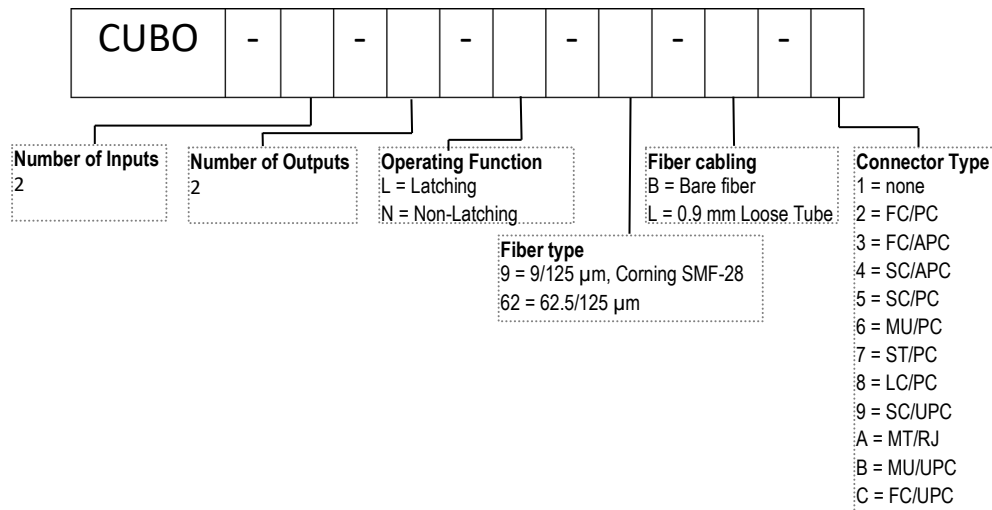
\* When + 5V DC signal is applied to only coil

Electro-mechanical switch, 2x2,  
single mode and multi mode

## Outline Drawing



## Ordering Information



This specification might be changed without notice.

HUBER+SUHNER Cube Optics AG  
is certified according to ISO 9001.

### WAIVER

It is exclusively in written agreements that we provide our customers with warrants and representations as to the technical specifications and/or the fitness for any particular purpose. The facts and figures contained herein are carefully compiled to the best of our knowledge, but they are intended for general informational purposes only.

HUBER+SUHNER Cube Optics AG  
Eindhoven-Allee 3  
55129 Mainz, Germany

+49-6131-4995-100  
sales.cubo@hubersuhner.com

www.hubersuhner.com  
www.cubeoptics.com