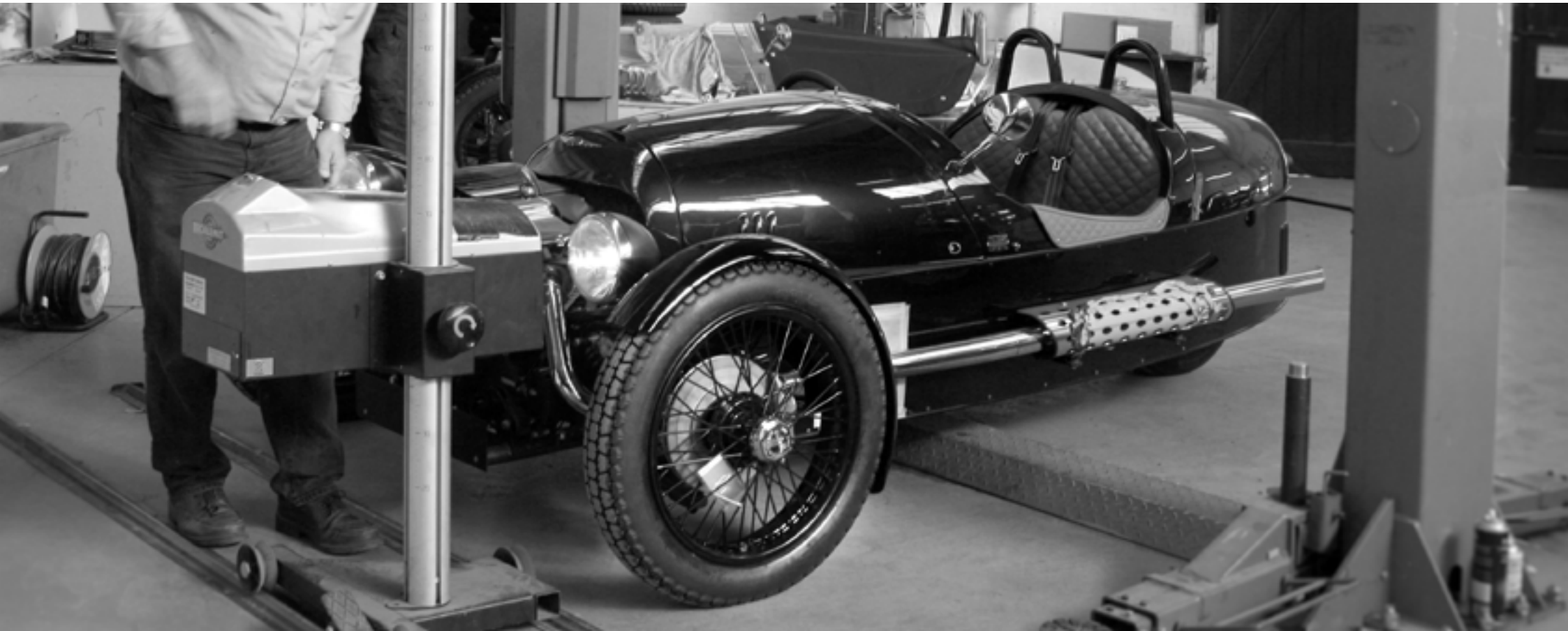




THREE WHEELER PARTS BOOK

VERSION 6.5



THREE WHEELER PARTS BOOK

VERSION 6.5

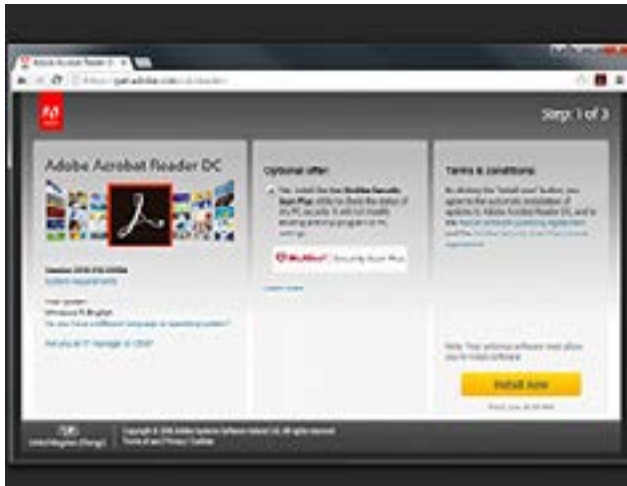
SEPTEMBER 2018

All part numbers and descriptors are correct at the time of publication but may be subject to change.
Please note, due to the nature of production, individual assemblies may vary.

Please respect the environment, do you need to print this document?

Morgan Motor Company,
Pickersleigh Road,
Malvern,
Worcestershire,
WR14 2LL,
+44 (0)1684 573104

HOW TO USE THIS BOOK



Download the latest version of **Adobe Reader** to make the most of the latest features and to gain access to the powerful new document search engine.



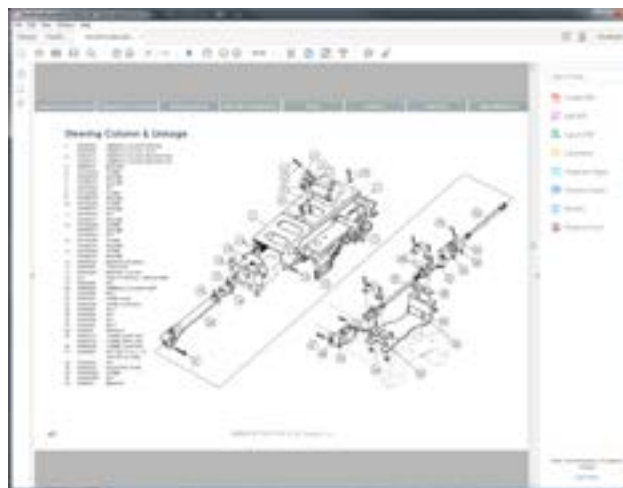
Open the Parts Book.
Click on the magnifying glass icon.
A new pallet appears.
In the pallet type a key word to search.
Click the 'Next' button.



The first instance of your key word is displayed.
Keep clicking the 'Next' button until the required part is found.
For general searches, simply click on the navigation tabs at the top of the page.



Individual part numbers can be revealed by hovering over item numbers...



...while a full list is usually found on the next page.



On pages containing a full list, items can be selected, copied and pasted into another document.

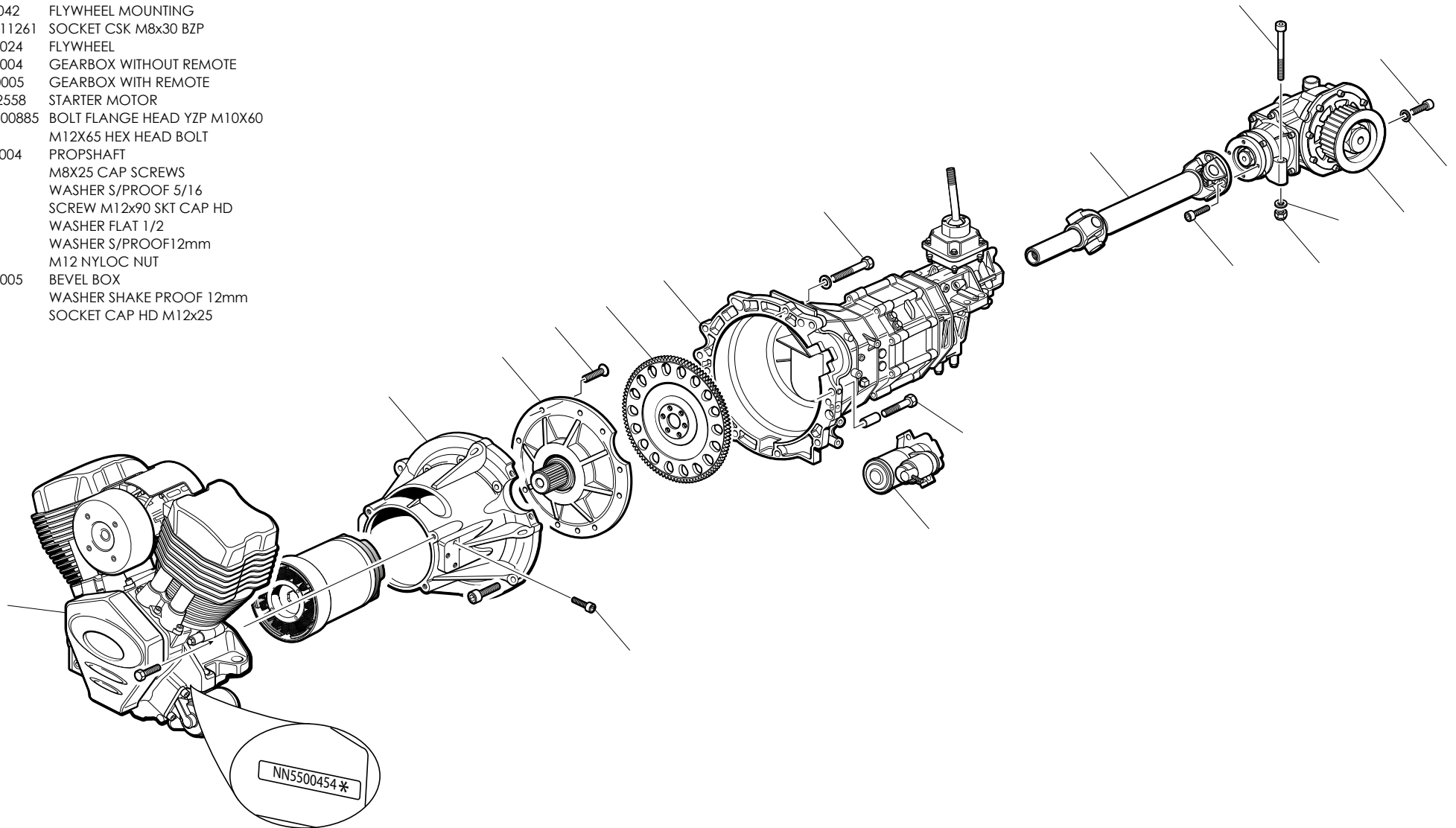


ENGINE AND TRANSMISSION

THREE WHEELER PARTS BOOK Version 6.5

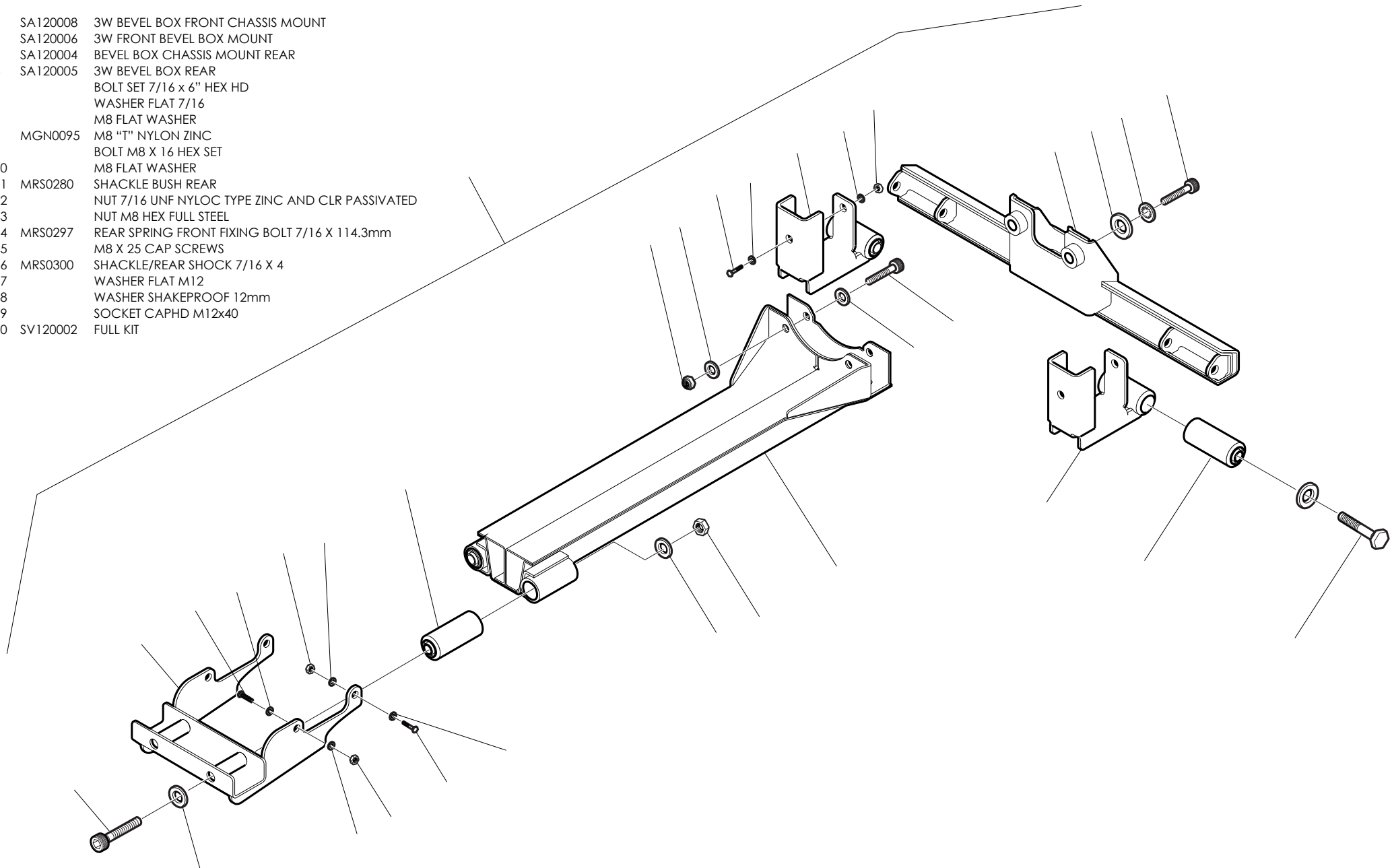
Transmission 2012-2014

- | | | |
|----|----------|-------------------------------------|
| 1 | U120022 | X-WEDGE ENGINE FULLY POLISHED & KIT |
| | U120023 | X121 X-WEDGE BLACK |
| 2 | T120041 | CENTRE DRIVE BELL |
| 3 | | SCREW SOCKET CAP HD M10X25 |
| 4 | T120042 | FLYWHEEL MOUNTING |
| 5 | MGS11261 | SOCKET CSK M8x30 BZP |
| 6 | U120024 | FLYWHEEL |
| 7 | U120004 | GEARBOX WITHOUT REMOTE |
| | A120005 | GEARBOX WITH REMOTE |
| 8 | MEE2558 | STARTER MOTOR |
| 9 | MGB00885 | BOLT FLANGE HEAD YZP M10X60 |
| 10 | | M12X65 HEX HEAD BOLT |
| 11 | Y120004 | PROPSHAFT |
| 12 | | M8X25 CAP SCREWS |
| | | WASHER S/PROOF 5/16 |
| 13 | | SCREW M12x90 SKT CAP HD |
| 14 | | WASHER FLAT 1/2 |
| | | WASHER S/PROOF12mm |
| 15 | | M12 NYLOC NUT |
| 16 | U120005 | BEVEL BOX |
| 17 | | WASHER SHAKE PROOF 12mm |
| 18 | | SOCKET CAP HD M12x25 |



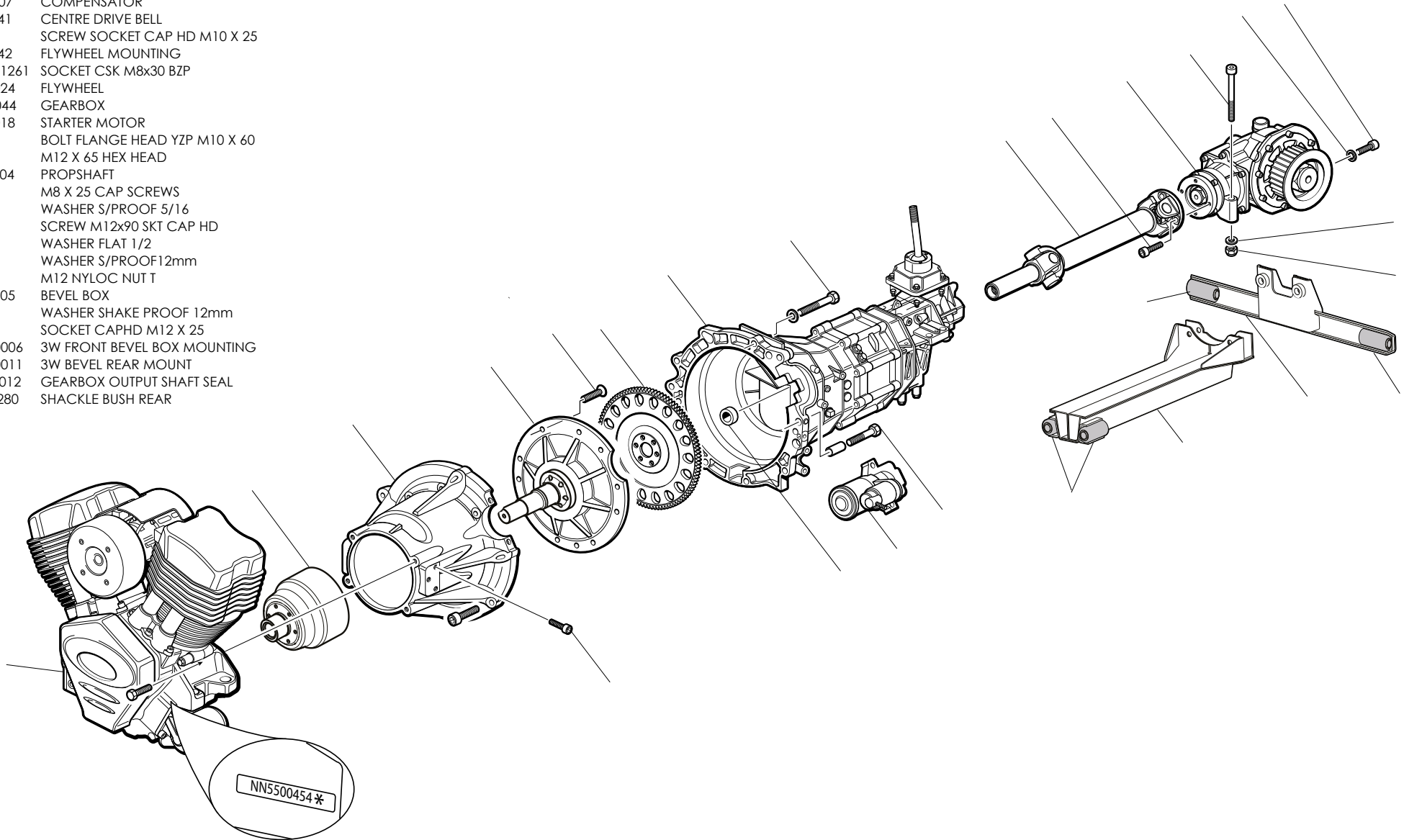
Bevel Box Retro Fit. Pre Jan 2014

- | | | |
|----|----------|---|
| 1 | SA120008 | 3W BEVEL BOX FRONT CHASSIS MOUNT |
| 2 | SA120006 | 3W FRONT BEVEL BOX MOUNT |
| 3 | SA120004 | BEVEL BOX CHASSIS MOUNT REAR |
| 4 | SA120005 | 3W BEVEL BOX REAR |
| 5 | | BOLT SET 7/16 x 6" HEX HD |
| 6 | | WASHER FLAT 7/16 |
| 7 | | M8 FLAT WASHER |
| 8 | MGN0095 | M8 "T" NYLON ZINC |
| 9 | | BOLT M8 X 16 HEX SET |
| 10 | | M8 FLAT WASHER |
| 11 | MRS0280 | SHACKLE BUSH REAR |
| 12 | | NUT 7/16 UNF NYLOC TYPE ZINC AND CLR PASSIVATED |
| 13 | | NUT M8 HEX FULL STEEL |
| 14 | MRS0297 | REAR SPRING FRONT FIXING BOLT 7/16 X 114.3mm |
| 15 | | M8 X 25 CAP SCREWS |
| 16 | MRS0300 | SHACKLE/REAR SHOCK 7/16 X 4 |
| 17 | | WASHER FLAT M12 |
| 18 | | WASHER SHAKEPROOF 12mm |
| 19 | | SOCKET CAPHD M12x40 |
| 20 | SV120002 | FULL KIT |



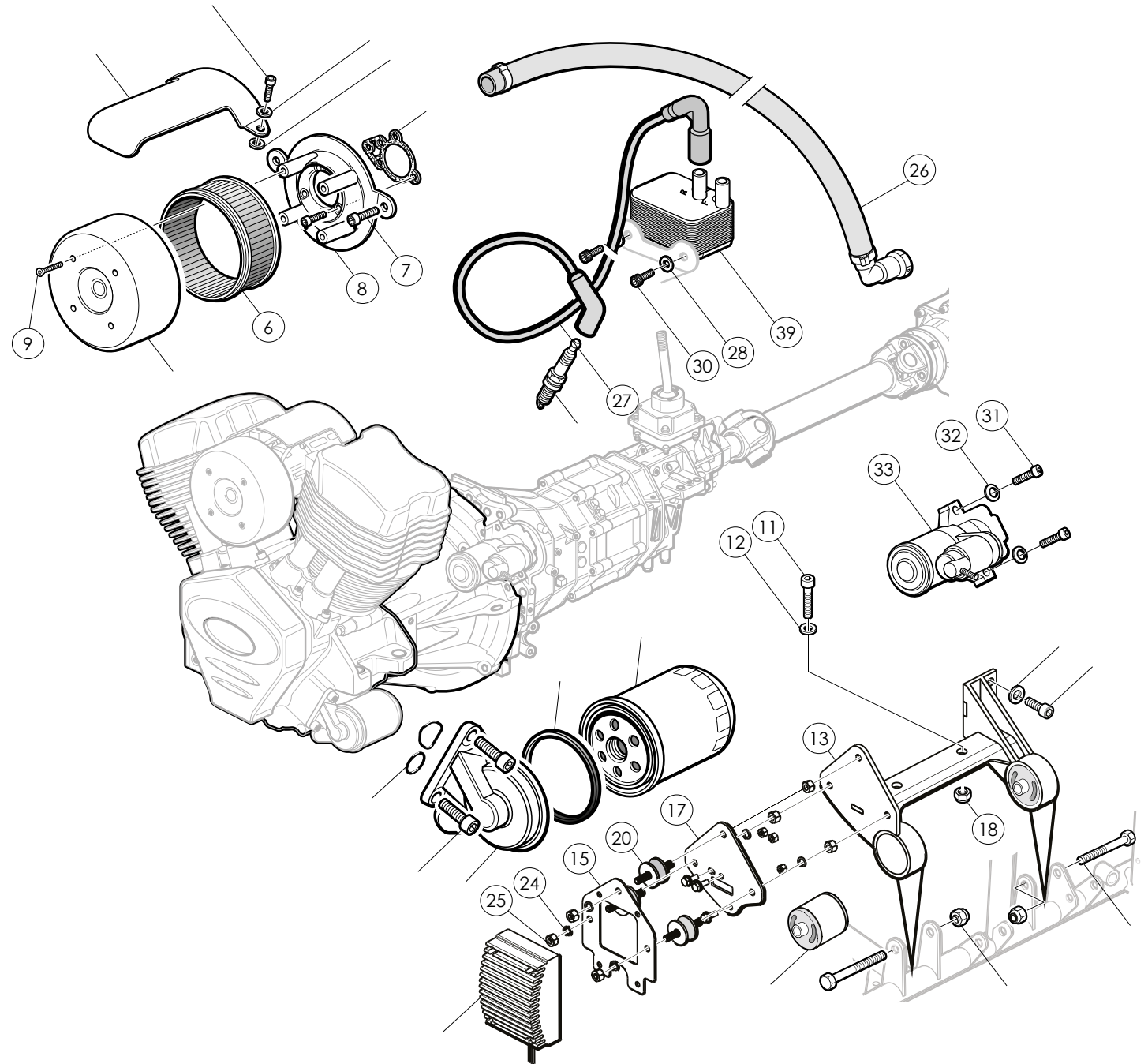
Transmission Jan 2014-On (chassis No. SA9M3WV2EDP202114) -

- 1 U120022 X-WEDGE ENGINE FULLY POLISHED & KIT
- U120023 X121 X-WEDGE BLACK
- U120070 EU4 ENGINE POLISHED
- 2 Z120007 COMPENSATOR
- 3 T120041 CENTRE DRIVE BELL
- 4 SCREW SOCKET CAP HD M10 X 25
- 5 T120042 FLYWHEEL MOUNTING
- 6 MGS11261 SOCKET CSK M8x30 BZP
- 7 U120024 FLYWHEEL
- 8 A120044 GEARBOX
- 9 U120018 STARTER MOTOR
- 10 BOLT FLANGE HEAD YZP M10 X 60
- 11 M12 X 65 HEX HEAD
- 12 Y120004 PROPSHAFT
- 13 M8 X 25 CAP SCREWS
- WASHER S/PROOF 5/16
- 14 SCREW M12x90 SKT CAP HD
- WASHER FLAT 1/2
- 15 WASHER S/PROOF12mm
- 16 M12 NYLOC NUT T
- 17 U120005 BEVEL BOX
- 18 WASHER SHAKE PROOF 12mm
- 19 SOCKET CAPHD M12 X 25
- 20 SA120006 3W FRONT BEVEL BOX MOUNTING
- 21 SA120011 3W BEVEL REAR MOUNT
- 22 SP130012 GEARBOX OUTPUT SHAFT SEAL
- 23 MRS0280 SHACKLE BUSH REAR



Engine Fixings 2012 - 2014

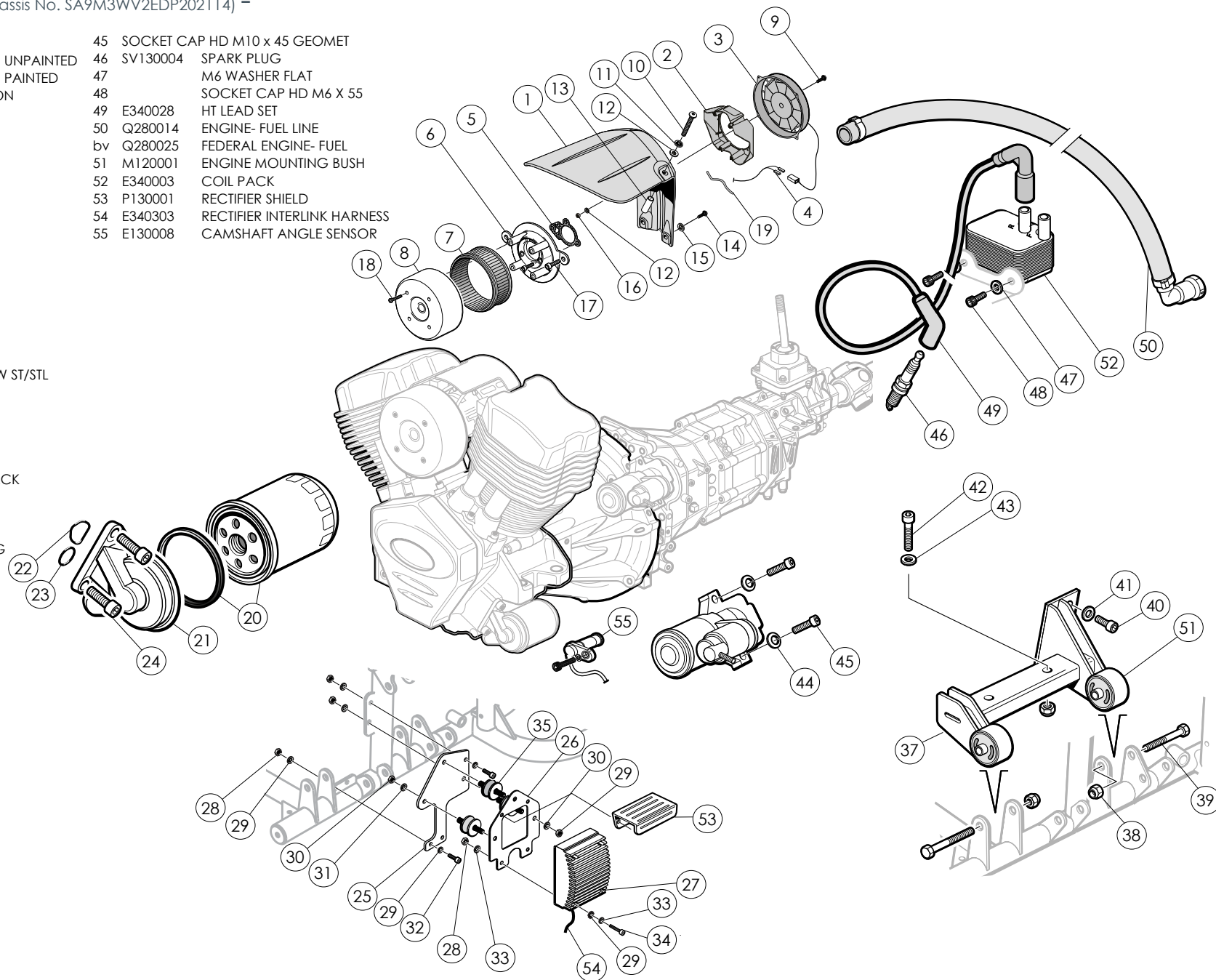
- | | | |
|----|----------|---------------------------------------|
| 1 | | 3/8 x 3/4 UNC SKT CAP |
| 2 | P120003 | ENGINE COVER |
| 3 | | 3/8 PLAIN WASHER |
| 4 | K130012 | GASKET - BACKPLATE |
| 5 | MGN0026 | M6 WING NUT DACROMET |
| 6 | SV130002 | AIR FILTER 106-4722 |
| 7 | | POZI CSK M5x20 SKT (M/C) SCREW ST/STL |
| 8 | C120001 | AIR FILTER MTG BKT |
| 9 | | SCREW CSK S/S M6x16 |
| 10 | P120002 | AIR FILTER COVER |
| 11 | MFS01520 | RADIUS ARM BOLT |
| 12 | | WASHER FLAT M12 |
| 13 | A120027 | LH ENGINE MOUNTING |
| | A120028 | RH ENGINE MOUNTING |
| 14 | | M10 WASHER INT SHAKEPROOF |
| 15 | B340015 | RECTIFIER SUPPORT |
| 16 | | SCREW M10 X 25 |
| 17 | B720001 | RECTIFIER MTG BKT |
| 18 | | M12 NYLOC NUT T |
| 19 | E340072 | RECTIFIER PACK |
| | E340071 | RECTIFIER EARTH LEAD |
| 20 | MXC0056 | COTTON REEL MTG FRONT PIPE4/4 |
| 21 | M120001 | ENGINE MOUNTING BUSH |
| 22 | | BOLT HEX 7/16 X 2.5 |
| 23 | | NUT MYLOC 7/16 |
| 24 | | WASHER SPRING 5/16 |
| 25 | | NUT 5/16 UNF |
| 26 | Q280014 | ENGINE- FUEL LINE |
| | Q280025 | ENGINE- FUEL LINE FEDERAL |
| 27 | E340028 | HT LEAD SET |
| 28 | | SOCKET CAP HD M6x55 |
| 29 | SV130004 | SPARK PLUG |
| 30 | | M6 WASHER FLAT |
| 31 | | FLANGE HEAD SCREW |
| 32 | | WASHER |
| 33 | U120018 | STARTER MOTOR |
| 34 | SV130001 | OIL FILTER |
| 35 | K130016 | O.RING OIL FILTER HOUSING |
| 36 | K130017 | O.RING OIL FILTER |
| 37 | MGS0616 | SCREW CAP HEAD 5/16 |
| 38 | SP130016 | OIL FILTER HOUSING POLISHED |
| | SP130098 | OIL FILTER HOUSING SILVER |
| | SP130099 | OIL FILTER HOUSING WRINKLE BLACK |
| 39 | E130005 | COIL PACK |



Engine Fixings 2014 (chassis No. SA9M3WV2EDP202114) -

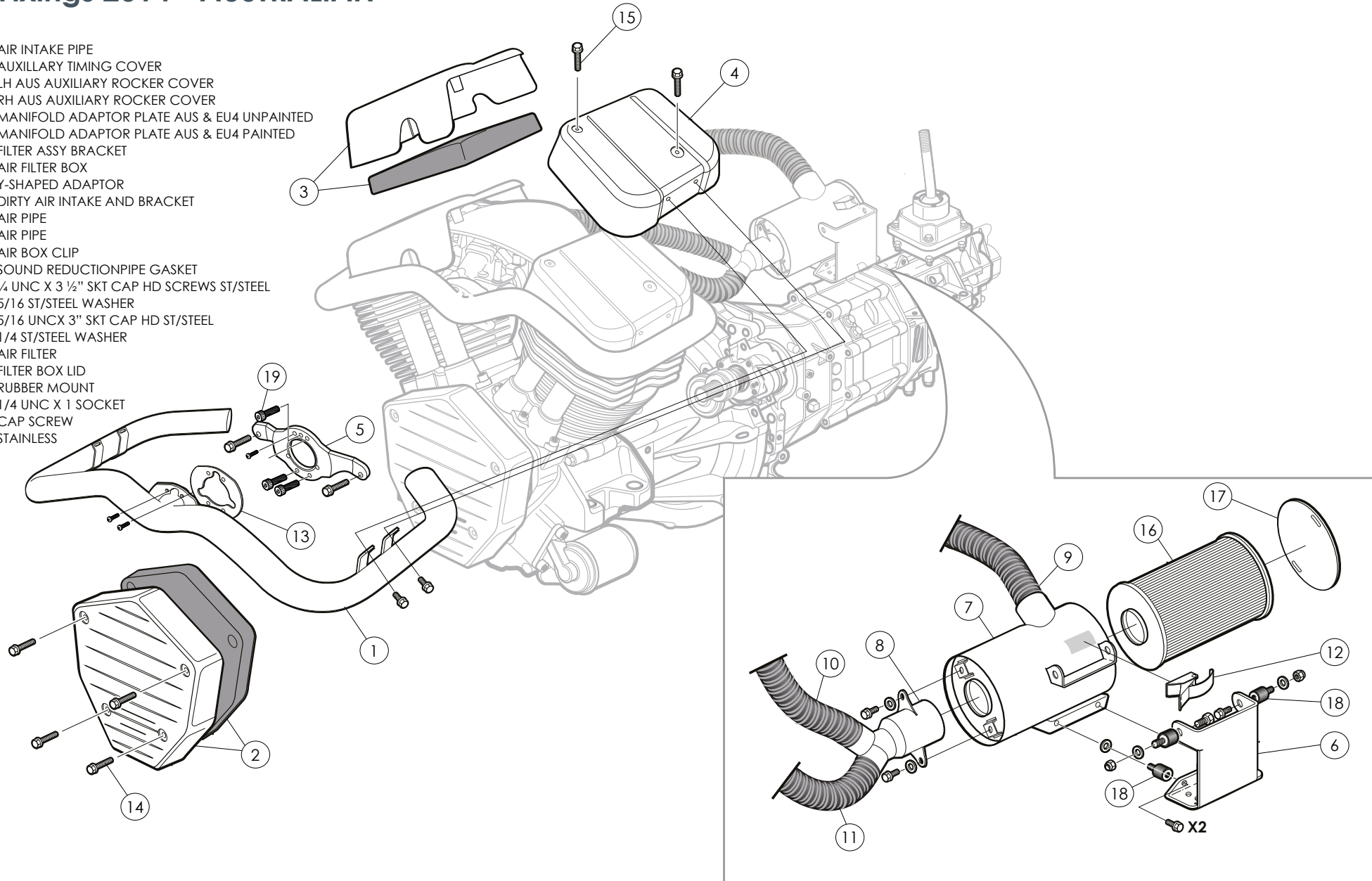
- 1 A250008 COOLING COWL AIR DEFLECTOR UNPAINTED
- M400028 COOLING COWL AIR DEFLECTOR PAINTED
- 2 A250007 COOLING COWL MATERIAL NYLON
- 3 E130015 ENGINE COOLING FAN
- 4 E340083 COOLING FAN SUB LOOM
- 5 K130012 GASKET - BACKPLATE
- 6 C120001 AIR FILTER MTG BKT
- 7 SV130002 AIR FILTER
- 8 P120002 APPROVED AIR FILTER COVER
- P120037 DUMMY AIR FILTER COVER
- 9 MGB0027 BOLT SET M6 X 20 TENSILOCK
- F500002 3/8x21/2 UNC BUTTON
- 11 MGW02200 M10 WASHER INT SHAKEPROOF
- 12 WASHER FLAT M10
- 13 T250004 SPACER
- 14 BOLT SET M6 X 20 TENSILOCK
- 15 WASHER FLAT M6 X 4mm T
- 16 M6 NYLOC NUT
- 17 POZI CSK M5x20 SKT (M/C) SCREW ST/STL
- 18 SCREW CSK S/S M6 X 16
- 19 MPS0722 PETROL PIPE 5.4mm
- 20 3EP0100 OIL FILTER
- 21 SP130016 OIL FILTER HOUSING POLISHED
- SP130098 OIL FILTER HOUSING SILVER
- SP130099 OIL FILTER HOUSING WRINKLE BLACK
- 22 K130016 O.RING OIL FILTER HOUSING
- 23 K130017 O.RING OIL FILTER
- 24 SCREW CAP HEAD 5/16
- 25 D060031 3W RECTIFIER CHASSIS MOUNTING
- 26 B340015 RECTIFIER SUPPORT PLATE
- 27 E340072 RECTIFIER PACK
- E340071 RECTIFIER EARTH LEAD
- 28 M5 NYLOC NUT
- 29 WASHER FLAT M5 X 5 X 1.2
- 30 NUT M8 NYLOC (T)
- 31 M8 FLAT WASHER
- 32 SOCKET CAP HD M5 X 20
- 33 WASHER S/PROOF 3/16
- 34 SCREW MT M5 X 30 CSK
- 35 MXC0056 COTTON REEL MTG RUBBER
- 36 NUT M12 NYLOC
- 37 A120028 RH ENGINE MOUNTING
- A120063 LH ENGINE MOUNTING
- M120001 ENGINE MOUNTING BUSH
- 38 NUT 7/16 UNF NYLOC
- 39 BOLT SET 7/16 X 2.5
- 40 SOCKET CAP HD M10x25
- 41 M10 WASHER INT SHAKEPROOF
- 42 MFS01520 RADIUS ARM BOLT
- 43 WASHER FLAT M12
- 44 WASHER FLAT M10 DACROMET

- 45 SOCKET CAP HD M10 x 45 GEOMET
- 46 SV130004 SPARK PLUG
- 47 M6 WASHER FLAT
- 48 SOCKET CAP HD M6 X 55
- 49 E340028 HT LEAD SET
- 50 Q280014 ENGINE- FUEL LINE
- bv Q280025 FEDERAL ENGINE- FUEL
- 51 M120001 ENGINE MOUNTING BUSH
- 52 E340003 COIL PACK
- 53 P130001 RECTIFIER SHIELD
- 54 E340303 RECTIFIER INTERLINK HARNESS
- 55 E130008 CAMSHAFT ANGLE SENSOR



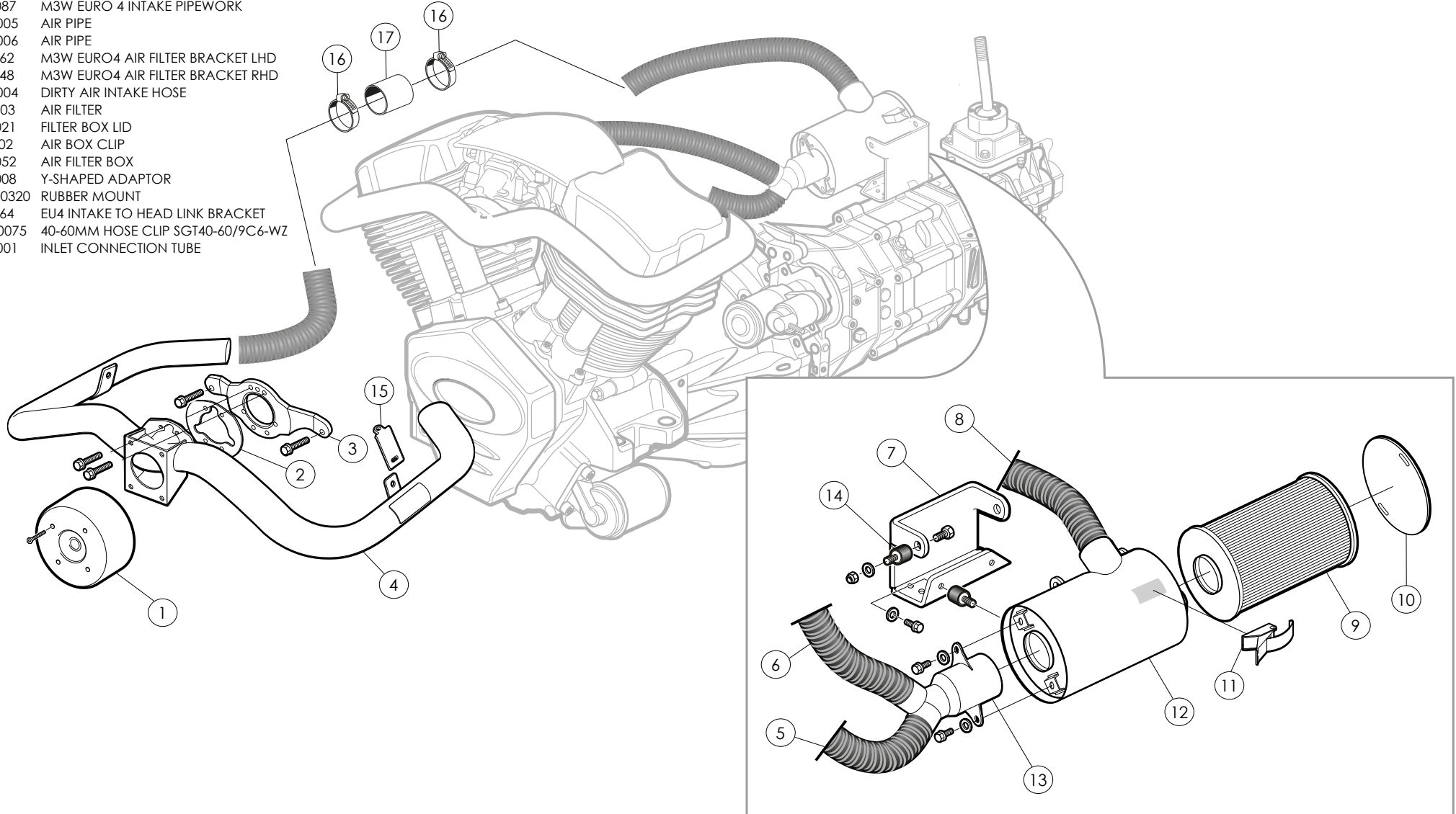
Engine Fixings 2014 - AUSTRALIAN

- 1 A120069 AIR INTAKE PIPE
- 2 T130003 AUXILLARY TIMING COVER
- 3 T130005 LH AUS AUXILIARY ROCKER COVER
- 4 T130004 RH AUS AUXILIARY ROCKER COVER
- 5 C120010 MANIFOLD ADAPTOR PLATE AUS & EU4 UNPAINTED
- T130006 MANIFOLD ADAPTOR PLATE AUS & EU4 PAINTED
- 6 B120048 FILTER ASSY BRACKET
- 7 A120052 AIR FILTER BOX
- 8 A130008 Y-SHAPED ADAPTOR
- 9 Q130004 DIRTY AIR INTAKE AND BRACKET
- 10 Q130006 AIR PIPE
- 11 Q130005 AIR PIPE
- 12 F120002 AIR BOX CLIP
- 13 K130054 SOUND REDUCTIONPIPE GASKET
- 14 F120008 1/4 UNC X 3 1/2" SKT CAP HD SCREWS ST/STEEL
- F120011 5/16 ST/STEEL WASHER
- 15 F120009 5/16 UNC X 3" SKT CAP HD ST/STEEL
- F120010 1/4 ST/STEEL WASHER
- 16 U130003 AIR FILTER
- 17 D120021 FILTER BOX LID
- 18 MGE00320 RUBBER MOUNT
- 19 F120013 1/4 UNC X 1 SOCKET CAP SCREW STAINLESS



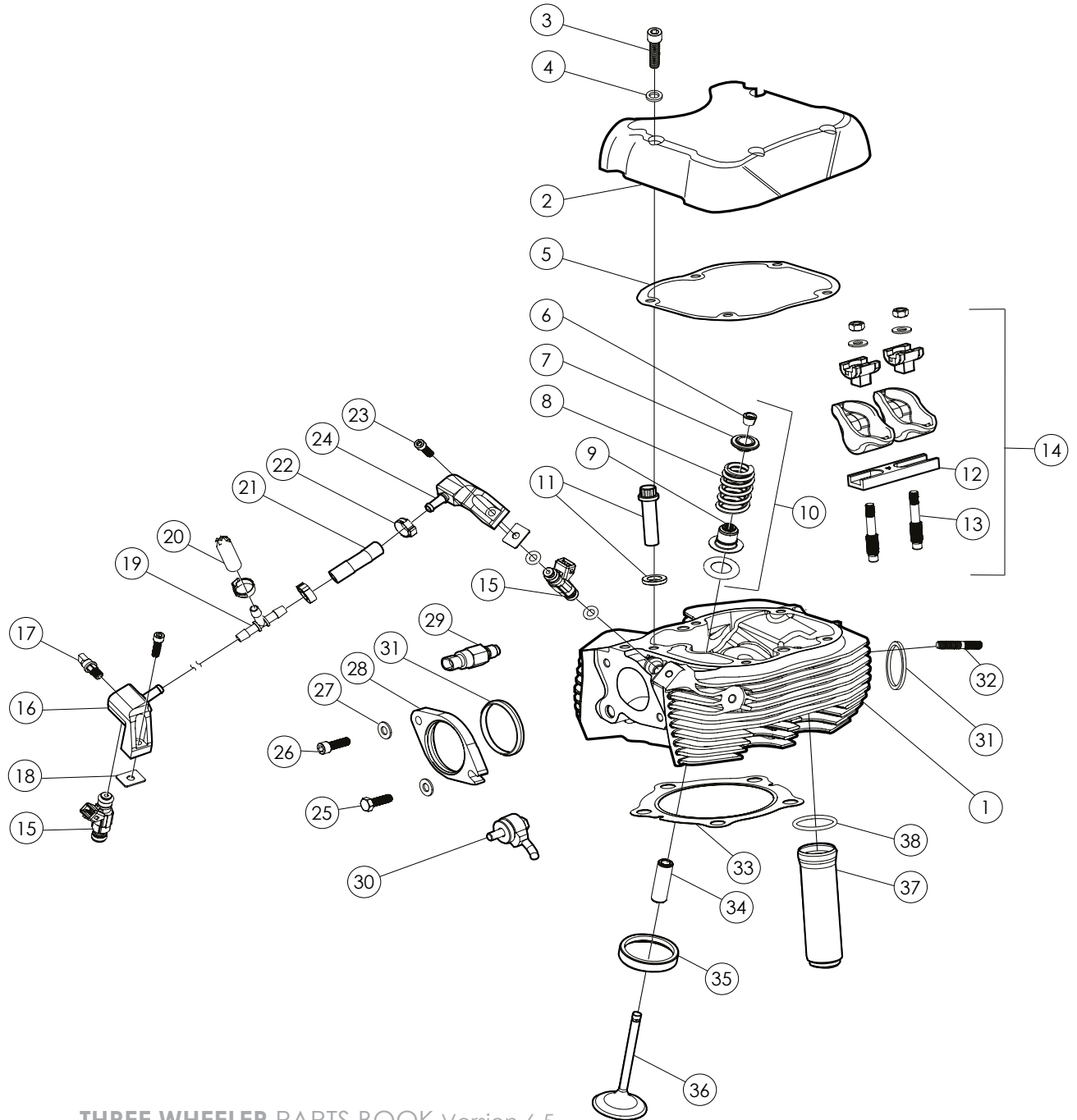
Engine Fixings EU4 2017 - ON

- | | | |
|----|----------|---|
| 1 | P120037 | DUMMY AIR FILTER COVER AUSTRALIA INTAKE UNPAINTED |
| 2 | K130054 | AUS M3W AIR INTAKE PIPES GASKET |
| 3 | C120010 | AUS M3W AIR FILTER CASTING |
| 4 | A120087 | M3W EURO 4 INTAKE PIPEWORK |
| 5 | Q130005 | AIR PIPE |
| 6 | Q130006 | AIR PIPE |
| 7 | B120062 | M3W EURO4 AIR FILTER BRACKET LHD |
| | B120048 | M3W EURO4 AIR FILTER BRACKET RHD |
| 8 | Q130004 | DIRTY AIR INTAKE HOSE |
| 9 | U130003 | AIR FILTER |
| 10 | D120021 | FILTER BOX LID |
| 11 | F120002 | AIR BOX CLIP |
| 12 | A120052 | AIR FILTER BOX |
| 13 | A130008 | Y-SHAPED ADAPTOR |
| 14 | MGE00320 | RUBBER MOUNT |
| 15 | B120064 | EU4 INTAKE TO HEAD LINK BRACKET |
| 16 | MGC0075 | 40-60MM HOSE CLIP SGT40-60/9C6-WZ |
| 17 | Q131001 | INLET CONNECTION TUBE |



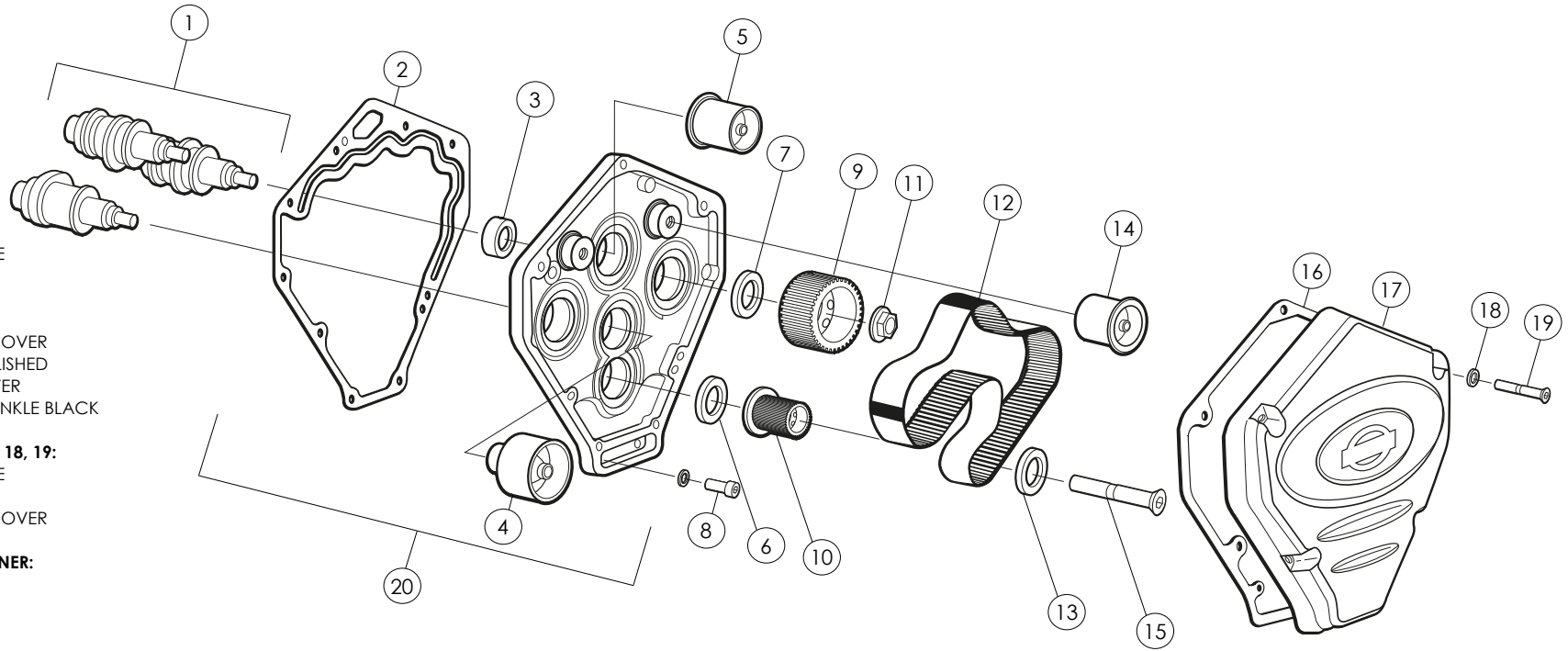
CYLINDERHEAD

- 1 SP130005 HEAD FRONT BK
- SP130006 HEAD REAR BK
- SP130180 CYLINDER HEAD FRONT POLISHED
- SP130229 CYLINDER HEAD REAR POLISHED
- 2 SP130051 ROCKER COVER
- C130001 ROCKER COVER LH AUSTRALIA
- C130002 ROCKER COVER RH AUSTRALIA
- C130004 ROCKER COVER - JAP
- 3 SP130059 SCREW POLISHED CHROME
- 4 SP130060 WASHER FLAT
- 5 K130003 ROCKER COVER GASKET
- K130001 ENGINE GASKET SET
- 6 SP130026 VALVE KEEPER, 1984-2004 BT, 1986-'03 XL
- 7 SP130027 COLLAR, TOP VALVE SPRING, SW, W/SEAL
- 8 SP130024 SPRING, VALVE SPRING, SW .585" STEEL
- 9 SP130025 COLLAR, BOTTOM COLLAR
- 10 SP130061 VALVE SPRING KIT
- 11 SP130063 HEAD BOLT KIT
- 12 SP130058 RETAINER ROCKER ARM SUPPORT
- 13 SP130056 HEAD STUD KIT
- 14 SP130051 ROCKER COVER
- 15 SP130023 FULE INJECTOR, ASSEMBLY, STYLE B
- 16 B280015 CLAMP, REAR, HOLD DOWN FUEL INJECTOR
- 17 SP130053 BLEED SCREW
- 18 SP130070 INSULATOR
- 19 SP130052 T-PIECE
- 20 SP130065 FUEL PIPE
- 21 SP130064 FUEL HOSE
- 22 SP130072 HOSE CLAMP
- 23 SP130067 SCREW
- 24 B280014 CLAMP, FRONT, HOLD-DOWN, FUEL INJECTOR
- 25 SP130068 BOLT
- 26 SP130069 SCREW
- 27 SP130071 WASHER
- 28 SP130007 STEEL, MAINFOLD, 2.060" X 2.285" X .0240"
- 29 E130017 SENSOR TEMPERATURE
- 30 E130009 KNOCK SENSOR
- 31 K130006 GASKET, EXHAUST, STLESS STL 1984-'99
- 32 K130005 EXHAUST PORT STUD 5/16" 1.7"
- 33 K130002 GASKET HEAD
- 34 SP130021 VALVE GUIDE, INTAKE/EXHAUST,
- 35 SP130020 VALVE SEAT EXHAUST
- SP130019 VALVE SEAT INLET
- 36 SP130017 VALVE 1984-'99 BT, 1986-'03 INTAKE
- SP130018 VALVE 1984-'99 BT, 1986-'03 EXHAUST
- 37 SP130004 PUSHROD, COVERSET, PACKAGED
- 38 SP130022 O-RING (-220, 1.375" ID X 1.625" OD)



CAMS AND VALVE

- 1 SP130043 CAMSHAFT KIT
- 2 K130009 GASKET CAM CHEST
- 3 SP130100 BEARING OUTER
- 4 SP130015 TENSIONER BELT
- 5 SP130014 PULLEY REAR IDLER
- 6 K130010 FRONT PINION SEAL
- 7 K130021 OIL SEAL CAM COVER
- 8 SP130106 SCREW
- 9 SP130045 SPROCKET CAM 38 TOOTH
- 10 NLA SPROCKET PINION
- 11 SP130047 NUT FLANGED
- 12 SV130003 CAM BELT
- 13 NLA WASHER PINION SPROCKET
- 14 SP130013 PULLEY FRONT IDLER
- 15 NLA SCREW SOCKET HEAD
- 16 NLA GASKET BELT COVER DRIVE
- 17 SP130050 ENGINE COVER POLISHED
C120011 ENGINE COVER - JAP
- 18 NLA WASHER FLAT
- 19 NLA SCREW CHROME FRONT COVER
- 20 SP130101 COVER INTERMEDIATE POLISHED
SP130102 COVER INTERMEDIATE SILVER
SP130103 COVER INTERMEDIATE WRINKLE BLACK



SP130133 SPACER KIT SUPERSEDES ITEMS 16, 18, 19:

- 16 K130008 GASKET BELT COVER DRIVE
- 18 SP130105 WASHER FLAT
- 19 SP130104 SCREW CHROME FRONT COVER

SP130046 REPAIR KIT, TIMING BELT & TENSIONER:

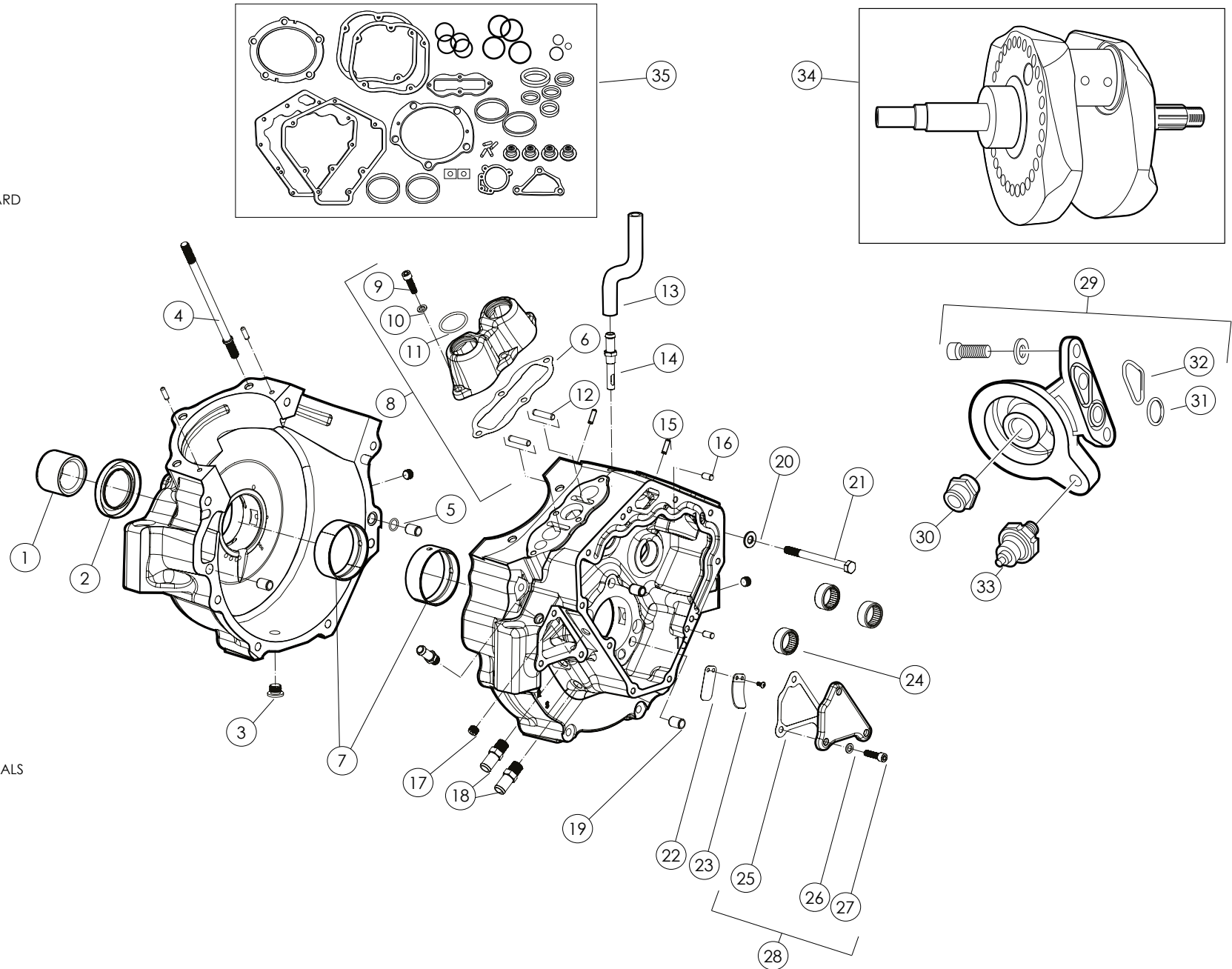
- 4 SP130015 TENSIONER BELT
- 5 SP130014 PULLEY REAR IDLER
- 6 K130022 OIL SEAL PINION
- 7 K130021 OIL SEAL CAM COVER
- 10 SP130202 REPAIR KIT
- 12 SV130003 CAM BELT
- 14 SP130013 PULLEY FRONT IDLER
- 19 SP130133 SCREW CROME FRONT COVER

SP130202 REPAIR KIT, TIMING BELT PULLEY:

- 10 SPROCKET PINION
- 11 SP130047 NUT FLANGED
- 13 SP130048 WASHER PINION SPROCKET
- 15 SP500002 SCREW SOCKET HEAD

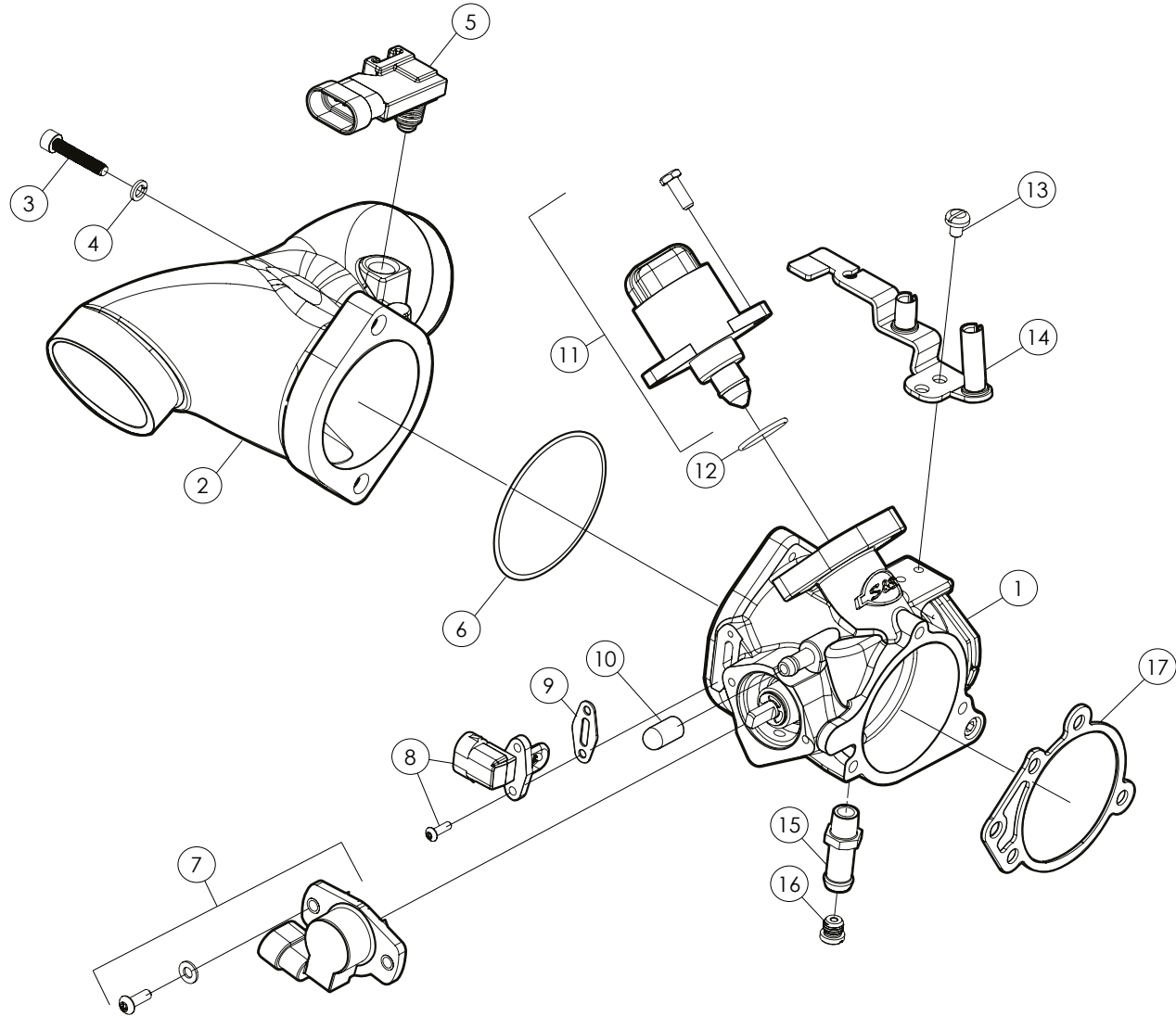
CASES

- 1 SP130040 SPACER CHARGING SYSTEM
- 2 SP130041 SPACER CHARGING SYSTEM
- 3 K130020 OIL SEAL MAIN BEARING LEFT
- 4 SP130009 SUMP PLUG C/W O RING
- 5 SP130037 STUD CYLINDER BASE
- 6 SP130086 O RING
- 7 K130018 GASKET TAPPET COVER
- 8 SP130036 MAIN BEARING JOURNAL STANDARD
- 9 SP130003 TAPPET COVER
- 10 SP130091 SCREW BRIGHT ZINC
- 11 SP130092 SCREW CHROME
- 12 SP130093 WASHER FLAT
- 13 SP130055 O-RING LOWER
- 14 SP130084 DOWEL PIN
- 15 SP130038 VENT HOSE
- 16 SP130039 FITTING HOSE STRAIGHT
- 17 SP130082 DOWEL PIN
- 18 SP130083 DOWEL PIN
- 19 SP130081 PLUG
- 20 SP130080 FITTING STRAIGHT
- 21 SP130085 PIN DOWEL
- 22 SP130096 WASHER FLAT
- 23 SP130095 BOLT
- 24 SP130097 REED BREATHER VALVE
- 25 SP130094 STOP REED VALVE
- 26 SP130079 BEARING NEEDLE
- 27 SP130090 GASKET REED COVER
- 28 SP130093 WASHER FLAT
- 29 SP130091 SCREW BRIGHT ZINC
- 30 SP130092 SCREW CHROME
- 31 SP130087 REED COVER POLISHED
- 32 SP130088 REED COVER SILVER
- 33 SP130089 REED COVER BLACK
- 34 SP130016 OIL FILTER HOUSING POLISHED
- 35 SP130042 FITTING STRAIGHT
- 36 K130017 O RING OIL FILTER HOUSING
- 37 K130016 O RING OIL FILTER HOUSING
- 38 E130001 OIL PRESSURE SWITCH
- 39 SP130181 CRANKSHAFT
- 40 K130001 FULL ENGINE GASKET SET, INCL. SEALS



INTAKE

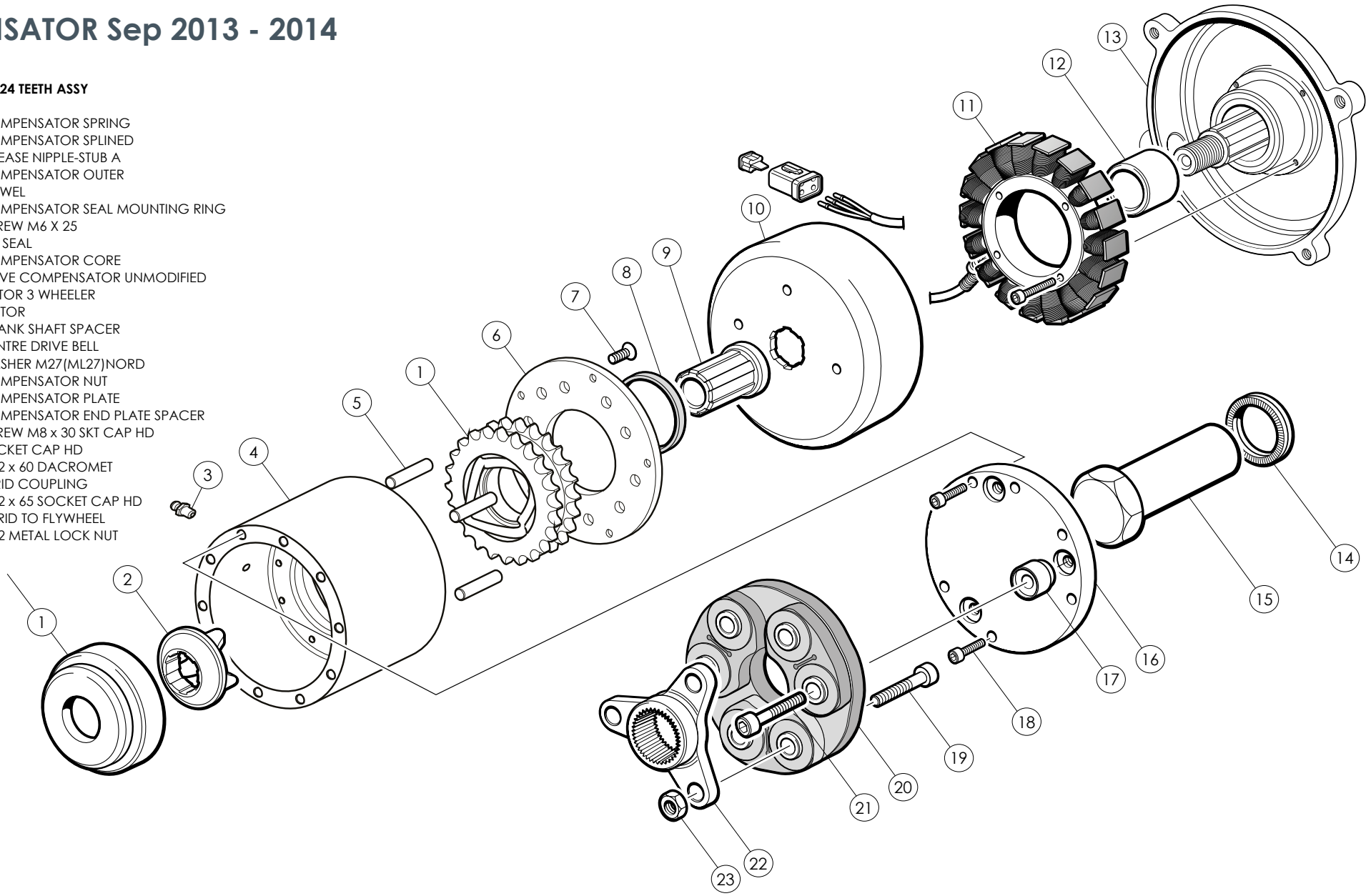
- 1 SP130029 THROTTLE BODY, ASSEMBLY, SINGLE BORE, 52MM
- 2 SP130032 MAINFOLD SBFI 2 1/16" NATURAL
- SP130033 MAINFOLD SBFI 2 1/16" POLISHED
- 3 SP130073 SCREW
- 4 SP130074 WASHER LOCK
- 5 E130010 SENSOR KIT
- 6 K130013 O RING 2.364" ID X 2.504" OD NITRILE
- 7 E130012 SENSOR, KIT, THROTTLE POSITION, VFI
- 8 E130011 SENSOR, KIT TEMPERATURE, INTAKE AIR
- 9 K130023 GASKET SENSOR
- 10 SP130075 CAP PURGE FITTING
- 11 E130013 MOTOR KIT, IDLE AIR CONTROL EFI
- 12 E130018 O RING
- 13 SP130078 SCREW
- 14 SP130031 GUIDE THROTTLE CABLE, W/HARDWARE
- 15 SP130076 FITTING HOSE STRAIGHT
- 16 SP130077 JET MAIN SERIES 72
- 17 K130014 GASKET, BACKPLATE, SUPER E & G 52MM
- K130015 GASKET, BACKPLATE, SUPER E & G 58MM



COMPENSATOR Sep 2013 - 2014

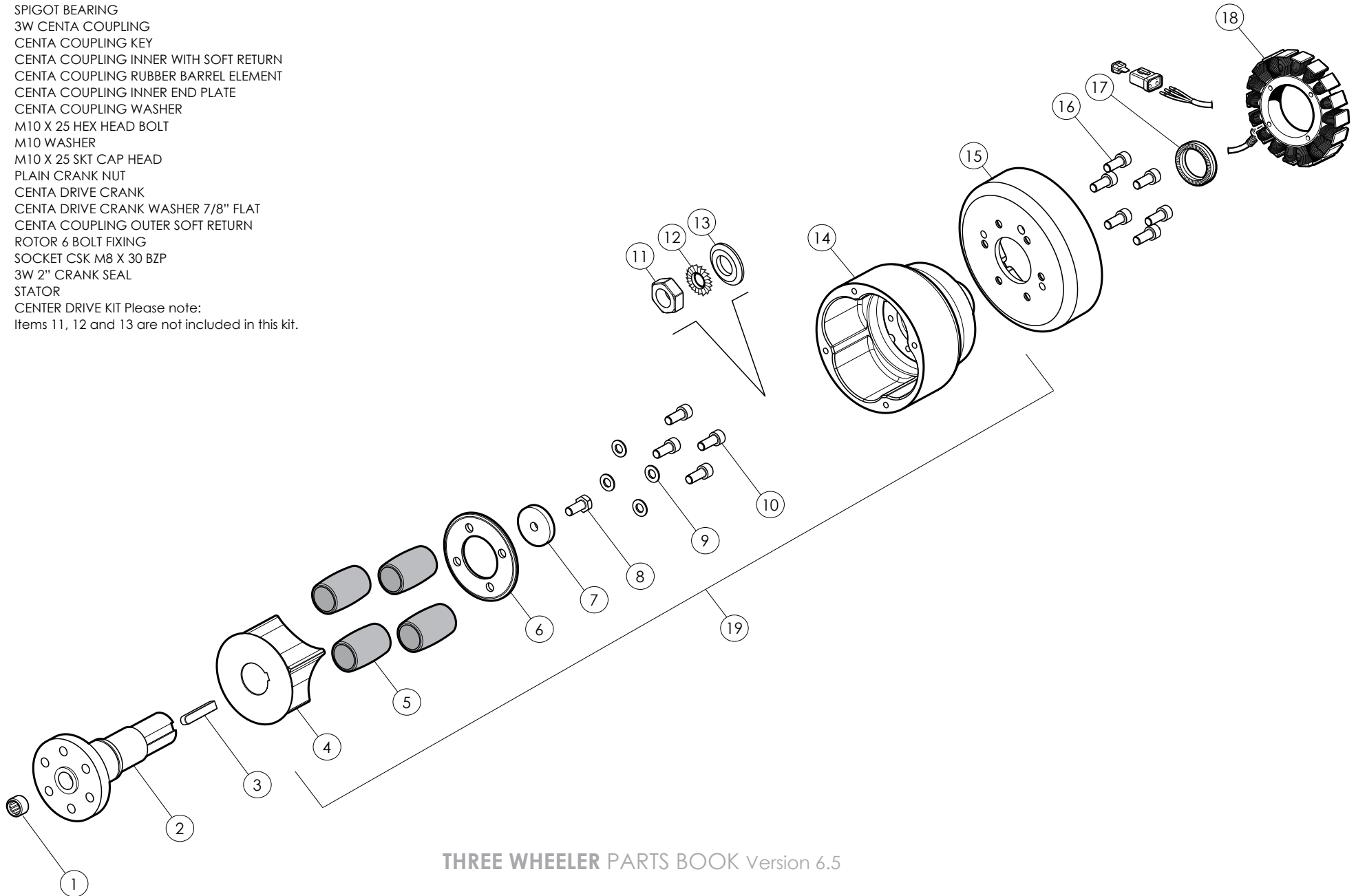
A120043 COMPLETE 24 TEETH ASSY

- 1 U120030 COMPENSATOR SPRING
- 2 U120029 COMPENSATOR SPLINED
- 3 MFS0270 GREASE NIPPLE-STUB A
- 4 T120098 COMPENSATOR OUTER
- 5 U540011 DOWEL
- 6 T120099 COMPENSATOR SEAL MOUNTING RING
- 7 SCREW M6 X 25
- 8 U370001 OIL SEAL
- 9 U120028 COMPENSATOR CORE
- 10 U120031 DRIVE COMPENSATOR UNMODIFIED
- 11 E340043 ROTOR 3 WHEELER
- 12 E130014 STATOR
- 13 T120074 CRANK SHAFT SPACER
- 14 T120041 CENTRE DRIVE BELL
- 15 U120044 WASHER M27(ML27)NORD
- 16 U120027 COMPENSATOR NUT
- 17 T120086 COMPENSATOR PLATE
- 18 T120093 COMPENSATOR END PLATE SPACER
- 19 SCREW M8 x 30 SKT CAP HD
- 20 MGS06240 SOCKET CAP HD
- 21 M12 x 60 DACROMET
- 22 U120035 JURID COUPLING
- 23 M12 x 65 SOCKET CAP HD



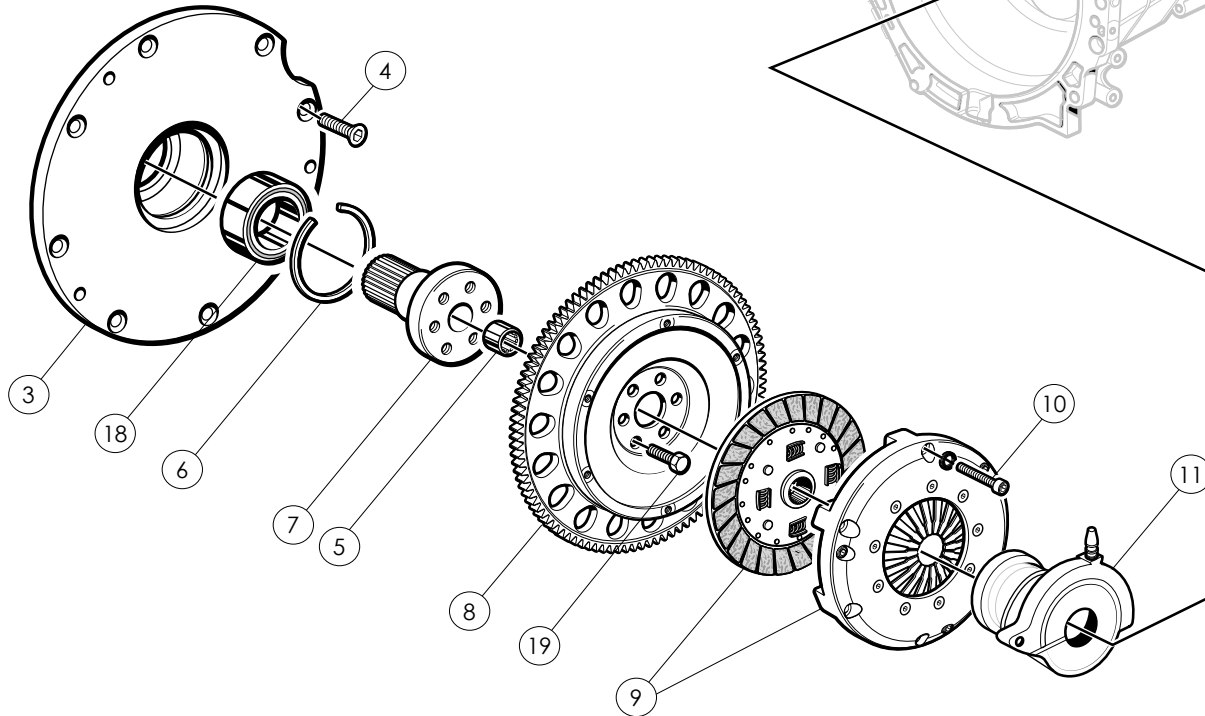
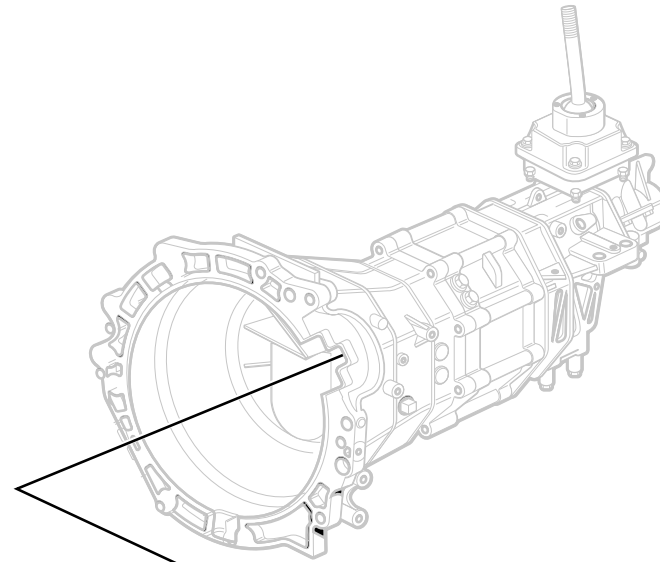
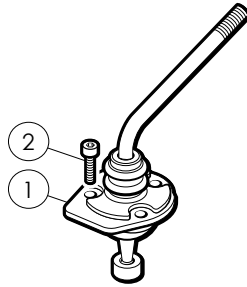
COMPENSATOR 2014 -

- 1 U120036 SPIGOT BEARING
- 2 T120121 3W CENTA COUPLING
- 3 T120136 CENTA COUPLING KEY
- 4 T120131 CENTA COUPLING INNER WITH SOFT RETURN
- 5 M120007 CENTA COUPLING RUBBER BARREL ELEMENT
- 6 T120122 CENTA COUPLING INNER END PLATE
- 7 T120134 CENTA COUPLING WASHER
- 8 M10 X 25 HEX HEAD BOLT
- 9 M10 WASHER
- 10 M10 X 25 SKT CAP HEAD
- 11 U120043 PLAIN CRANK NUT
- 12 F120004 CENTA DRIVE CRANK
- 13 T120103 CENTA DRIVE CRANK WASHER 7/8" FLAT
- 14 T120133 CENTA COUPLING OUTER SOFT RETURN
- 15 E340109 ROTOR 6 BOLT FIXING
- 16 SOCKET CSK M8 X 30 BZP
- 17 K130024 3W 2" CRANK SEAL
- 18 E130014 STATOR
- 19 Z120007 CENTER DRIVE KIT Please note:
Items 11, 12 and 13 are not included in this kit.

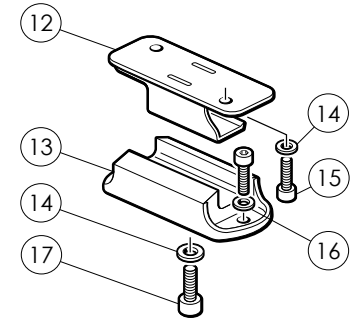


CLUTCH

- 1 SP130107 GEAR STICK
- 2 M6 X 16 CAP HEAD SCREW
- 3 T120042 FLYWHEEL MOUNTING
- 4 MGS11261 SOCKET CSK M8x30 BZP
- 5 U120036 SPIGOT BEARING
- 6 U120017 CENTRE DRIVE SNAP
- 7 T120056 FLY WHEEL MOUNTING
- 8 SP130007 FLY WHEEL
- 9 SP130002 CLUTCH KIT
- 10 SOCKET CAP HD M8 X 40
- 11 U120019 INTERNAL CLUTCH SLAVE CYLINDER
- 12 A120033 BRACKET GEARBOX TO MTG
- 13 M120005 GEARBOX MOUNTING
- 14 MGW0020 WASHER FLAT 5/16 STEEL
- 15 SCREW CAP M8 X 20
- 16 WASHER
- 17 SCREW SOCKET CAP HD M8 X 40
- 18 U120015 BEARING REAR HOUSING
- 19 U120059 FLYWHEEL MOUNTING BOLT



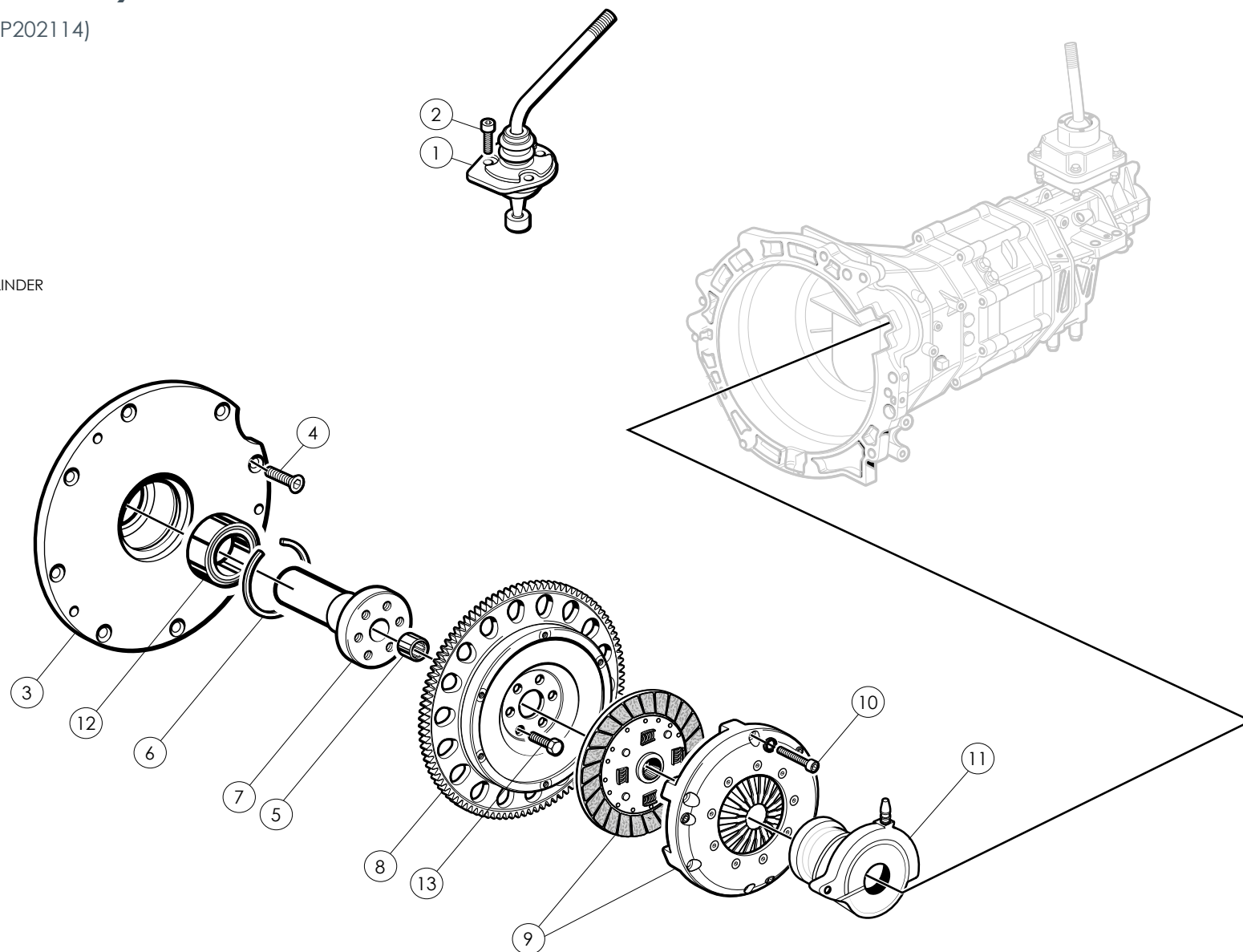
2012 - JUNE 2013



CLUTCH from 2014 (internal)

(From chassis No. SA9M3WV2EDP202114)

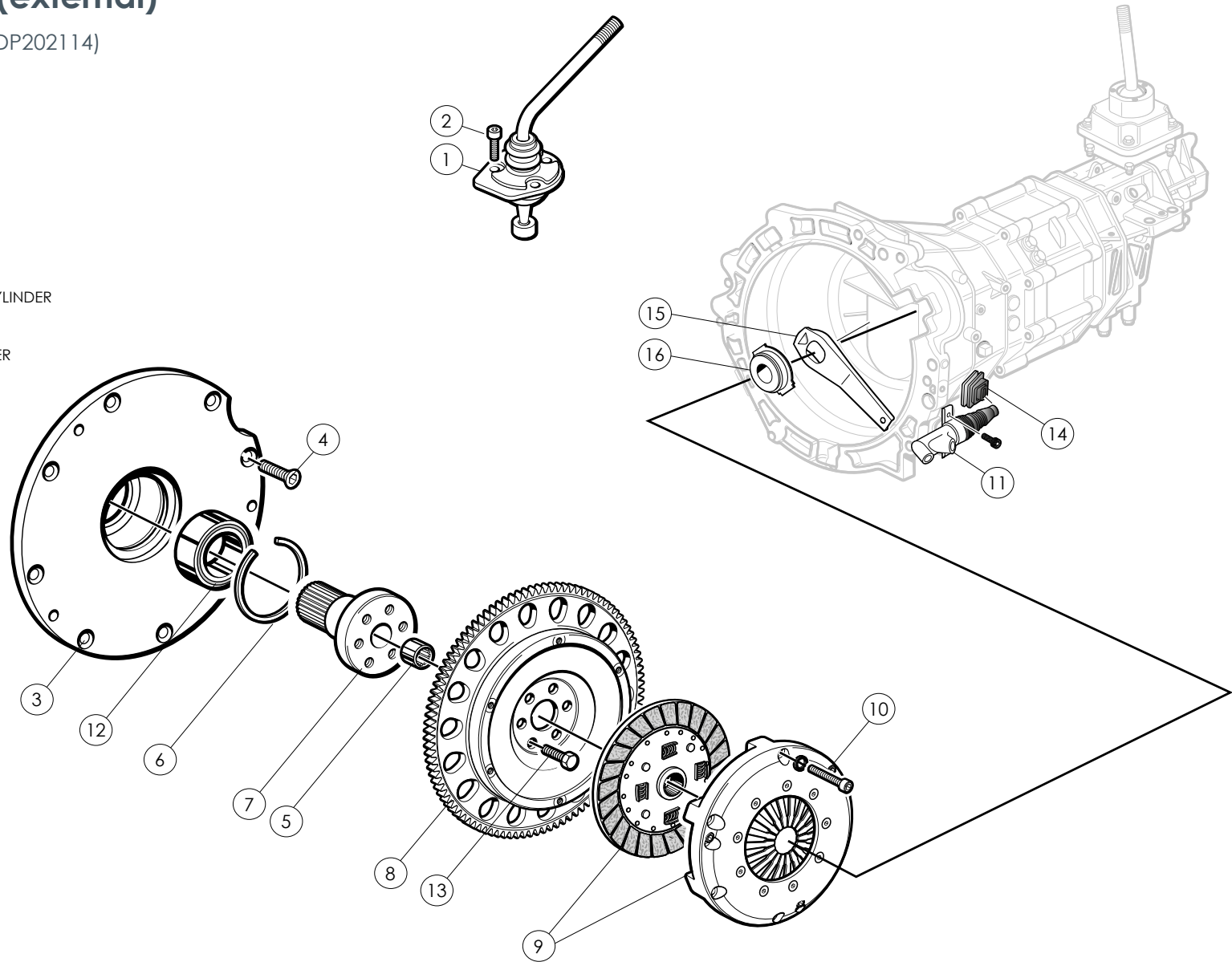
- 1 SP140003 GEAR STICK
- 2 M6 X 16 CAP HEAD SCREW
- 3 T120042 FLYWHEEL MOUNTING
- 4 SOCKET CSK M8 X 30 BZP
- 5 U120036 SPIGOT BEARING
- 6 U120017 CENTRE DRIVE SNAP
- 7 T120121 FLY WHEEL MOUNTING
- 8 SP130007 FLY WHEEL
- 9 SP130002 CLUTCH KIT
- 10 SOCKET CAP HD M8 X 40
- 11 U120019 INTERNAL CLUTCH SLAVE CYLINDER
- 12 U120015 BEARING REAR HOUSING
- 13 U120059 FLYWHEEL MOUNTING BOLT



CLUTCH up to 2013 (external)

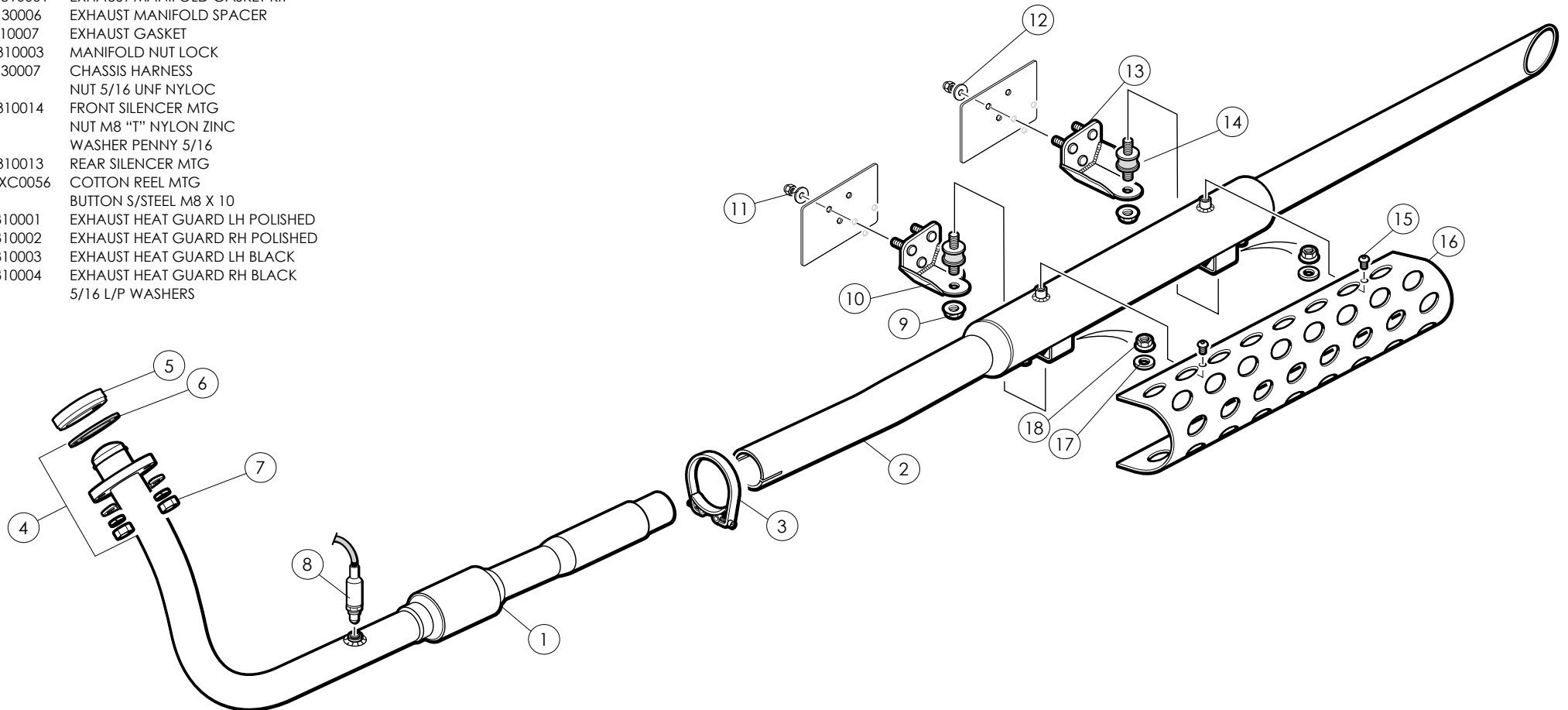
(up to chassis No. SA9M3WV2EDP202114)

- 1 SP140003 GEAR STICK
- 2 M6 X 16 CAP HEAD SCREW
- 3 T120042 FLYWHEEL MOUNTING
- 4 SOCKET CSK M8 X 30 BZP
- 5 U120036 SPIGOT BEARING
- 6 U120017 CENTRE DRIVE SNAP
- 7 T120121 FLY WHEEL MOUNTING
- 8 SP130007 FLY WHEEL
- 9 SP130002 CLUTCH KIT
- 10 SOCKET CAP HD M8 X 40
- 11 U130010 EXTERNAL CLUTCH SLAVE CYLINDER
- 12 U120015 BEARING REAR HOUSING
- 13 U120059 FLYWHEEL MOUNTING BOLT
- 14 SP130199 CLUTCH RELEASE ARM GAITER
- 15 SP130197 CLUTCH RELEASE ARM
- 16 SP130198 CLUTCH RELEASE BEARING



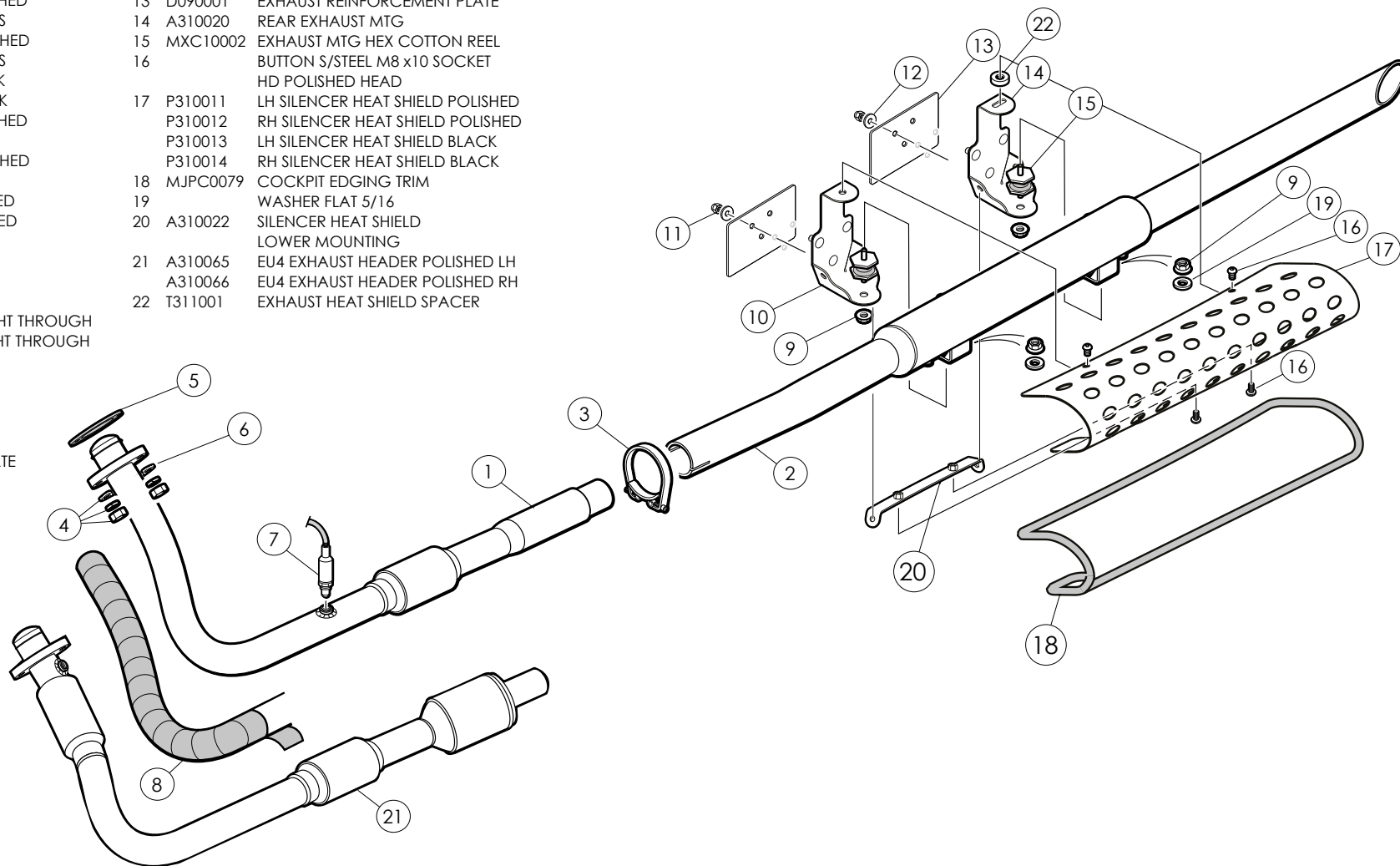
EXHAUST 2012 - 2014

- 1 U310005 EXHAUST FRONT PIPE LH POLISHED / BROOKLANDS
- U310006 EXHAUST FRONT PIPE RH POLISHED / BROOKLANDS
- U310001 EXHAUST FRONT PIPE LH BLACK
- U310002 EXHAUST FRONT PIPE RH BLACK
- 2 U310007 EXHAUST SILENCER LH POLISHED
- U310008 EXHAUST SILENCER RH POLISHED
- U310003 EXHAUST SILENCER LH BLACK
- U310004 EXHAUST SILENCER RH BLACK
- U310019 EXHAUST SILENCER RH POLISHED NOISEY
- U310020 EXHAUST SILENCER LH POLISHED NOISEY
- U310021 EXHAUST SILENCER RH STRAIGHT THROUGH
- U310022 EXHAUST SILENCER LH STRAIGHT THROUGH
- 3 U310011 EXHAUST CLAMP
- 4 SP310001 EXHAUST MANIFOLD GASKET KIT
- 5 K130006 EXHAUST MANIFOLD SPACER
- 6 T310007 EXHAUST GASKET
- 7 D310003 MANIFOLD NUT LOCK
- 8 E130007 CHASSIS HARNESS
- 9 NUT 5/16 UNF NYLOC
- 10 A310014 FRONT SILENCER MTG
- 11 NUT M8 "T" NYLON ZINC
- 12 WASHER PENNY 5/16
- 13 A310013 REAR SILENCER MTG
- 14 MXC0056 COTTON REEL MTG
- 15 BUTTON S/STEEL M8 X 10
- 16 P310001 EXHAUST HEAT GUARD LH POLISHED
- P310002 EXHAUST HEAT GUARD RH POLISHED
- P310003 EXHAUST HEAT GUARD LH BLACK
- P310004 EXHAUST HEAT GUARD RH BLACK
- 17 5/16 L/P WASHERS



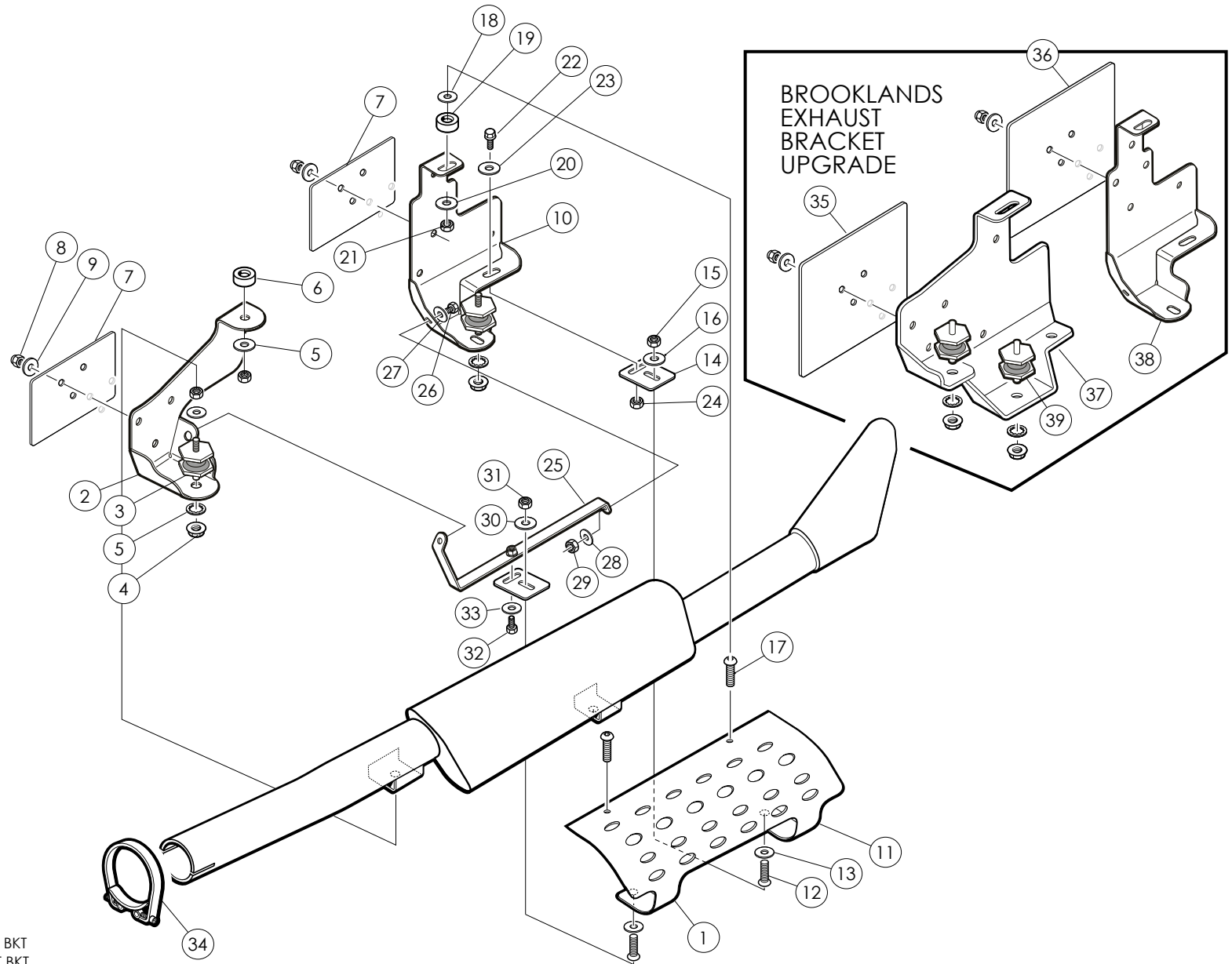
EXHAUST 2014 (chassis No. SA9M3WV2EDP202114) -

- | | | | | | |
|----|----------|---|----|----------|--|
| 1 | U310005 | EXHAUST FRONT PIPE LH POLISHED
STANDARD AND BROOKLANDS | 13 | D090001 | EXHAUST REINFORCEMENT PLATE |
| | U310006 | EXHAUST FRONT PIPE RH POLISHED
STANDARD AND BROOKLANDS | 14 | A310020 | REAR EXHAUST MTG |
| | U310001 | EXHAUST FRONT PIPE LH BLACK | 15 | MXC10002 | EXHAUST MTG HEX COTTON REEL |
| | U310002 | EXHAUST FRONT PIPE RH BLACK | 16 | | BUTTON S/STEEL M8 x10 SOCKET
HD POLISHED HEAD |
| | A310065 | EXHAUST FRONT PIPE LH POLISHED
EURO IV | 17 | P310011 | LH SILENCER HEAT SHIELD POLISHED |
| | A310066 | EXHAUST FRONT PIPE RH POLISHED
EURO IV | | P310012 | RH SILENCER HEAT SHIELD POLISHED |
| 2 | A310025 | 3W LH REAR SILENCER POLISHED | | P310013 | LH SILENCER HEAT SHIELD BLACK |
| | A310026 | 3W RH REAR SILENCER POLISHED | | P310014 | RH SILENCER HEAT SHIELD BLACK |
| | A310035 | 3W LH REAR SILENCER BLACK | 18 | MJPC0079 | COCKPIT EDGING TRIM |
| | A310036 | 3W RH REAR SILENCER BLACK | 19 | | WASHER FLAT 5/16 |
| | U310019 | EXHAUST SILENCER RH NOISEY | 20 | A310022 | SILENCER HEAT SHIELD
LOWER MOUNTING |
| | U310020 | EXHAUST SILENCER LH NOISEY | 21 | A310065 | EU4 EXHAUST HEADER POLISHED LH |
| | U310021 | EXHAUST SILENCER RH STRAIGHT THROUGH | | A310066 | EU4 EXHAUST HEADER POLISHED RH |
| | U310022 | EXHAUST SILENCER LH STRAIGHT THROUGH | 22 | T311001 | EXHAUST HEAT SHIELD SPACER |
| | A310032 | BROOKLANDS EXHAUST LH | | | |
| | A310033 | BROOKLANDS EXHAUST RH | | | |
| 3 | U310011 | EXHAUST CLAMP | | | |
| 4 | SP310001 | NUT | | | |
| 5 | K130006 | GASKET | | | |
| 6 | D310003 | MANIFOLD NUT LOCK TAB PLATE | | | |
| 7 | E130007 | LAMBDA SENSOR | | | |
| 8 | SUN0010 | HEAT TAPE (AUSTRALIA) | | | |
| | SUN0011 | HEAT TAPE BLACK | | | |
| 9 | | NUT M8 NYLOC | | | |
| 10 | A310021 | FRONT EXHAUST MTG | | | |
| 11 | | NUT M8 NYLOC (T) | | | |
| 12 | | WASHER PENNY 5/16 STEEL | | | |



BROOKLANDS EXHAUST

- 1 A310032 BROOKLANDS EXHAUST ASSEMBLY LH
- A310033 BROOKLANDS EXHAUST ASSEMBLY RH
- 2 B310034 FRONT SUPPORT BRACKET LH
- B310035 FRONT SUPPORT BRACKET RH
- 3 MXC10002 RUBBER REAR SILENCER
- 4 NUT M8 NYLOC
- 5 WASHER PENNY 5/16
- 6 B310040 SPACER EXHAUST HEAT SHIELD
- 7 D090001 REINFORCEMENT PLATE REF EXHAUST BKT
- 8 NUT M8 NYLOC
- 9 WASHER PENNY 5/16
- 10 B310036 REAR SUPPORT BRACKET
- B310015 REAR SILENCER EXHAUST MOUNTING BRACKET
- 11 D310008 HEAT SHIELD LH
- D310009 HEAT SHIELD RH
- 12 SOCKET BUTTON M8 X 20
- 13 WASHER PENNY 5/16
- 14 D310015 EXHAUST ADJUSTMENT PLATE
- 15 NUT M8 NYLOC
- 16 WASHER PENNY 5/16
- 17 BUTTON S/STEEL M8 X 10 SOCKET HD POLISHED HEAD
- 18 WASHER PENNY 5/16 STEEL DACROMET
- 19 B310040 SPACER EXHAUST HEAT SHIELD
- 20 WASHER PENNY 5/16 STEEL DACROMET
- 21 NUT M8 NYLOC
- 22 BOLT M8 X 16 HT SET
- 23 WASHER PENNY 5/16 STEEL DACROMET
- 24 NUT M8 NYLOC
- 25 B310028 EXHAUST SUPPORT BRACKET
- 26 SOCKET BUTTON M8 X 20 DACROMET
- 27 WASHER PENNY 5/16
- 28 WASHER S/PROOF 1/4" DACROMET
- 29 NUT 3/8 BSF HEX FULL STEEL ZINC & YELLOW PASSIVATED
- 30 WASHER PENNY 5/16 STEEL DACROMET
- 31 NUT M8 NYLOC
- 32 SOCKET BUTTON M8 X 20 DACROMET
- 33 WASHER PENNY 5/16 STEEL DACROMET
- 34 U310011 EXHAUST CLAMP
- 35 D090097 BROOKLANDS EXHAUST REINFORCEMENT PLATE REAR
- 36 D090098 BROOKLANDS EXHAUST REINFORCEMENT PLATE FRONT
- 37 B310048 LH BROOKLANDS EXHAUST FRONT SUPPORT BKT
- B310049 RH BROOKLANDS EXHAUST FRONT SUPPORT BKT
- 38 B310029 LH BROOKLANDS EXHAUST REAR SUPPORT BKT
- B310030 RH BROOKLANDS EXHAUST REAR SUPPORT BKT
- 39 U310018 EXHAUST MTG HEX COTTON REEL



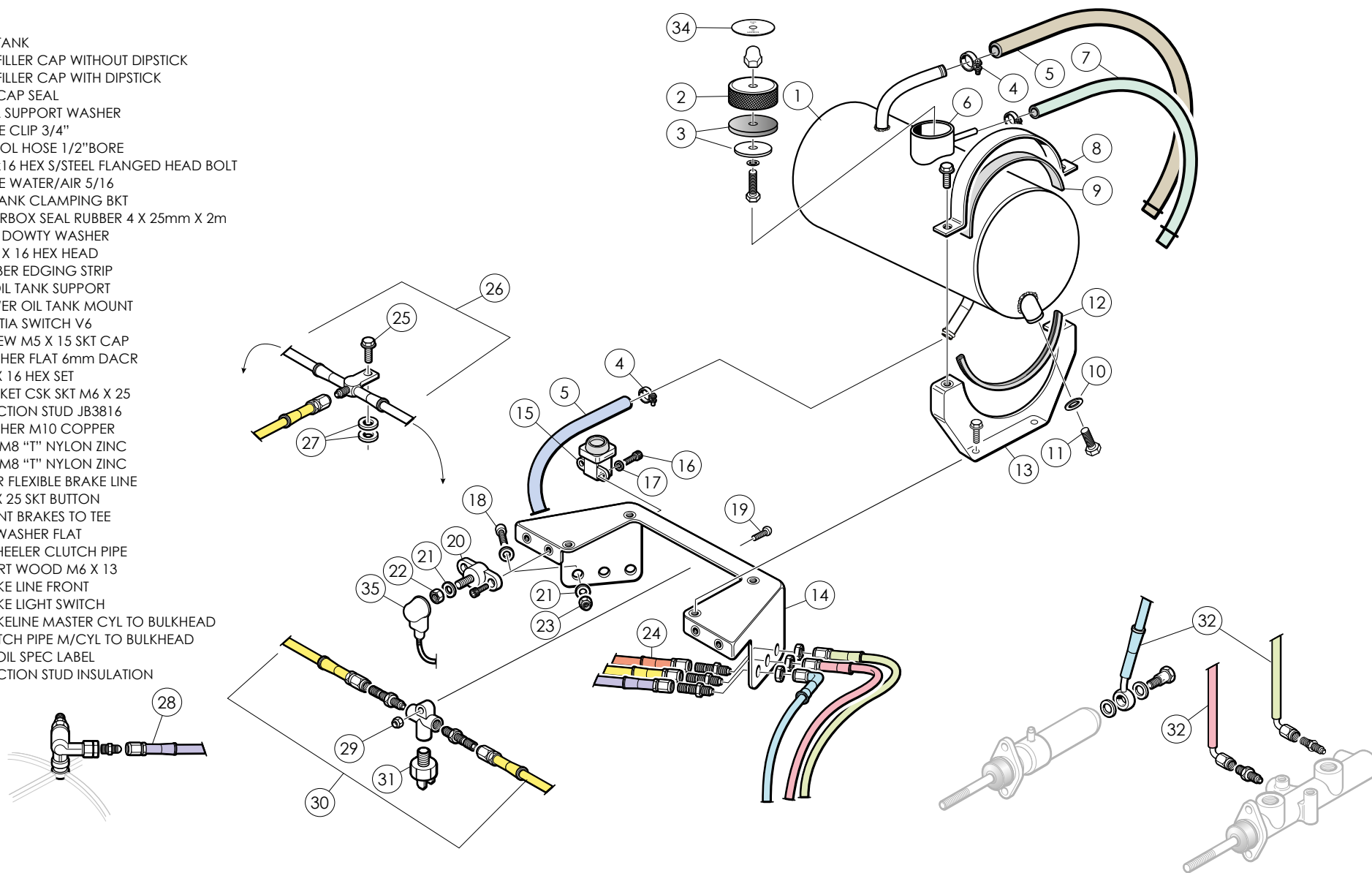


OIL AND FUEL SYSTEM

THREE WHEELER PARTS BOOK Version 6.5

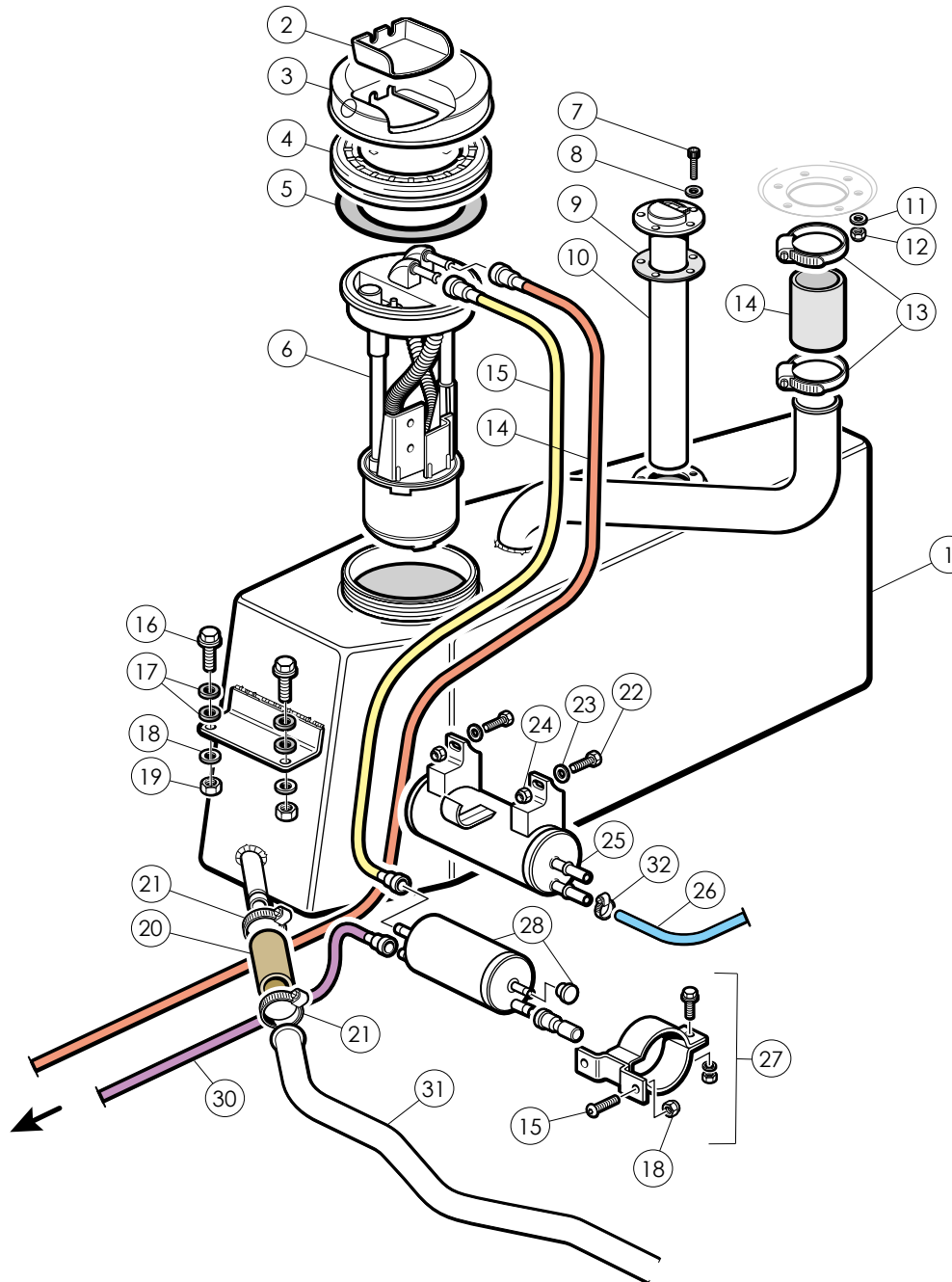
OIL TANK

- 1 A120026 OIL TANK
- 2 U120021 OIL FILLER CAP WITHOUT DIPSTICK
- A220026 OIL FILLER CAP WITH DIPSTICK
- 3 K520002 OIL CAP SEAL
- D130008 SEAL SUPPORT WASHER
- 4 HOSE CLIP 3/4"
- 5 MPS0473 PETROL HOSE 1/2"BORE
- 6 M5 x16 HEX S/STEEL FLANGED HEAD BOLT
- 7 RHW0005 HOSE WATER/AIR 5/16
- 8 B120006 OILTANK CLAMPING BKT
- 9 RUP0105 GEARBOX SEAL RUBBER 4 X 25mm X 2m
- 10 U520014 M12 DOWTY WASHER
- 11 M12 X 16 HEX HEAD
- 12 MGE0036 RUBBER EDGING STRIP
- 13 B120004 LH OIL TANK SUPPORT
- 14 B120002 LOWER OIL TANK MOUNT
- 15 MEE2035 INERTIA SWITCH V6
- 16 SCREW M5 X 15 SKT CAP
- 17 WASHER FLAT 6mm DACR
- 18 M8 X 16 HEX SET
- 19 SOCKET CSK SKT M6 X 25
- 20 MEH06930 JUNCTION STUD JB3816
- 21 WASHER M10 COPPER
- 22 NUT M8 "T" NYLON ZINC
- 23 NUT M8 "T" NYLON ZINC
- 24 Q220004 REAR FLEXIBLE BRAKE LINE
- 25 M6 X 25 SKT BUTTON
- 26 Q220003 FRONT BRAKES TO TEE
- 27 M6 WASHER FLAT
- 28 Q120005 3 WHEELER CLUTCH PIPE
- 29 MGN0029 INSERT WOOD M6 X 13
- 30 Q220008 BRAKE LINE FRONT
- 31 MBH0410 BRAKE LIGHT SWITCH
- 32 Q220012 BRAKELINE MASTER CYL TO BULKHEAD
- 33 Q120004 CLUTCH PIPE M/CYL TO BULKHEAD
- 34 L120003 3W OIL SPEC LABEL
- 35 U340053 JUNCTION STUD INSULATION



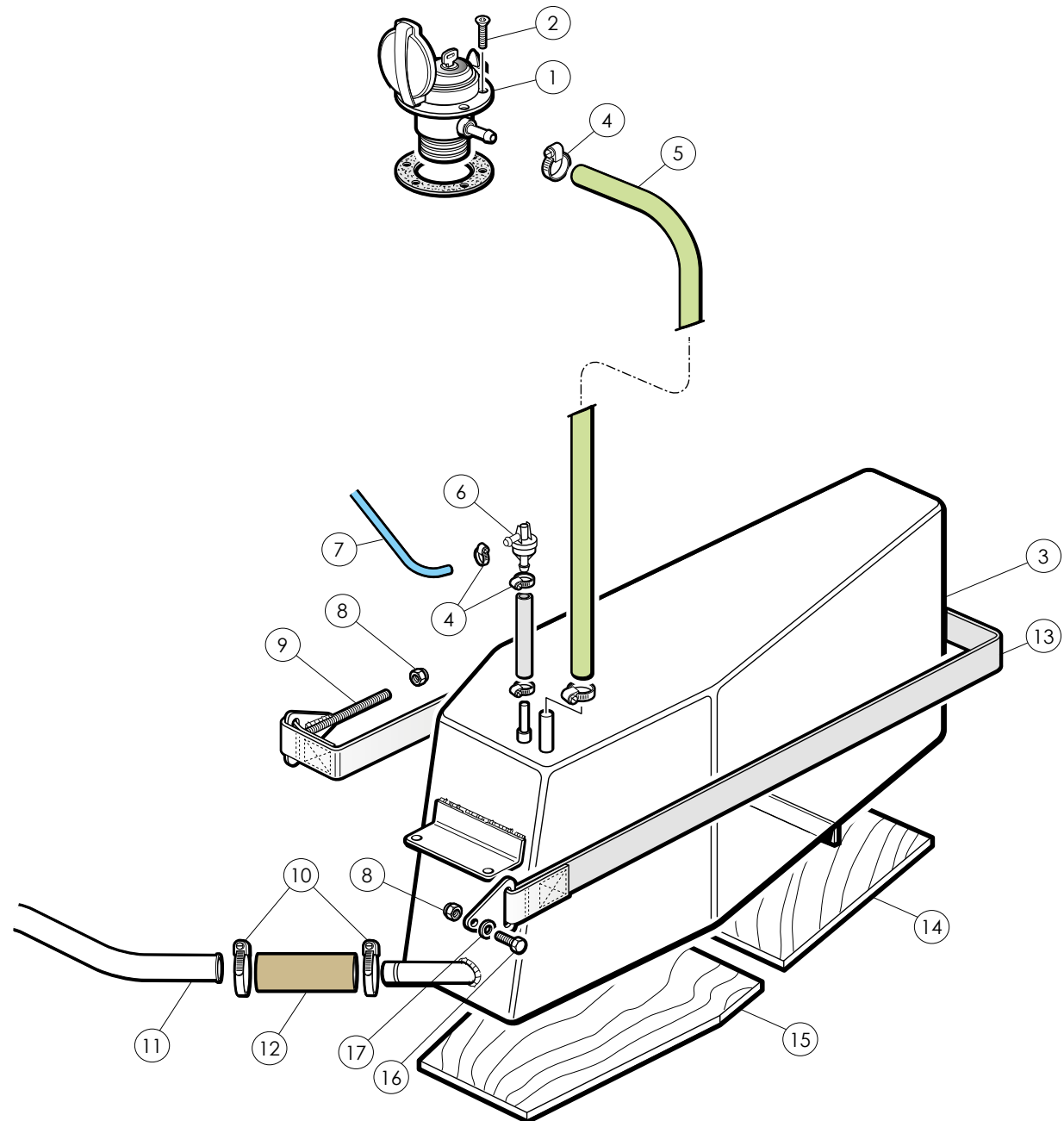
FUEL SYSTEM RIGHT

- | | | |
|----|----------|---|
| 1 | A280003 | FUEL TANK ASSY RIGHT |
| 2 | M280003 | 3W FUEL PUMP COVER |
| 3 | M280004 | 3W FUEL PUMP MAIN |
| 4 | MPS11115 | PETROL LEVEL SENDER |
| 5 | MPS08752 | PETROL PUMP SEAL |
| 6 | U280003 | FUEL PUMP |
| 7 | | M5 X 15 SKT CAP |
| 8 | | NUT AEROTITE M5 |
| 9 | MPS11115 | TANK UNIT RUBBER GASKET |
| 10 | E280004 | FUEL TANK DIP PIPE |
| 11 | | M5 FLAT WASHER S/C |
| 12 | | M5 NYLOC NUT |
| 13 | MGC0075 | HOSE CLIP 40-60MM |
| 14 | U280005 | FUEL HOSE KIT ~ TANK |
| 15 | Q280008 | FUEL FILTER TO PUMP |
| 16 | | BOLT SET M6 x 20 TENSILOCK FLANGED GEOMET |
| 17 | | WASHER 1/4 PENNY 1 X 1 |
| 18 | | WASHER RUBBER 1" O" X 1/4" |
| 19 | | BOLT SET M6 x 20 TENSILOCK FLANGED GEOMET |
| 20 | U280004 | FUEL HOSE KIT ~ TANK |
| 21 | MGC0035 | JUBILEE CLIP 25 - 40 |
| 22 | | SOCKET CAP HD M6 x 35 |
| 23 | | WASHER PENNY 1/4" |
| 24 | | M6 FLANGE NUT |
| 25 | MPS2063 | CHARCOAL CAN |
| 26 | MPS0722 | PETROL PIPE |
| 27 | U250016 | AIRCON BKT R/DRYER |
| 28 | MPS09401 | PETROL FILTER N62 |
| 29 | Q280013 | FUEL FILTER BLANKING PLUG |
| 30 | Q280009 | FUEL FLOW PIPE |
| 31 | Q280003 | TWIN TANK JOINING PIPE |
| 32 | U280010 | 8 / 12mm HOSE CLIP |



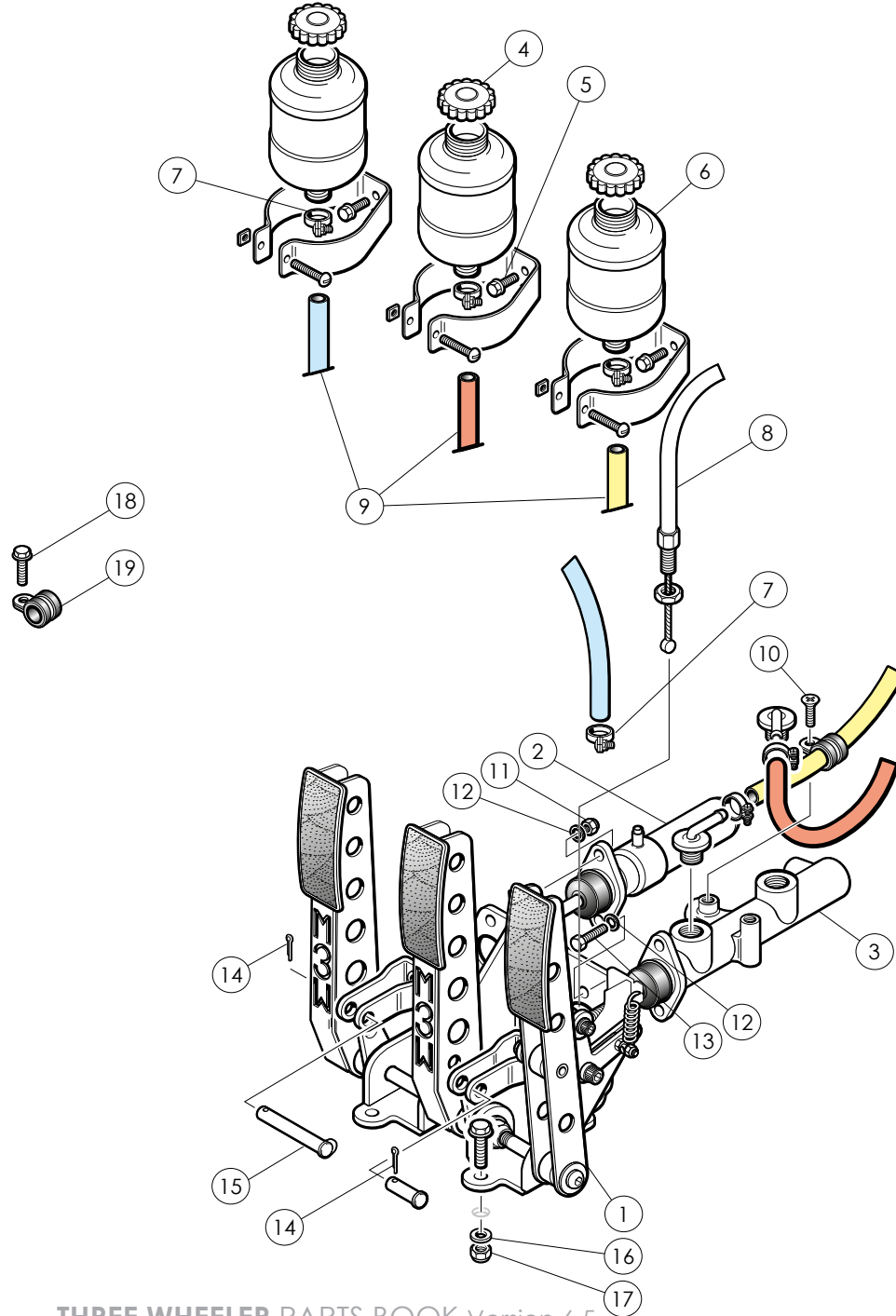
FUEL SYSTEM LEFT

- | | | |
|----|----------|-----------------------------------|
| 1 | U280001 | PETROL FILLER CAP |
| | SP280001 | PETROL CAP KEY |
| 2 | | SOCKET CSK S/S M5 X 16 |
| | | M5 x 20 CSK ORANGE ANODISED SCREW |
| 3 | A280005 | FUEL TANK ASSY LEFT |
| 4 | | 8/12mm HOSE CLIP |
| 5 | MPS0473 | PETROL HOSE 1/2"BORE |
| 6 | U280011 | ROLLOVER VALVE |
| 7 | MPS0722 | PETROL PIPE |
| 8 | | M8 "T" NYLON ZINC |
| 9 | A280008 | FUEL TANK STRAP |
| 10 | MGC0035 | JUBILEE CLIP 25 - 40 |
| 11 | Q280003 | TWIN TANK JOINING PIPE |
| 12 | A280005 | FUEL TANK ASSY LEFT |
| 13 | A280009 | FUEL TANK STRAP |
| 14 | T090026 | FUEL TANK STONEGUARD |
| 15 | T090038 | FUEL TANK STONE GUARD FRONT |
| 16 | | M8 X 16 HEX SET SCREW GEOMET |



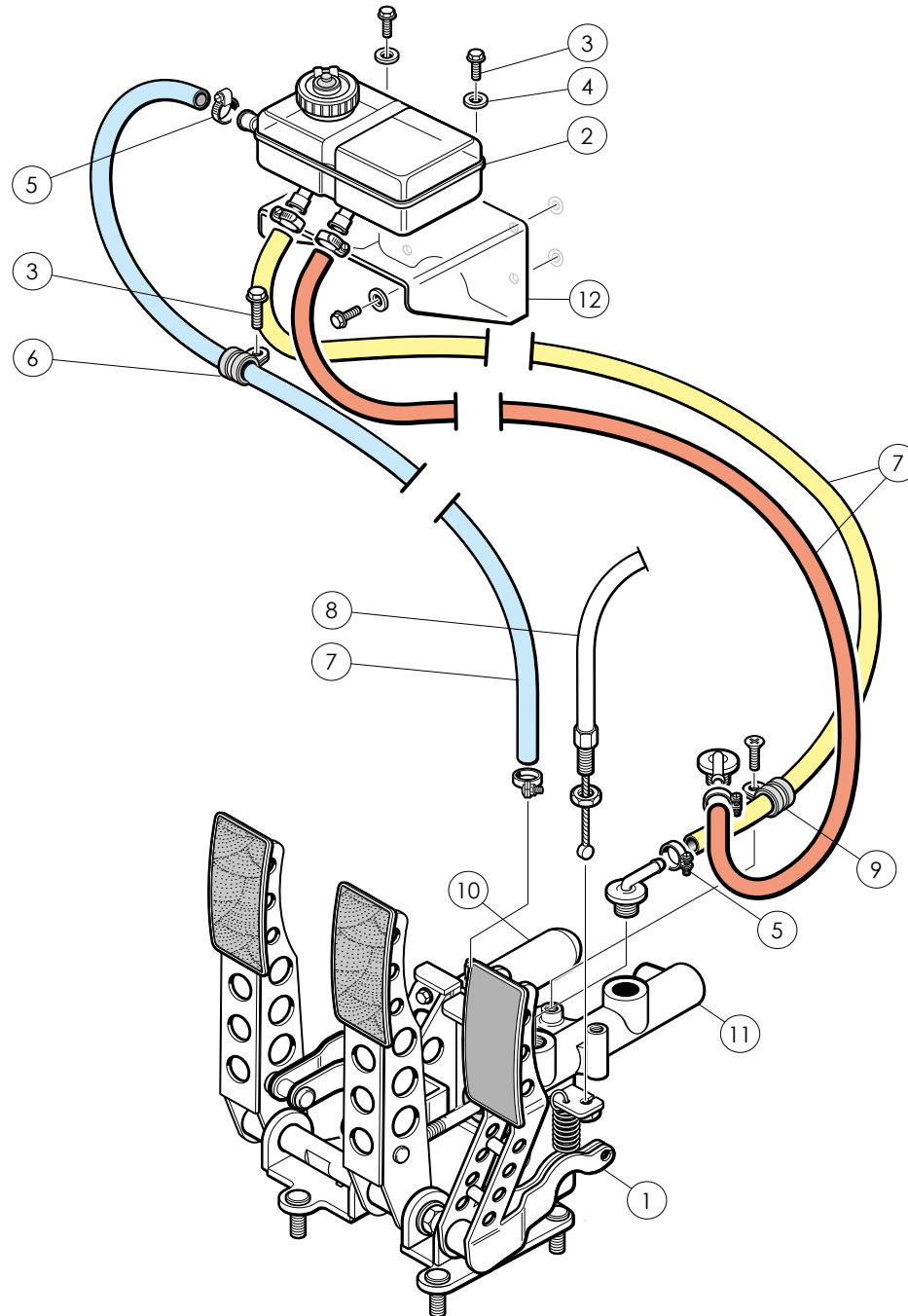
PEDAL BOX JANUARY 2012 - NOVEMBER 2012

- 1 A220019 PEDAL BOX & PEDAL ISSUE E
- 2 U120008 CLUTCH MASTER
- 3 U220008 BRAKE MASTER CYLINDE
- 4 U220019 BRAKE/CLUTCH RESERVOIR
- 5 M5 X 16 HEX S/STEEL FLANGED HEAD BOLT
- 6 U220019 BRAKE/CLUTCH RESERVOIR
- 7 HOSE CLIP 16mm
- 8 U120009 THROTTLE CABLE
- 9 Q220007 HOSE BRAKE,CLUTCH
- 10 BOLT SET M6 X 16
- 11 NUT M8 NYLOC (T)
- 12 WASHER FLAT 5/16
- 13 BOLT SET M8 X 25 HEX
- 14 PIN SPLIT 3/32 X 3/4
- 15 T220025 CLUTCH CLEVIS PIN
- 16 M8 FLAT WASHER
- 17 M8 "T" NYLON ZINC
- 18 BOLT SET M6 X 20
- 19 MGE0143 CLIP METAL RUBBER LINED 16mm DIA



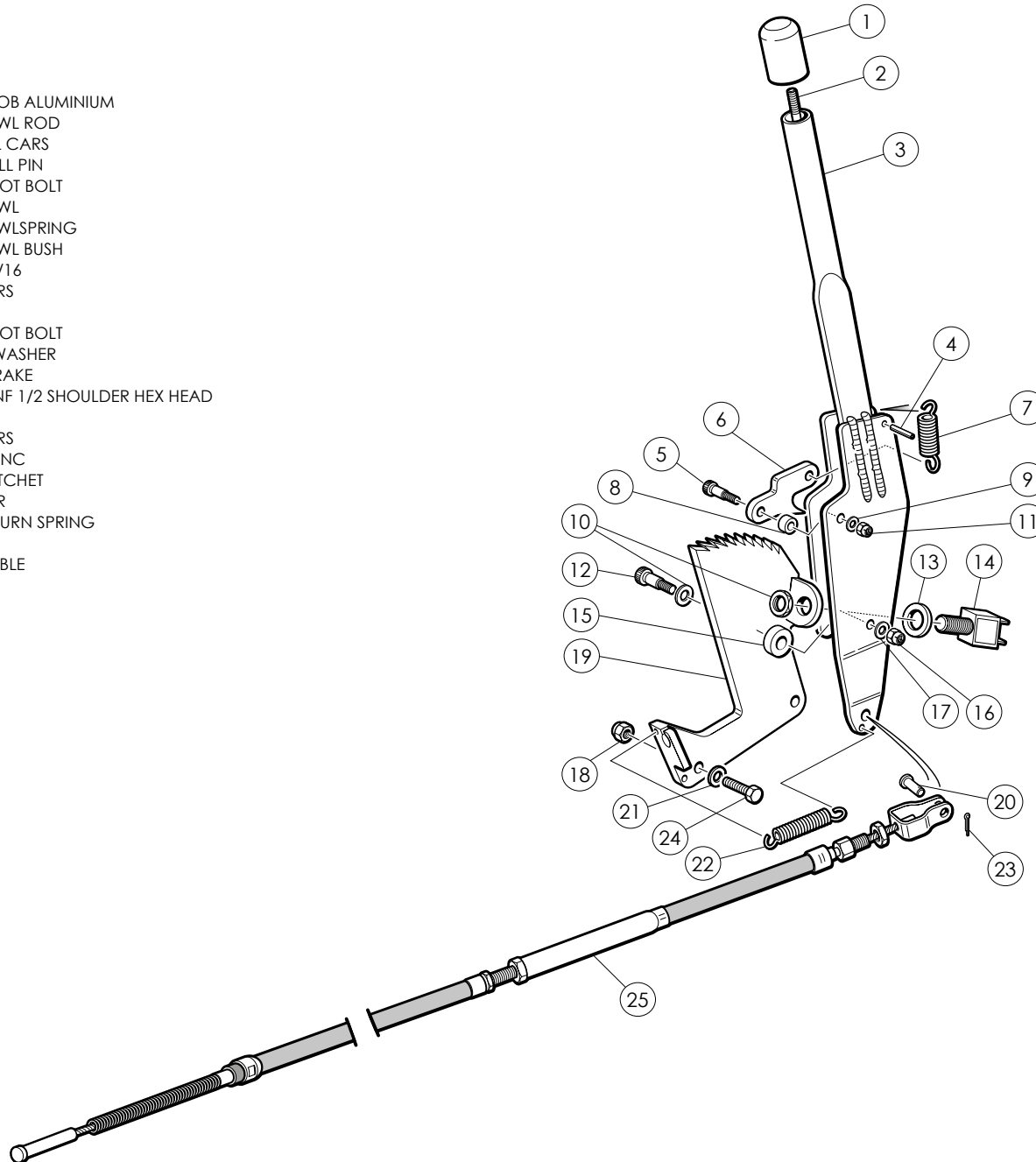
PEDAL BOX ASSEMBLY NOVEMBER 2012 -

- 1 A220027 PEDAL BOX ASSY
- 2 MBH18001 BRAKE/CLUTCH RESERVOIR
- 3 M5 X 16 HEX S/STEEL FLANGED HEAD BOLT
- 4 WASHER PENNY 3/16
- 5 HOSE CLIP 16mm
- 6 MGE0143 CLIP METAL RUBBER LINED
- 7 Q220007 HOSE BRAKE, CLUTCH FLUID (COD3310008)
- 8 U120009 THROTTLE CABLE UP TO 27.08.2013
- 9 N130001 THROTTLE CABLE 27.08.2013 - ON
- 10 MGE0143 CLIP METAL RUBBER LINED 16mm
- 11 U120071 CLUTCH MASTER CYLINDER
- 12 U220038 BRAKE MASTER CYLINDER
- 13 B220001 RESERVOIR MTG BRACKET



HANDBRAKE

- 1 MBH12950 HANDBRAKE KNOB ALUMINIUM
- 2 MBH1380 HANDBRAKE PAWL ROD
- 3 MBH12670 HANDBRAKE ALL CARS
- 4 MBH14100 HANDBRAKE ROLL PIN
- 5 MBH14060 HANDBRAKE PIVOT BOLT
- 6 MBH13700 HANDBRAKE PAWL
- 7 MBH12900 HANDBRAKE PAWLSPRING
- 8 MBH13015 HANDBRAKE PAWL BUSH
- 9 WASHER STEEL 3/16
- 10 5/16 L/P WASHERS
- 11 M5 NYLOC NUT
- 12 MBH14050 HANDBRAKE PIVOT BOLT
- 13 1/2 X 7/8 X 1/8 WASHER
- 14 MDE2600 SWITCH HANDBRAKE
- 15 BOLT 5/16 X 1 UNF 1/2 SHOULDER HEX HEAD
- 16 M6 NYLOC NUT
- 17 5/16 L/P WASHERS
- 18 M8 "T" NYLON ZINC
- 19 MBH13000 HANDBRAKE RATCHET
- 21 M8 FLAT WASHER
- 22 MBH12910 HANDBRAKE RETURN SPRING
- 24 M8 X 25 HT SETS
- 25 U220020 HANDBRAKE CABLE



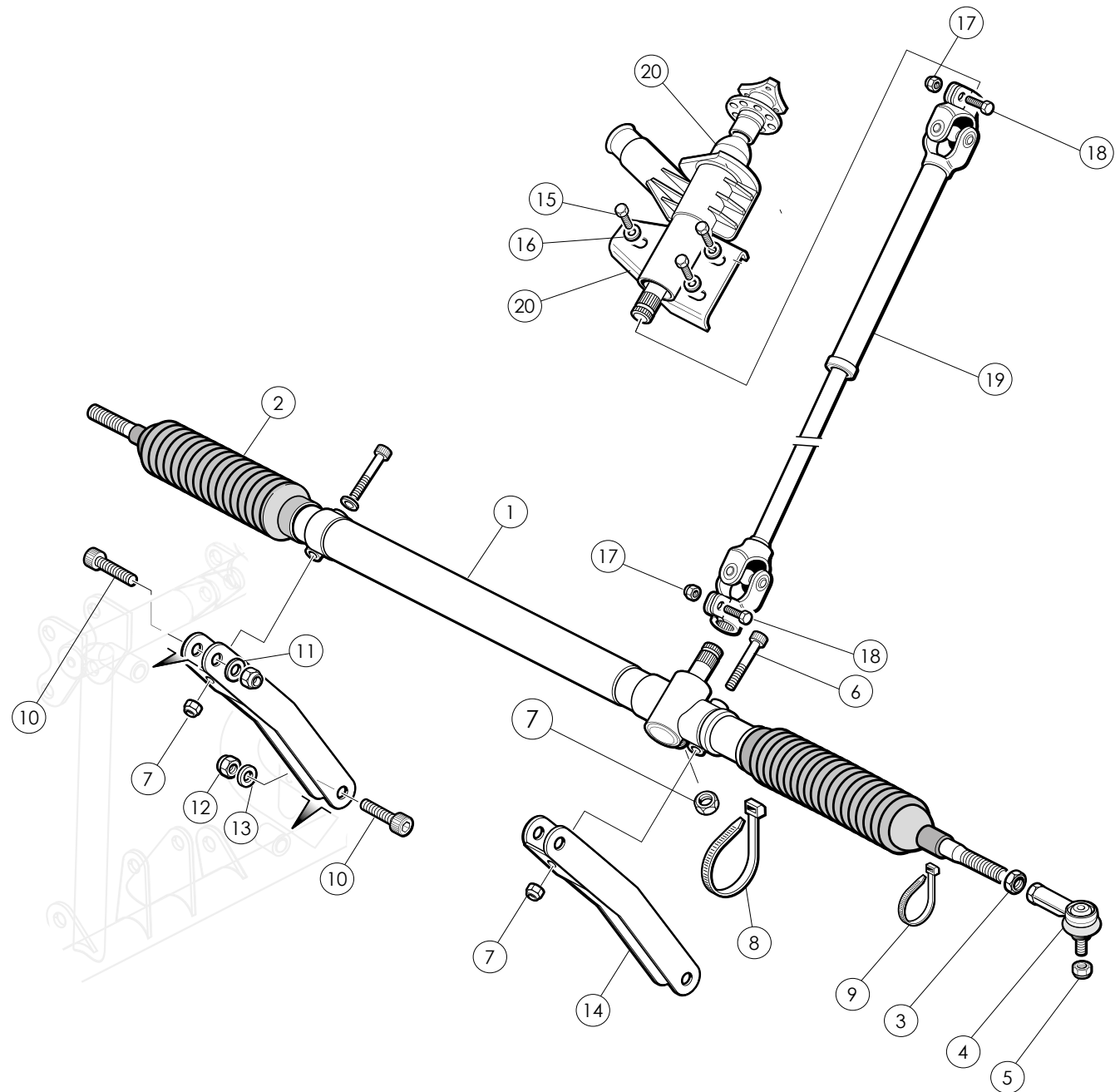


WHEELS AND SUSPENSION

THREE WHEELER PARTS BOOK Version 6.5

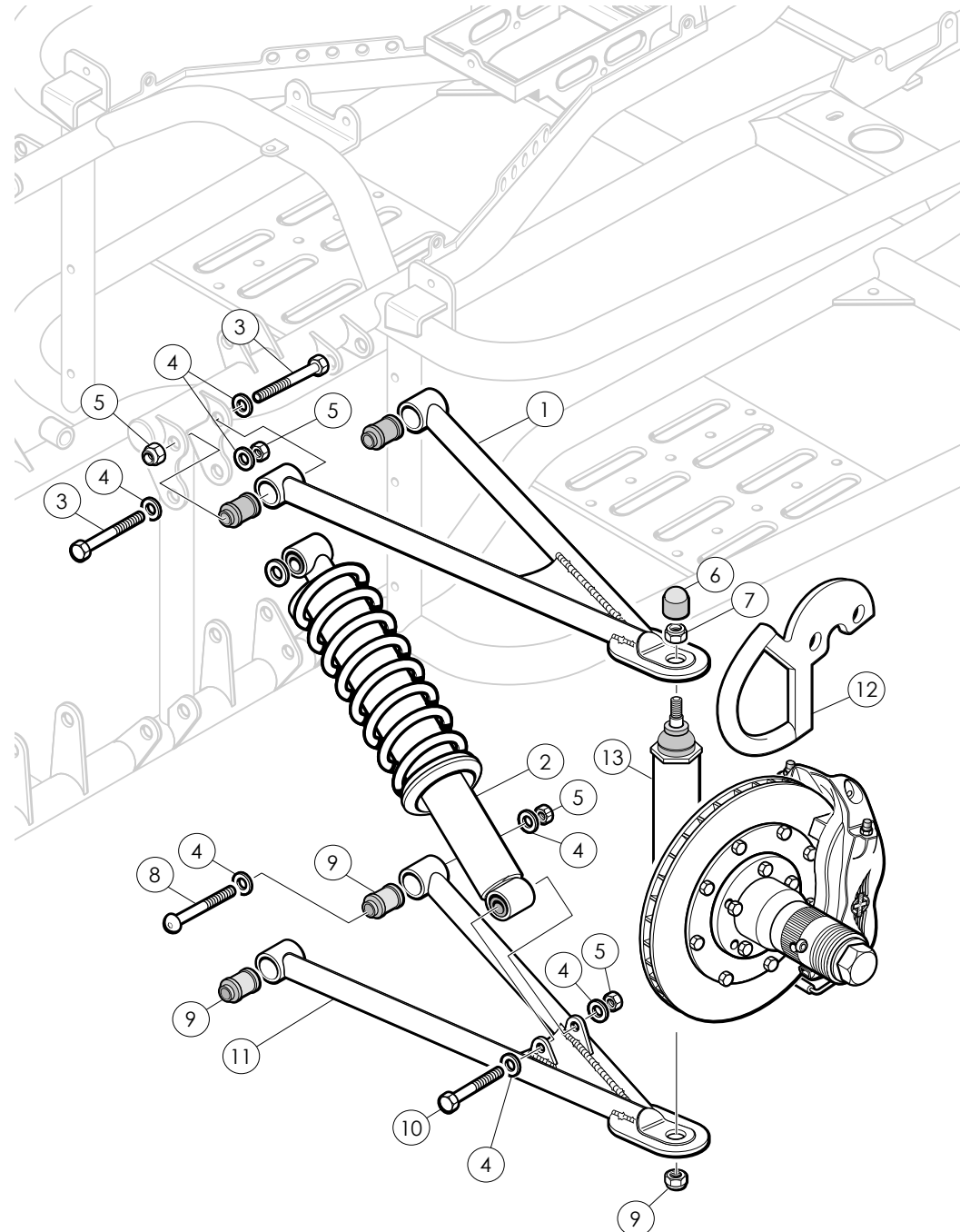
STEERING RACK

- 1 A190005 STEERING RACK - LHD
- A190006 STEERING RACK - RHD
- 2 SP150001 GAITER STEERING RACK
- 3 SP190002 NUT STEERING RACK ARM
- 4 A190023 TRACK ROD END
- 5 M10 X 1.25 NYLOC
- 6 M12 X 65 HEX HEAD
- 7 NUT 7/16 UNF NYLOC T TYPE
- 8 MGE0158 CABLE TIE LONG
- 9 MGE0155 CABLE TIE CZB162
- 10 M12 X 60 SOCKET CAP
- 11 1/2 X 7/8 X 1/8 WASHER
- 12 1/2 X 7/8 X 1/8 WASHER
- 13 M12 NYLOC NUT T
- 14 1/2 X 7/8 X 1/8 WASHER
- 15 A190009 STEERING RACK MTG
- 16 BOLT M8 X 16 HEX SET
- 17 WASHER S/PROOF 5/16 STEEL SERRATED
- 18 M8 "T" NYLON ZINC
- 19 MGB0520 BOLT SET 7/16 X 2.5
- 20 A190010 STEERING SHAFT & JOINTS TO RACK ASSY
- A190003 STEERING COLUMN UP TO 01.06.16
- U190051 STEERING COLUMN 01.06.16 ON



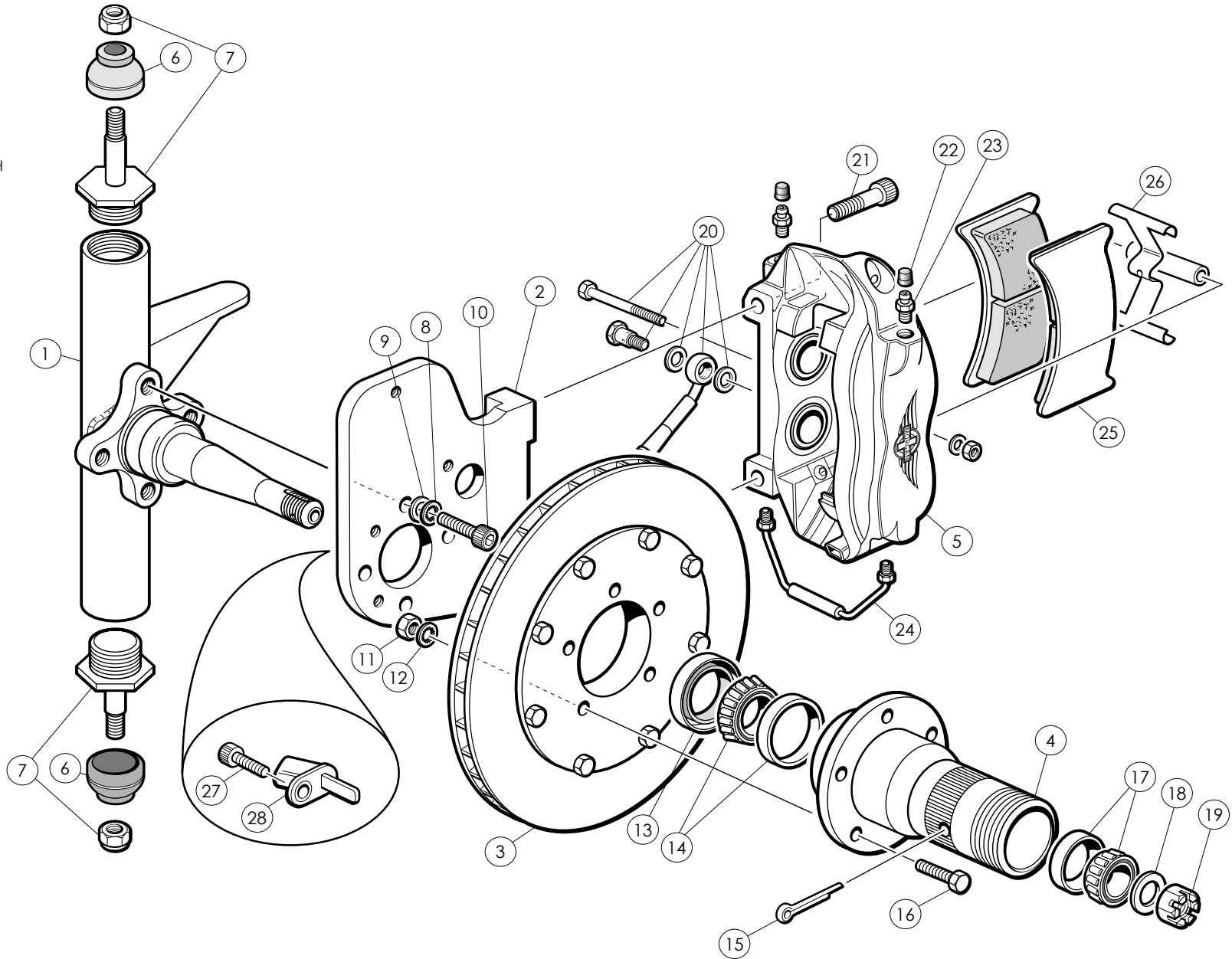
FRONT WHEEL SUSPENSION

- 1 A160004 TOP WISHBONE ASSY LH
A160006 TOP WISHBONE ASSY RH
- 2 S160002 FRONT COILOVER UNIT
SP160002 SHOCKABSORBER SPAX
SP160003 SHOCKABSORBER FRONT SPAX ROAD
- 3 M12 X 70 HEX HEAD
- 4 WASHER FLAT 1/2
- 5 M12 NYLOC NUT T
- 6 U160007 M12 BLACK PROTECTION CAP COVER
- 7 A150002 BALL JOINT
- 8 BUTTON HD M12 X 70 X 1.75 SCREW
- 9 M150002 WISHBONE BUSH
- 10 M12 X 65 HEX HEAD
- 11 A0160005 WISHBONE LOWER LH
A0160008 WISHBONE LOWER RH
- 12 A220049 BRAKE DISC GUARD LH
A220059 BRAKE DISC GUARD RH
- 13 FRONT UPRIGHT - SEE FRONT BRAKE



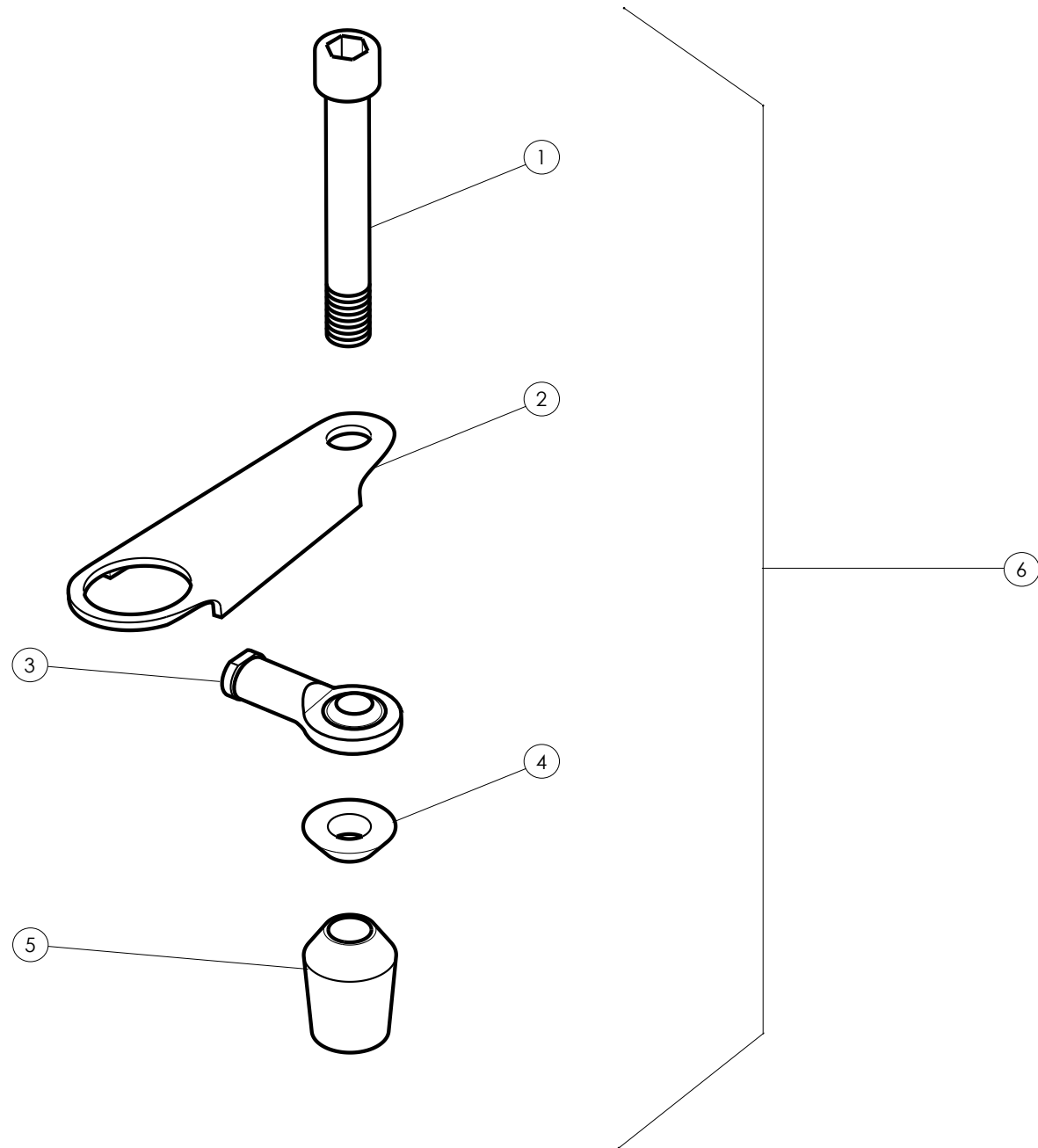
FRONT BRAKE

- 1 A160009 FRONT LH UPRIGHT
- A160010 FRONT RH UPRIGHT
- A160015 UPRIGHT L/H 2014 -
- A160016 UPRIGHT R/H 2014 -
- A160044 FRONT UPRIGHT RAISED RIDE HEIGHT LH
- A160045 FRONT UPRIGHT RAISED RIDE HEIGHT RH
- 2 T220008 LH FRONT CALIPER BRACKET
- T220043 RH FRONT CALIPER BRACKET
- 3 T220047 FRONT BRAKE DISC
- 4 T160030 HUB FRONT RHT/LHS
- T160031 HUB FRONT LHT/RHS
- 5 T220048 LH FRONT CALIPER
- T220049 RH FRONT CALIPER
- 6 SP160001 BOOT BALL JOINT GAITOR
- 7 A150002 BALL JOINT
- 8 WASHER M10 COPPER
- 9 WASHER M10
- 10 M10 X 20 X 1.25 SKT CAP HD
- 11 NUT 5/16
- 12 WASHER SHAKEPROOF 5/16
- 13 MFH0010 OIL SEAL FRONT HUB
- 14 MFH0060 BEARING INNER FRONT
- 15 PIN SPLIT 1/8 X 1.1/
- 16 BOLT 5/16 X 1
- 17 MFH0180 BEARING OUTER FRONT
- 18 MFS0260 STUB AXLE WASHER 3/4
- 19 NUT 3/4 X 20 SLOTTED STEEL ZINC /YELLOW PASSIVATED
- 20 Q220003 FRONT BRAKES TO TEE
- Q220008 BRAKE LINE FRONT
- 21 M220002 SCREW CAP HD M10 X 35 X 1.25
- 22 M220002 BLEED NIPPLE CAP
- 23 U220018 BLEED NIPPLE
- 24 Q220005 FRONT BRAKE CALIPER HALFS LINK PIPE
- 25 U220005 FRONT PAD KIT
- 26 A220022 FRONT BRAKE PAD RETAINING KIT
- 27 SOCKET BUTTON M6 x 15 DACROMET
- 28 WASHER FLAT 6mm DACR
- 29 E340110 SPEED SENSOR
- U160011 BALL JOINT WASHER 3W



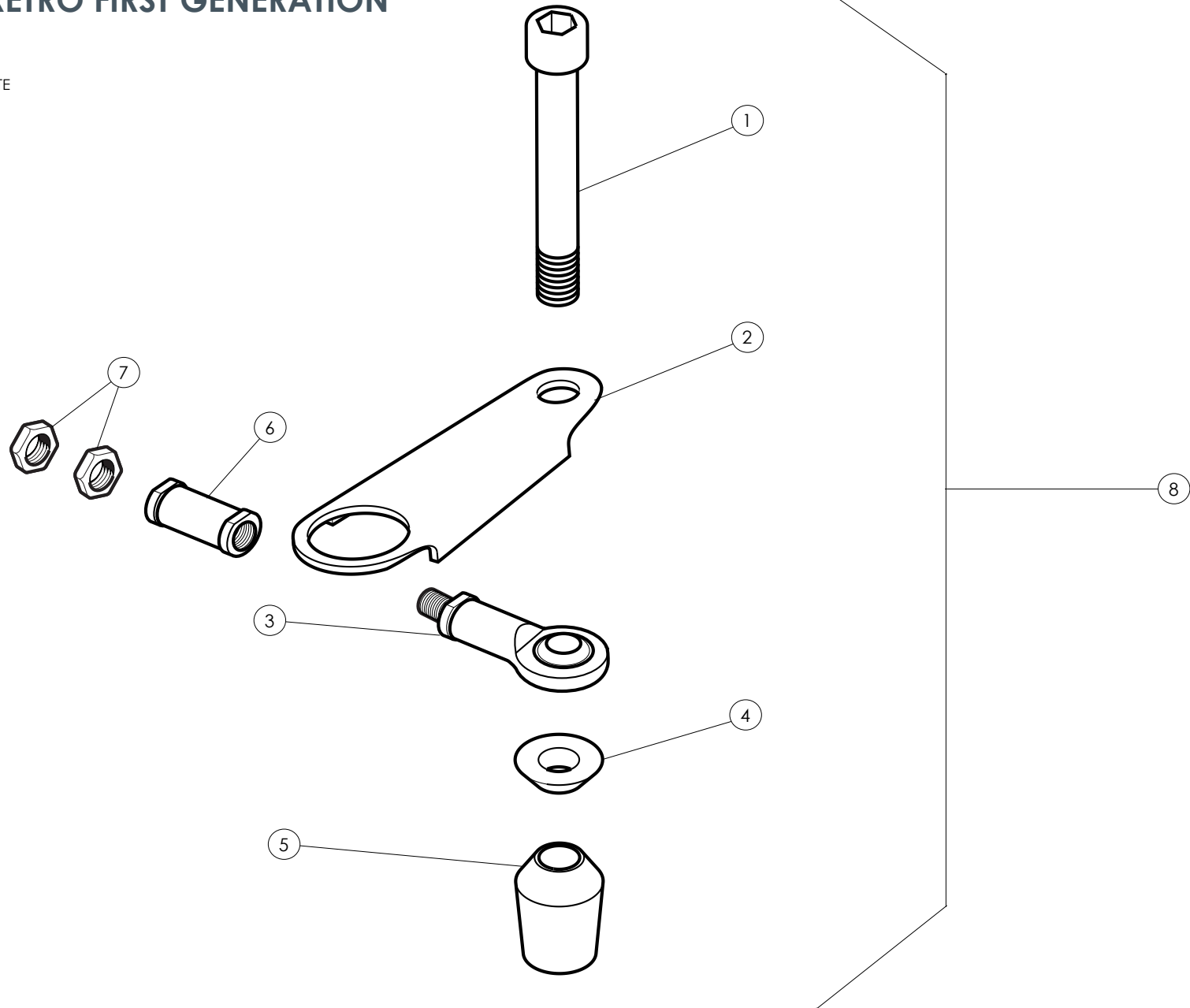
STEERING UPGRADE RETRO FIT

- 1 M14 SKT CAP HEAD
- 2 D190003 ROD END RAISER SUPPORT PLATE
- 3 SA190001 SPHERICAL ROSE JOINT
- 4 T190032 ROD END RAISER TOP WASHER
- 5 T190031 ROD END RAISER SPACER
- 6 SP160004 TCA LIFT KIT



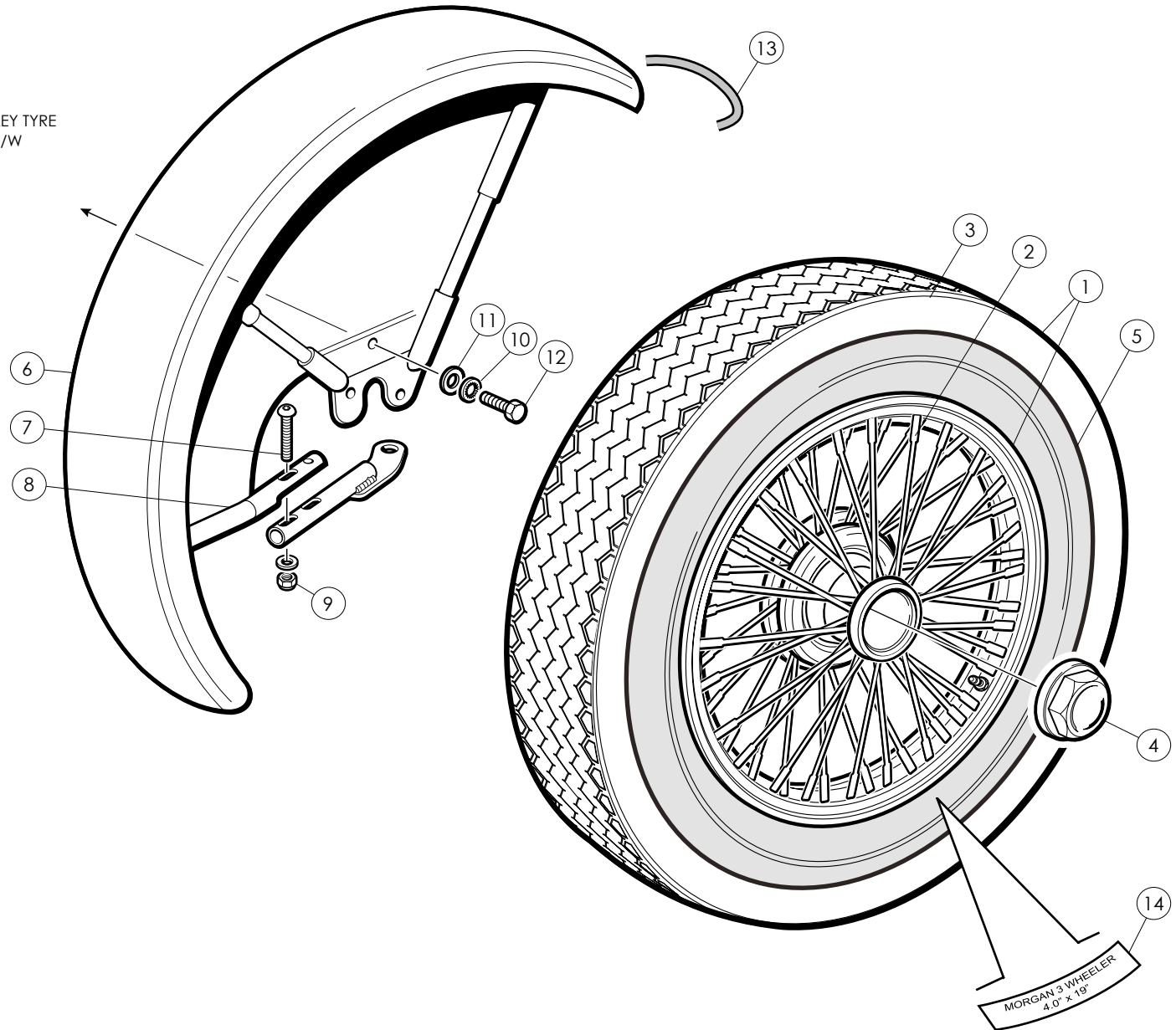
STEERING UPGRADE RETRO FIRST GENERATION

- 1 M14 SKT CAP HEAD
- 2 D190003 ROD END RAISER SUPPORT PLATE
- 3 SA190002 SPHERICAL ROSE JOINT
- 4 T190032 ROD END RAISER TOP WASHER
- 5 T190031 ROD END RAISER SPACER
- 6 T010001 SPACER
- 7 SP190003 HALF NUT
- 8 SP160006 TCA LIFT KIT



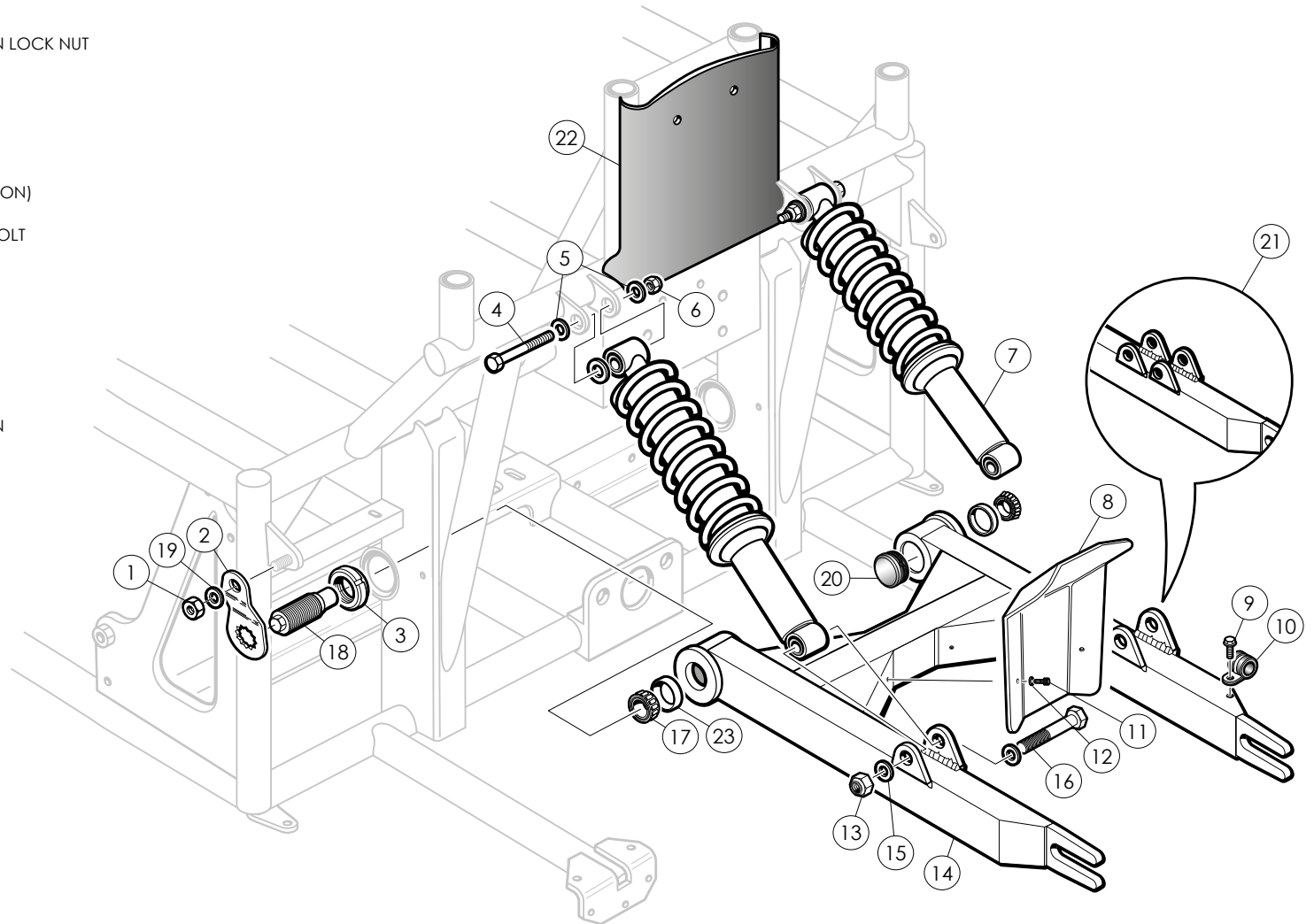
FRONT WHEEL ASSEMBLY

- 1 A010004 FRONT WHEEL ASSY C/W TYRE
- A190016 SUPERDRY FRONT WHEEL
- A180004 FRONT WHEEL ASSY BLACK C/W BLOCKLEY TYRE
- A180007 FRONT WHEEL ASSY BODY COLOURED C/W BLOCKLEY TYRE
- 2 SP160005 ROAD WHEEL BLACK
- U180015 BLOCKLEY TYRE
- 3 U010003 19" TYRE-SAFETY MILEAGE MK11 4.00-19
- U010002 INNER TUBE
- U190003 TYRE ORANGE RIMMED SUPER-DRY
- 4 MRW0280 HUB CAP LH
- MRW0270 HUB CAP RH
- U180011 HUB CAP LH BRASS
- U180012 HUB CAP RH BRASS
- 5 U010002 INNER TUBE 4.00 H19
- 6 A090005 MUDGUARD LEFT UP TO 2014
- A090006 MUDGUARD RIGHT UP TO 2014
- A090062 MUDGUARD LH 2014 -
- A090063 MUDGUARD RH 2014 -
- A090172 FRONT MUDGUARD LH EU4
- A090173 FRONT MUDGUARD RH EU4
- 7 M6 X 25 SKT BUTTON
- 8 M6 WASHER FLAT
- 9 NUT M6 NYLOC
- 10 WASHER S/PROOF 5/16
- 11 WASHER FLAT 5/16
- 12 M8 X 16 HEX SET SCREW
- 13 MJPC0079 COCKPIT EDGING TRIM
- 14 L180001 3W WHEEL RIM STICKER FRONT



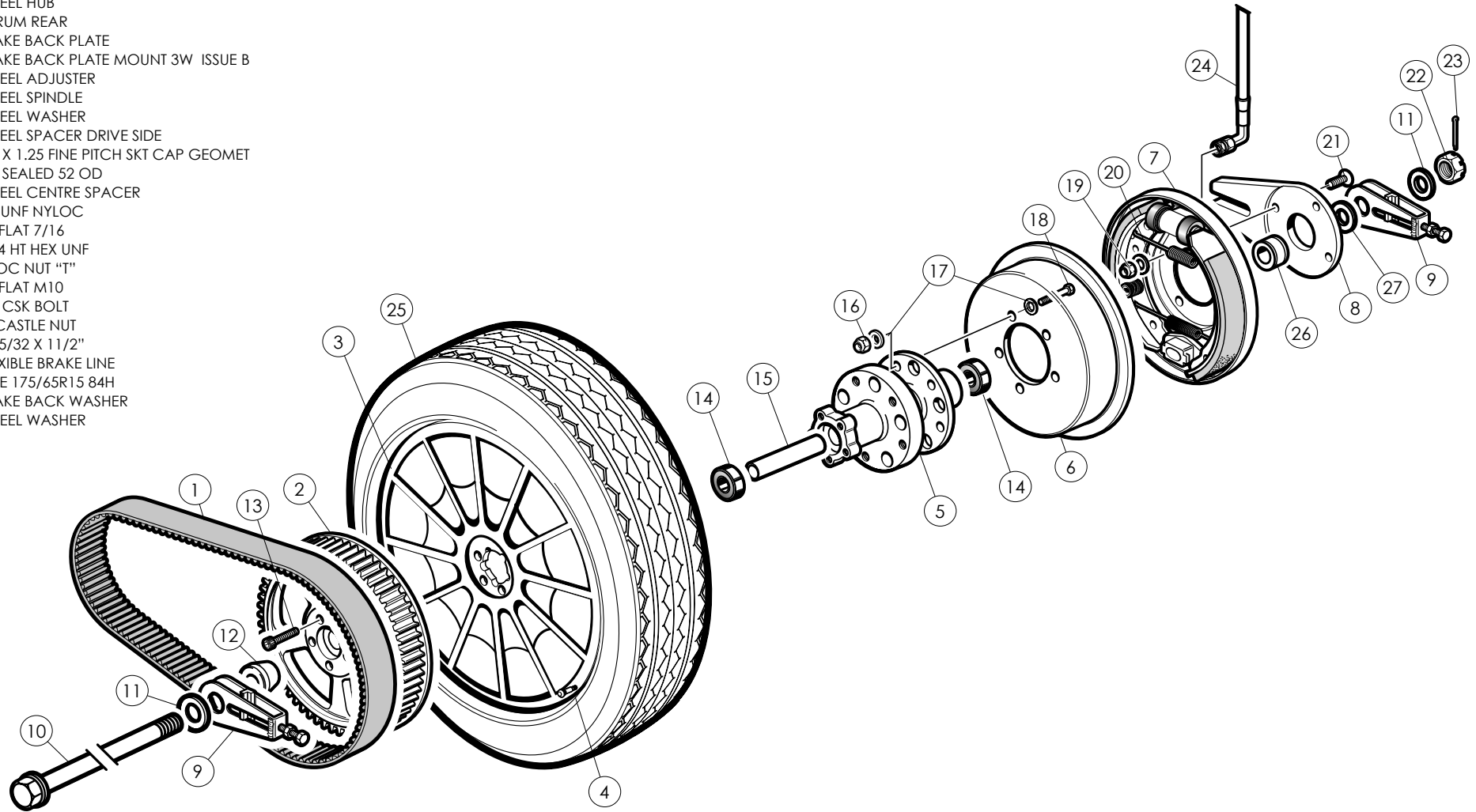
REAR WHEEL SUSPENSION

- 1 M10 NYLOCK NUT
- 2 B170006 SWING ARM PIN LOCATING BRACKET
- 3 T170007 SWING ARM THREADED MOUNTING PIN LOCK NUT
- 4 M12 X 70 HEX HEAD
- 5 WASHER FLAT 1/2
- 6 NUT M12 NYLOC
- 7 S170002 REAR COILOVER UNIT
- S170001 SHOCK ABSORBER REAR (SPAX TRACK)
- S170005 REAR COILOVER UNIT
(EU4 ROYAL BLUE COLOUR, NOV 2017-ON)
- 8 P170003 REAR WHEEL DIRT CATCHER
- 9 M5 X 16 HEX S/STEEL FLANGED HEAD BOLT
- 10 MGE0143 CLIP METAL RUBBER LINED 16mm
- 11 M8 X 25 HT SETS
- 12 WASHER FLAT M10
- 13 M12 NYLOC NUT
- 14 A170002 REAR SWING ARM ASSY
- 15 WASHER FLAT 1/2
- 16 M12 X 70 HEX HEAD
- 17 U170001 BEARING, SWING ARM
- 18 T510001 SWING ARM THREADED MOUNTING PIN
- 19 M10 FLAT WASHER
- 20 SA150004 REAR SWING ARM PLUG
- 21 A170002 REAR SWING ARM ASSY EURO IV
- 22 P060067 SEATBELT SPLASH SHIELD 3W
- 23 SP171002 SWING ARM OIL SEAL YBEARING 3



REAR WHEEL ASSEMBLY

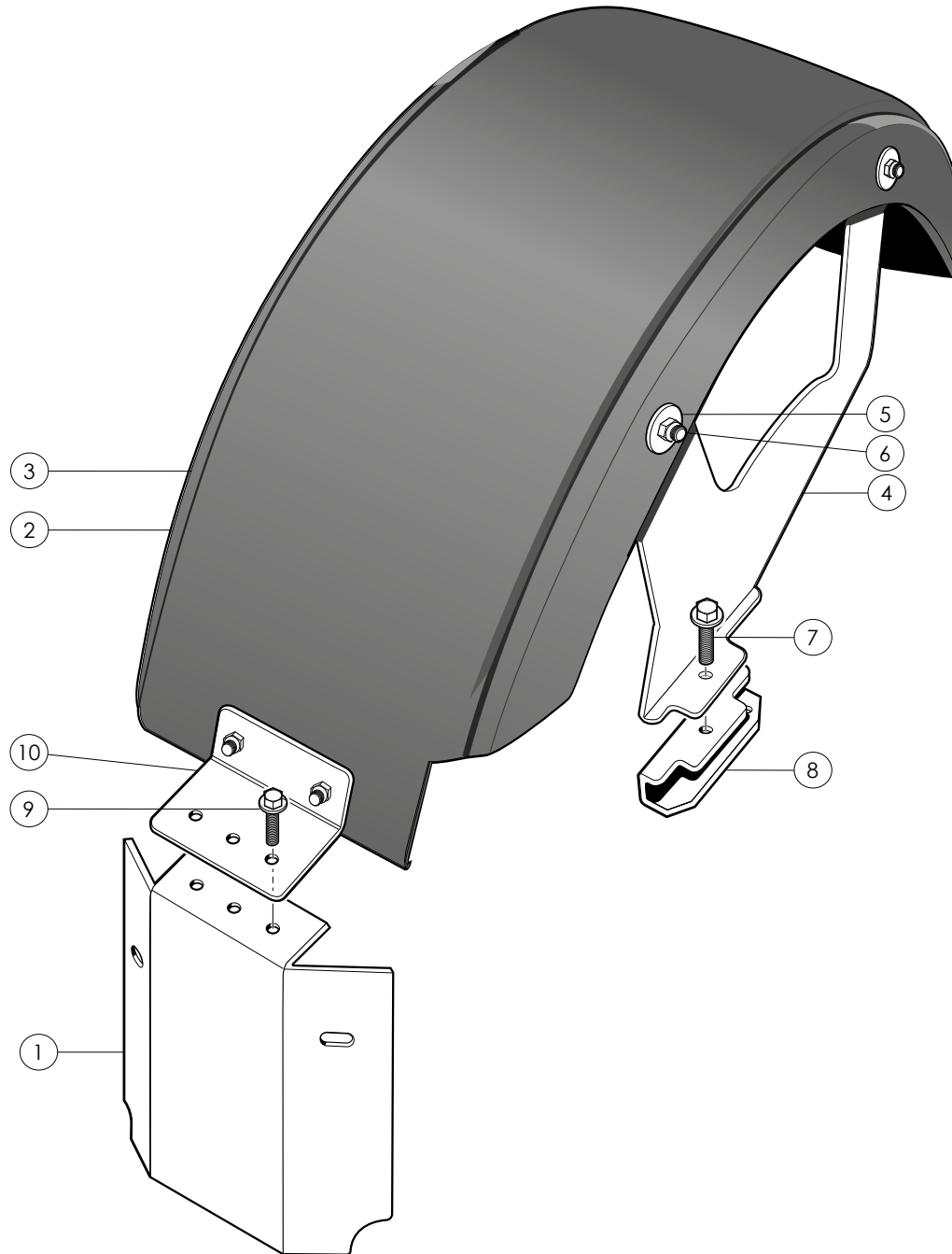
- 1 U120003 DRIVE BELT 133 TOOTH 38mm WIDE, 14mm PITCH
- 2 A120032 REAR SPROCKET STEEL
- 3 Y120002 REAR WHEEL 3 WHEELER
- 4 MRW01952 TYRE VALVE
- 5 T120014 REAR WHEEL HUB
- 6 MBS0740 BRAKE DRUM REAR
- 7 A220017 REAR BRAKE BACK PLATE
- 8 D220001 REAR BRAKE BACK PLATE MOUNT 3W ISSUE B
- 9 A120031 REAR WHEEL ADJUSTER
- 10 T120017 REAR WHEEL SPINDLE
- 11 T520004 REAR WHEEL WASHER
- 12 T120003 REAR WHEEL SPACER DRIVE SIDE
- 13 M10 X 40 X 1.25 FINE PITCH SKT CAP GEOMET
- 14 U120006 BEARING SEALED 52 OD
- 15 T120002 REAR WHEEL CENTRE SPACER
- 16 NUT 7/16 UNF NYLOC
- 17 WASHER FLAT 7/16
- 18 7/16 X 1/4 HT HEX UNF
- 19 M10 NYLOC NUT "T"
- 20 WASHER FLAT M10
- 21 M10 X 30 CSK BOLT
- 22 T510002 M24 X 2 CASTLE NUT
- 23 MGP0161 PIN SPLIT 5/32 X 11/2"
- 24 Q220004 REAR FLEXIBLE BRAKE LINE
- 25 U170003 REAR TYRE 175/65R15 84H
- 26 T220045 REAR BRAKE BACK WASHER
- 27 T52009 REAR WHEEL WASHER



REAR MUD GUARD

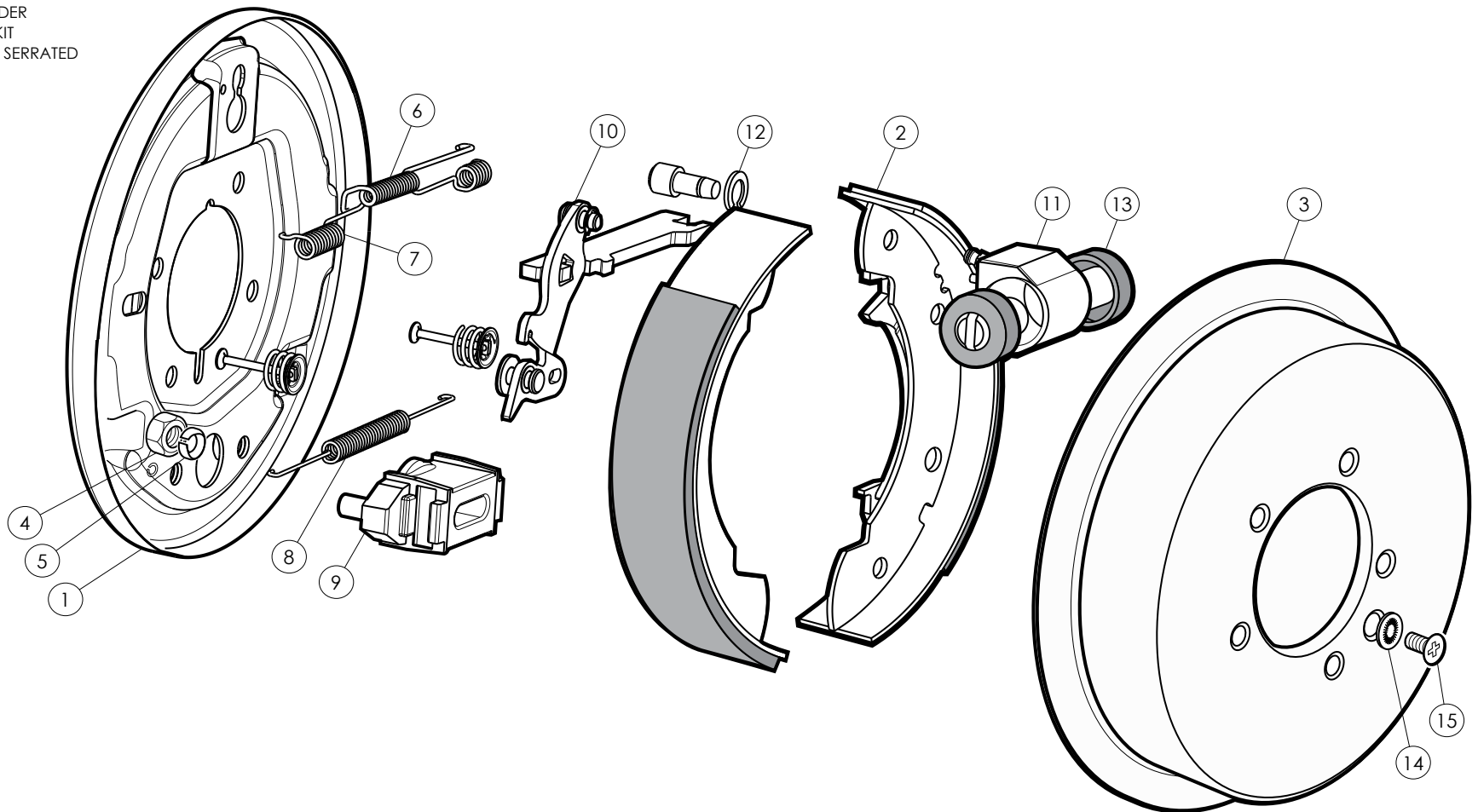
1	B400045	MUDGUARD SWING ARM BRACKET QUICK RELEASE
2	M180001	REAR MUDGUARD MOULDING
3	M180001	M3W REAR MUDGUARD MOULDING
4	B400043	LH UPPER MUDGUARD QUICK RELEASE BRACKET
	B400042	RH UPPER MUDGUARD QUICK RELEASE BRACKET
5		WASHER PENNY 1/4"
6		NUT M6 NYLOC
7		M5 x 16 HEX S/STEEL FLANGED HEAD BOLT
8	B400042	LH UPPER MUDGUARD QUICK RELEASE BRACKET
	B400043	RH UPPER MUDGUARD QUICK RELEASE BRACKET
9		BOLT SET M6 x 16 TENSILOCK FLANGED
10	B400044	MUDGUARD FRONT BRKT QUICK RELEASE

LMC7062 REAR MUDGUARD KIT
(FOR VEHICLES WITHOUT MUDGUARD FITTED)



REAR BRAKE ASSEMBLY

- | | | |
|----|---------|---|
| 1 | A220017 | BRAKE BACK PLATE ASSY |
| 2 | U220016 | REAR BRAKE SHOES |
| 3 | MBS0740 | BRAKE DRUM REAR |
| 4 | | NUT M10 HEX FULL STEEL ZINC AND YELLOW |
| 5 | | WASHER SPRING 3/8 STEEL |
| 6 | MBS0868 | BRAKE SHOE SPRING |
| 7 | MBS0865 | BRAKE SHOE SPRING |
| 8 | MBS0867 | BRAKE SHOE SPRING |
| 9 | MBS0905 | BRAKE SHOE LOCATING BLOCK |
| 10 | A220017 | BRAKEBACK PLATE ASSY |
| 11 | Y220002 | REAR WHEEL CYLINDER |
| 12 | MBS1161 | CLIP WHEEL CYLINDER |
| 13 | MBS1240 | WHEEL CYLINDER KIT |
| 14 | | WASHER INTERNAL SERRATED
1/4" "DACROMET" |
| 15 | | BOLT SET 1/4 X 1/2 |





BODY

THREE WHEELER PARTS BOOK Version 6.5

CHASSIS

- 1 A060002 CHASSIS ASSEMBLY
- 2 A060077 CHASSIS ASSEMBLY 2014 -
- 3 D080001 SCUTTLE TO BODY SHIM 3.0 mm
- D090062 SCUTTLE TO BODY SHIM 1.5 mm

UP TO
20.12.2014

Kit of parts if updating chassis to 2014-on

SP060003 CHASSIS UPGRADE KIT LHD - INCLUDES:

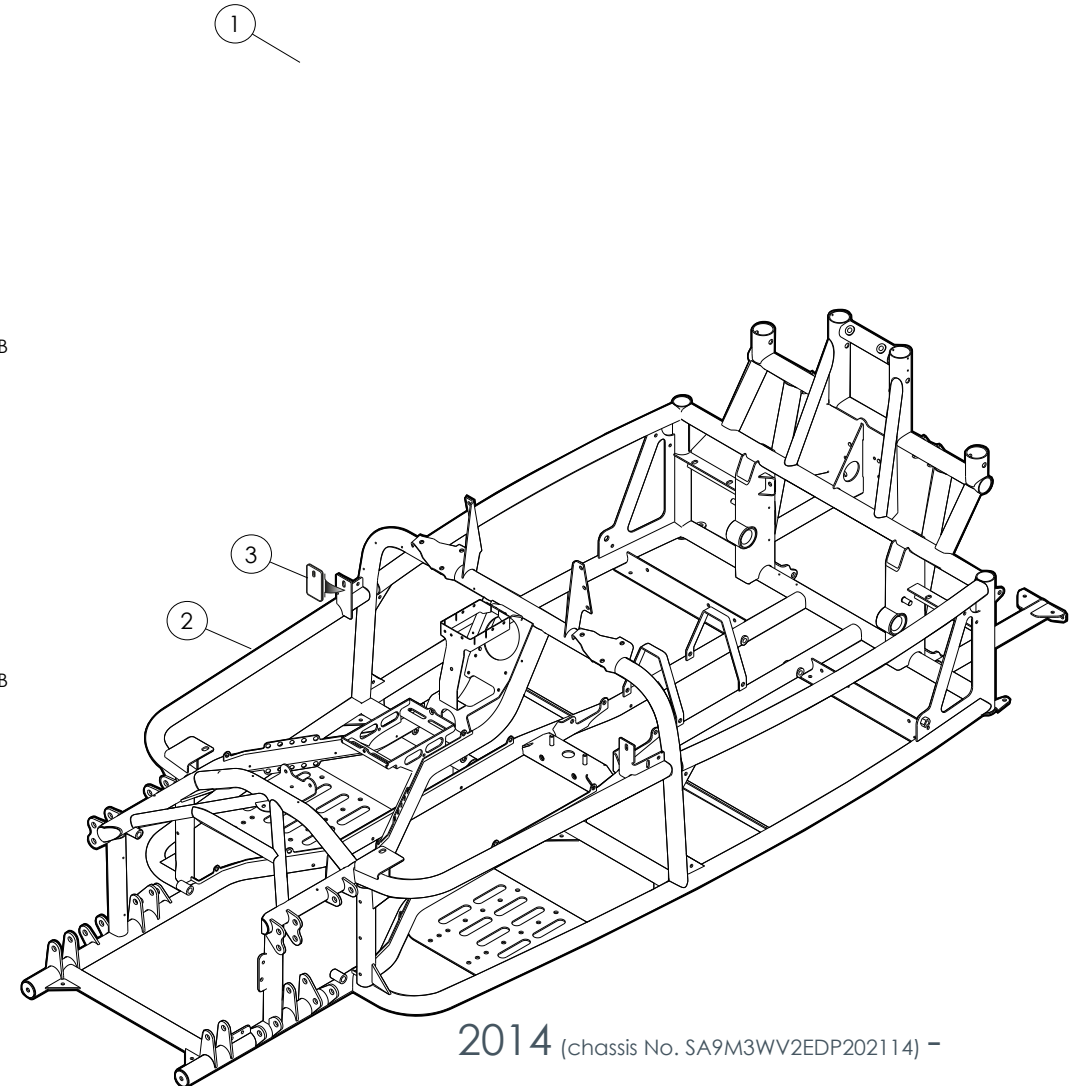
- REAR INFILL PANEL LH ISSUE B
- REAR INFILL PANEL RH ISSUE B
- M3W SWING ARM PIN LOCKING BRACKET
- FUEL PUMP COVER
- M3W FUEL PUMP MAIN COVER
- RIVET POP 3.2 X 9.5MM BLACK LARGE HEAD RIVET 10MM
- RIVET POP 3.2 X 16 BLACK LARGE HD 10MM FLANGE
- RIVNUT INSERT 5MM
- RIVNUT INSERT 6MM
- GEAR BOX TUNNEL LH SIDE PANEL 3 WHEELER
- PANEL GEARBOX TUNNEL FRONT RH SIDE FOR LHD 3 WHEELER
- SEAT BELT COVER LOWER

SP060004 CHASSIS UPGRADE KIT RHD - INCLUDES:

- REAR INFILL PANEL RH ISSUE B
- M3W SWING ARM PIN LOCKING BRACKET
- FUEL PUMP COVER
- M3W FUEL PUMP MAIN COVER
- RIVET POP 3.2 X 9.5MM BLACK LARGE HEAD RIVET 10MM
- RIVET POP 3.2 X 16 BLACK LARGE HD 10MM FLANGE
- RIVNUT INSERT 5MM
- RIVNUT INSERT 6MM
- GEAR BOX TUNNEL LH SIDE PANEL 3 WHEELER
- SEAT BELT COVER LOWER
- SEAT BELT UNDER TRAY 3WHEELER

- SEAT BELT UNDER TRAY 3WHEELER
- SEAT BELT CLOSING PANEL COVER
- LH UNDER BODY FLOOR PANEL
- RH UNDER BODY FLOOR PANEL
- BATTERY STRAP SHORT
- MOUNTING PIN
- NUT SWING ARM THREADED PIN
- 3W BEVEL BOX FRONT CHASSIS MOUNT ISSUE C
- 3W BEVEL REAR MOUNT MODEL YEAR 2014 ISSUE B
- SHACKLE BUSH REAR
- M3W RECTIFIER CHASSIS MOUNT
- RECTIFIER SUPPORT PLATE

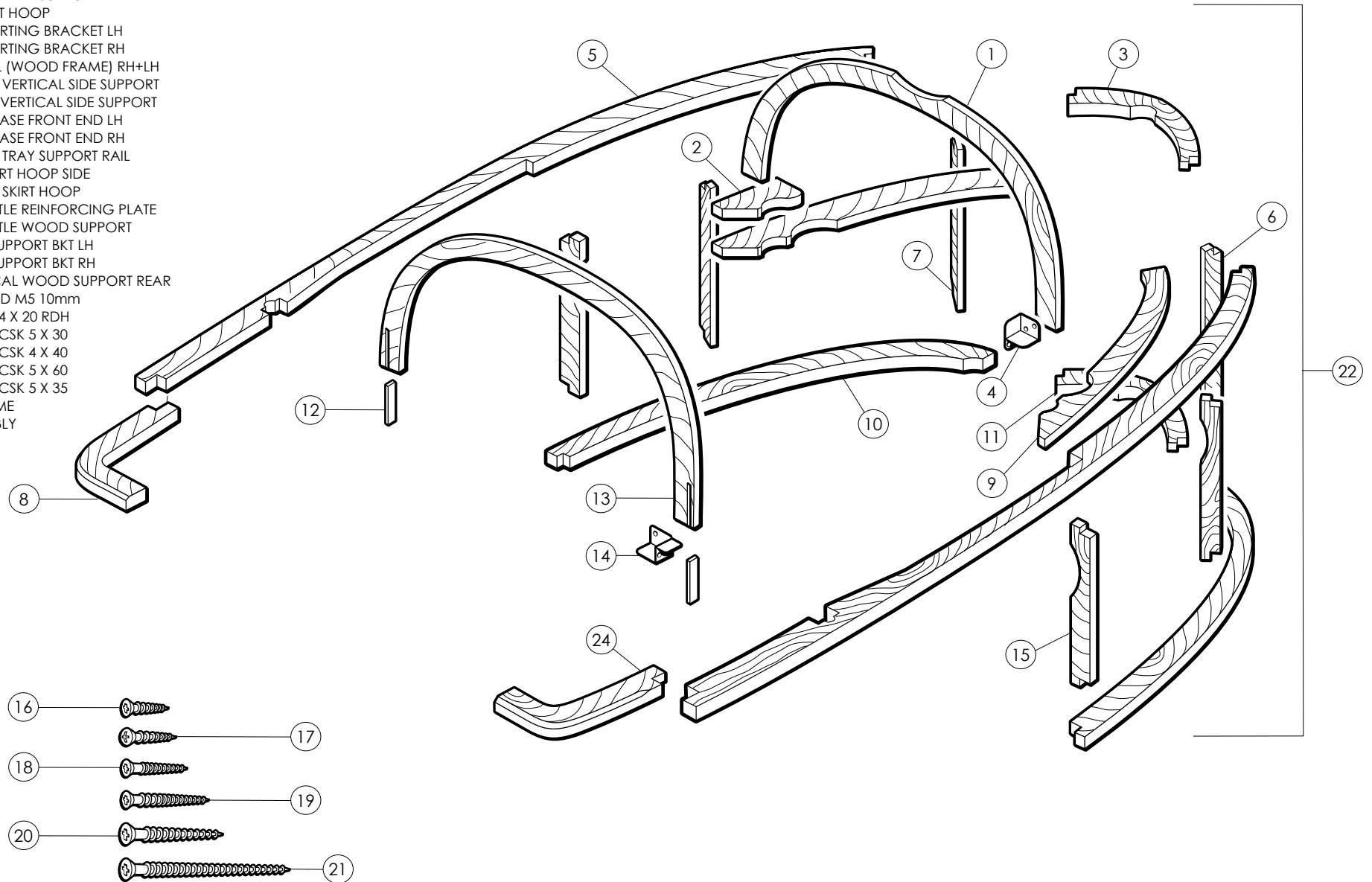
- SEAT BELT CLOSING PANEL COVER
- LH UNDER BODY FLOOR PANEL
- RH UNDER BODY FLOOR PANEL
- BATTERY STRAP SHORT
- MOUNTING PIN
- NUT SWING ARM THREADED PIN
- 3W BEVEL BOX FRONT CHASSIS MOUNT ISSUE C
- 3W BEVEL REAR MOUNT MODEL YEAR 2014 ISSUE B
- SHACKLE BUSH REAR
- M3W RECTIFIER CHASSIS MOUNT
- RECTIFIER SUPPORT PLATE



2014 (chassis No. SA9M3WV2EDP202114) -

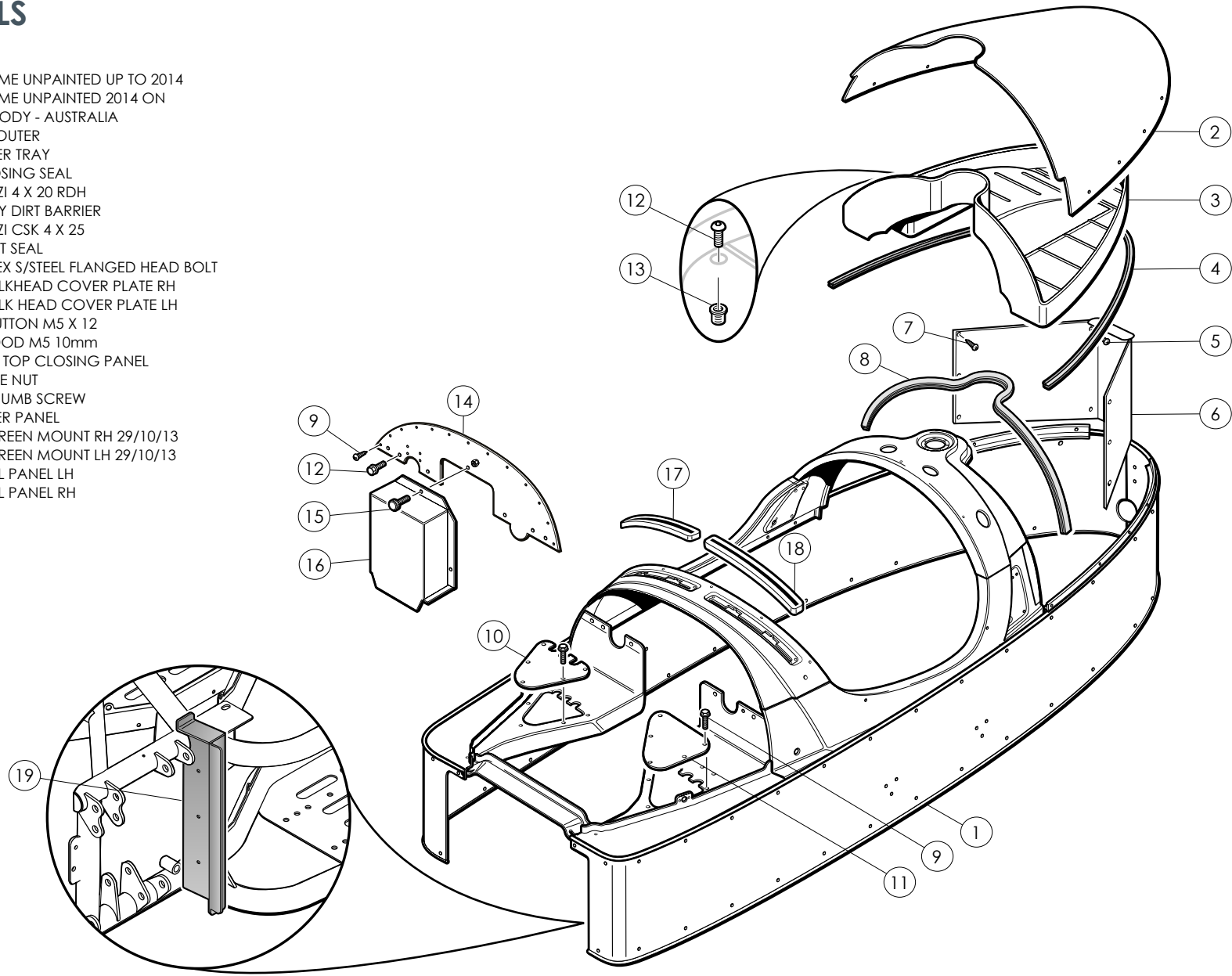
WOOD FRAME

- 1 T090009 REAR SCUTTLE WOOD SUPPORT
- 2 T090011 BOOT INNER TRAY SUPPORT END
- 3 T070028 3W TOP SKIRT HOOP
- 4 B070001 REAR SUPPORTING BRACKET LH
- B070002 REAR SUPPORTING BRACKET RH
- 5 T070023 3W SIDE RAIL (WOOD FRAME) RH+LH
- 6 T070025 RH 3W REAR VERTICAL SIDE SUPPORT
- 7 T070024 LH 3W REAR VERTICAL SIDE SUPPORT
- 8 T070030 3W FLOOR BASE FRONT END LH
- T070031 3W FLOOR BASE FRONT END RH
- 9 T090010 BOOT INNER TRAY SUPPORT RAIL
- 10 T070027 3W REAR SKIRT HOOP SIDE
- 11 T070029 3W BOTTOM SKIRT HOOP
- 12 D070002 FRONT SCUTTLE REINFORCING PLATE
- 13 T090008 FRONT SCUTTLE WOOD SUPPORT
- 14 B070003 3W FRONT SUPPORT BKT LH
- B070004 3W FRONT SUPPORT BKT RH
- 15 T090007 REAR VERTICAL WOOD SUPPORT REAR
- 16 MGN0018 INSERT WOOD M5 10mm
- 17 STYLUS POZI 4 X 20 RDH
- 18 STYLUS POZI CSK 5 X 30
- 19 STYLUS POZI CSK 4 X 40
- 20 STYLUS POZI CSK 5 X 60
- 21 STYLUS POZI CSK 5 X 35
- 22 A090002 WOOD FRAME FULL ASSEMBLY



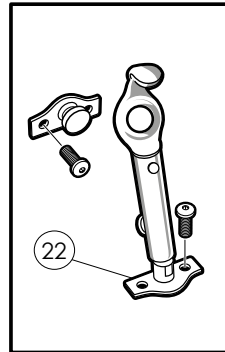
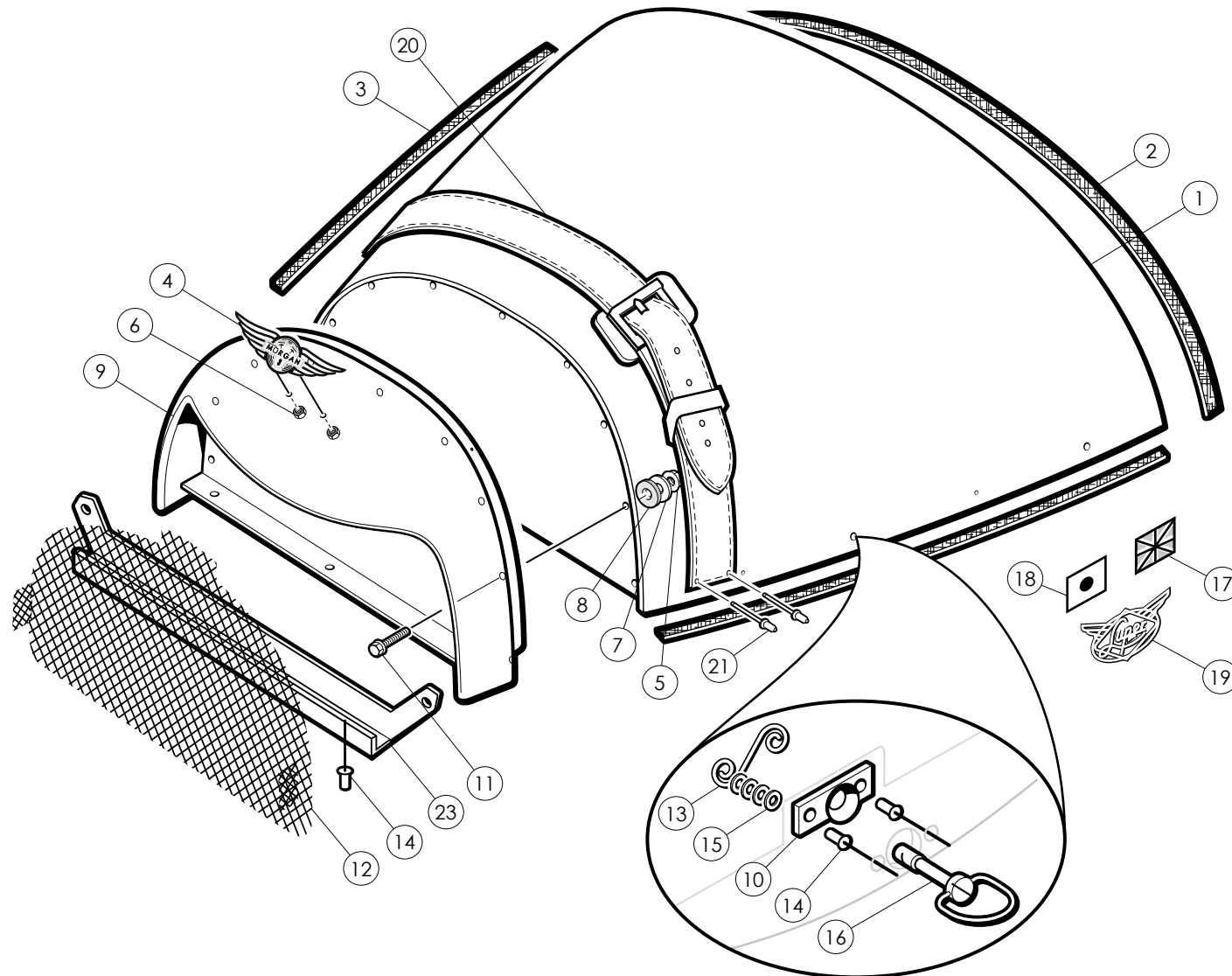
BODY PANELS

- 1 A090108 BODY FRAME UNPAINTED UP TO 2014
- A090146 BODY FRAME UNPAINTED 2014 ON
- A090129 FINISHED BODY - AUSTRALIA
- 2 P090002 BOOT LID OUTER
- 3 M430007 BOOT INNER TRAY
- 4 M370006 BOOT CLOSING SEAL
- 5 STYLUS POZI 4 X 20 RDH
- 6 A400051 REAR BODY DIRT BARRIER
- 7 STYLUS POZI CSK 4 X 25
- 8 M370003 REAR BOOT SEAL
- 9 M5 X 16 HEX S/STEEL FLANGED HEAD BOLT
- 10 P090036 LOWER BULKHEAD COVER PLATE RH
- 11 P090035 LOWER BULK HEAD COVER PLATE LH
- 12 SOCKET BUTTON M5 X 12
- 13 MGN0018 INSERT WOOD M5 10mm
- 14 P090021 BULKHEAD TOP CLOSING PANEL
- 15 M6 FLANGE NUT
- 16 M6 X 20 THUMB SCREW
- 17 P090037 ECU COVER PANEL
- 18 M400016 3W FLY SCREEN MOUNT RH 29/10/13
- 19 M400015 3W FLY SCREEN MOUNT LH 29/10/13
- B090022 REAR INFILL PANEL LH
- B090023 REAR INFILL PANEL RH



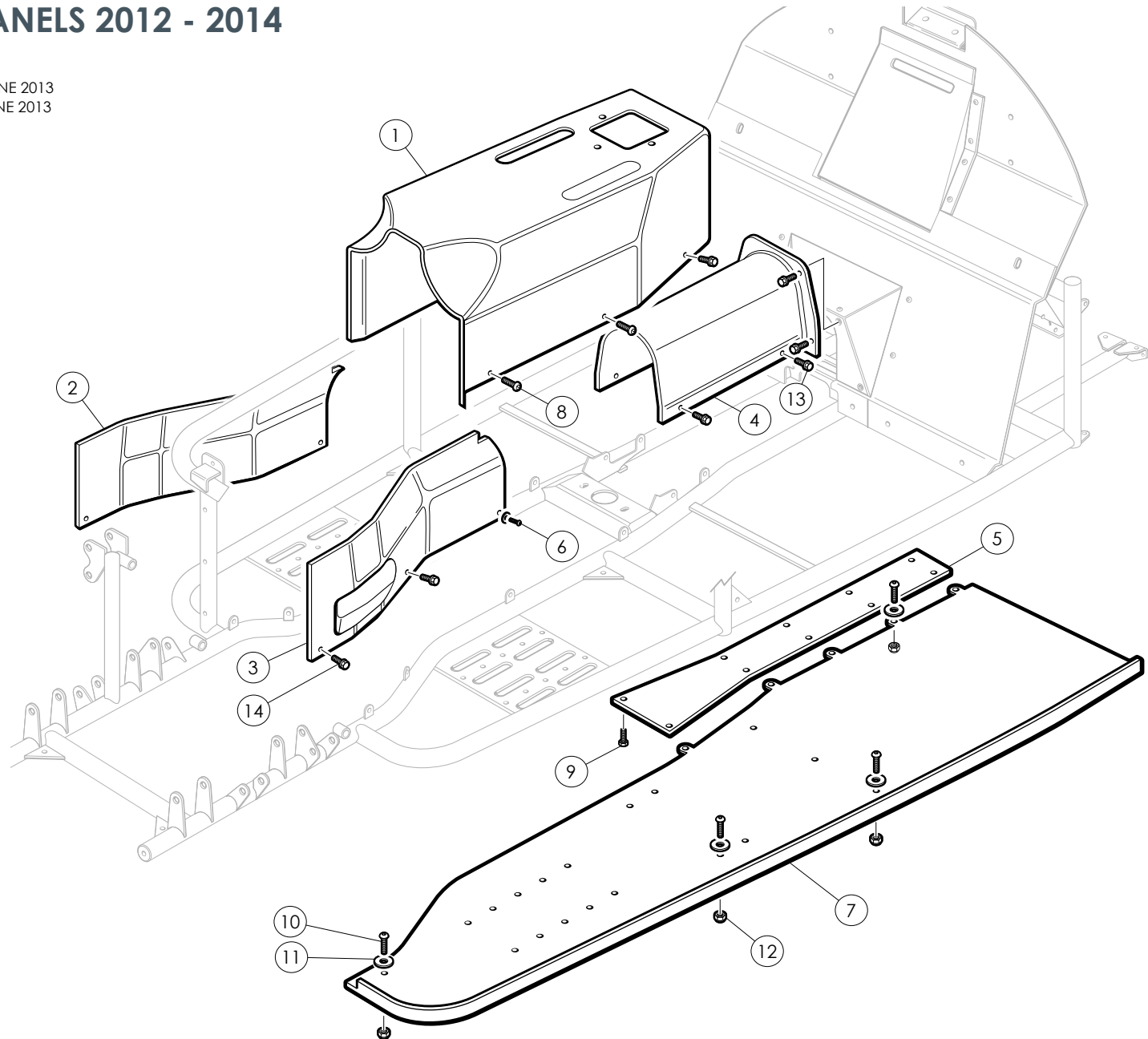
BONNET

- 1 P090001 BONNET
- 2 MSM31950 BONNET TAPE 29mm
- 3 MSM3247 BONNET TAPE
- 4 C400001 BADGE MORGAN 3 WHEELER
- 5 M6 FLANGE NUT
- 6 NUT M5 FLANGED
- 7 WASHER PENNY 1/4"
- 8 WASHER RUBBER 1"
- 9 P090003 COWL STD
- 10 P090132 COWL POLISHED
- 11 P090369 FRONT COWL PAINTED
- 12 M090001 DZUS GUIDE
- 13 P090023 FRONT GRILL
- 14 P090266 FRONT GRILL - AUSTRALIA & EU4
- 15 U090001 DZUS RECEPTACLE
- 16 U090002 RIVET POP 3.2 X 9.5mm
- 17 U400020 WASHER FLAT 1/8X035
- 18 U090002 DZUS STUD
- 19 U400020 SUPERDRY UNION JACK BADGE
- 20 U400021 SUPERDRY JAPANESE BADGE
- 21 U400016 SUPERDRY WINGS LOGO
- 22 U400015 BONNET STRAP - SUPER DRY
- 23 U400047 BONNET STRAP - TAN
- 24 P090023 POP RIVET 3.2 X 10
- 25 U700001 VINTAGE BONNET CATCH ASSY
- 26 B090108 M3W GRILL MESH BRACKET
- 27 AUS & EU4 ONLY



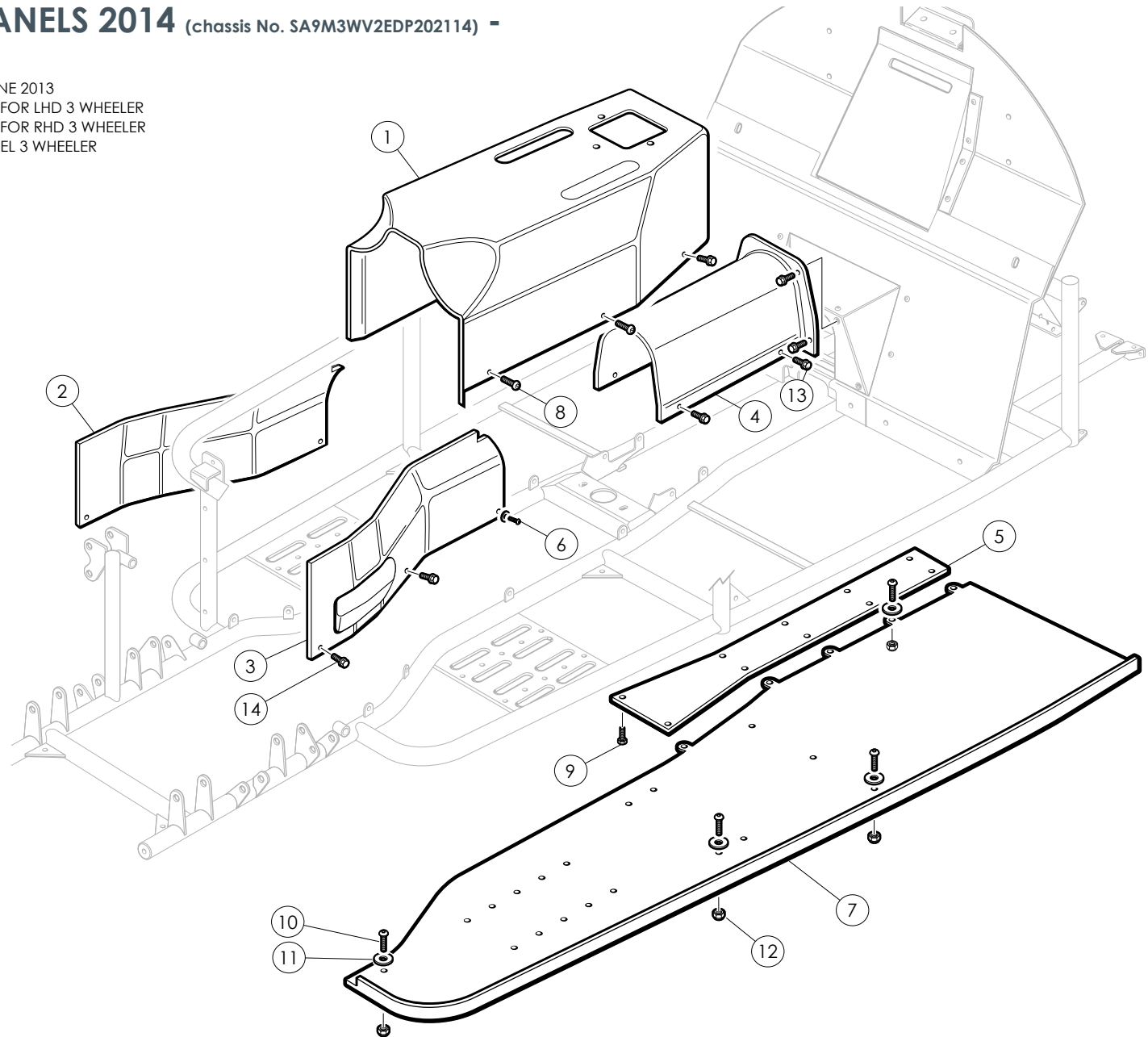
FLOOR AND INTERNAL PANELS 2012 - 2014

- 1 P060056 G/BOX TUNNEL CENTRE USED UNTILL JUNE 2013
- P060064 G/BOX TUNNEL CENTRE USED AFTER JUNE 2013
- 2 A430025 RH FRONT SIDE TRIM
- 3 A430024 LH FRONT SIDE TRIM
- 4 A430026 PROPSHAFT COVER UP TO 29.03.2013
- P060007 PROPSHAFT COVER 29.03.2013 -
- 5 P060014 FLOOR CENTRE CLOSING
- 6 SCREW WOOD CSK10 X 11/4
- WASHER FLAT M6
- 7 P400004 UNDER BODY FLOOR PANEL LEFT
- P400005 UNDER BODY FLOOR PANEL RIGHT
- 8 SOCKET BUTTON M6 X 25
- WASHER FLAT M6
- 9 BOLT SET M6 X 16
- 10 SCREW BUTTON SKT M6 X 15
- 11 WASHER PENNY 1/4"
- 12 NYLOC NUT M6
- 13 M5x16 FLANGE BUTTON M5 X 16
- 14 SCREW WOOD CSK 8 X 3/4

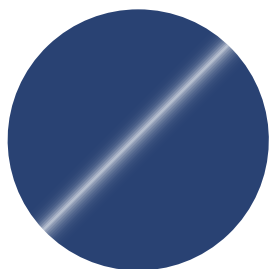


FLOOR AND INTERNAL PANELS 2014 (chassis No. SA9M3WV2EDP202114) -

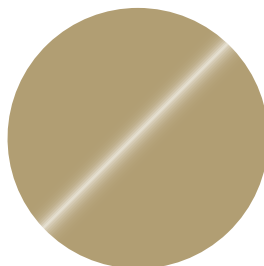
- 1 P060064 G/BOX TUNNEL CENTRE USED AFTER JUNE 2013
- 2 P060011 PANEL G/BOX TUNNEL FRONT R/H SIDE FOR LHD 3 WHEELER
- A430029 PANEL G/BOX TUNNEL FRONT R/H SIDE FOR RHD 3 WHEELER
- 3 P060002 GEARBOX TUNNEL FRONT L/H SIDE PANEL 3 WHEELER
- 4 P060007 PROPSHAFT COVER ASSY
- 5 P060014 FLOOR CENTRE CLOSING
- 6 SCREW WOOD CSK10 X 11/4
- M6 WASHER FLAT
- 7 P400022 UNDER BODY FLOOR PANEL LEFT
- P400023 UNDER BODY FLOOR PANEL RIGHT
- 8 SOCKET BUTTON M6 X 25
- M6 WASHER FLAT
- 9 SCREW WOOD CSK 8 X 3/4
- 10 BOLT SET M6 X 16
- 11 WASHER PENNY 1/4"
- 12 NYLOC NUT
- 13 SCREW FLANGE BUTTON
- 14 SCREW WOOD CSK 8 X 3/4



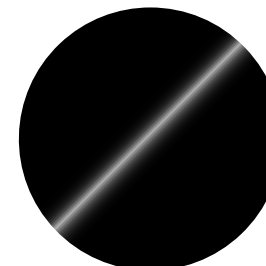
PAINT COLOURS



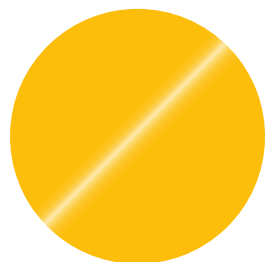
M004
Sports Blue



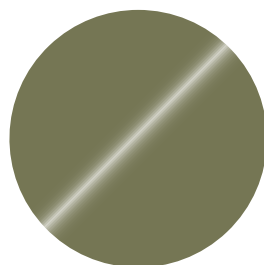
M002
Sports Sand



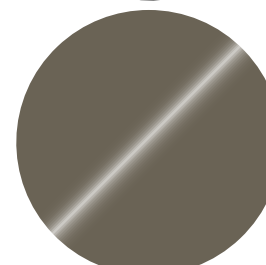
M001
Black



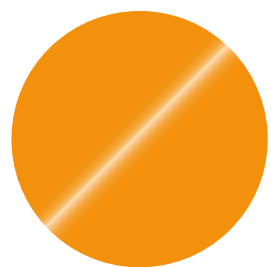
M0801
Sports Yellow



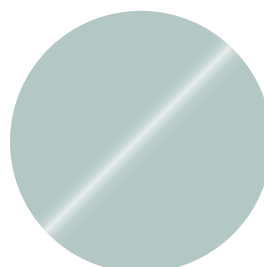
M051
Willow Green



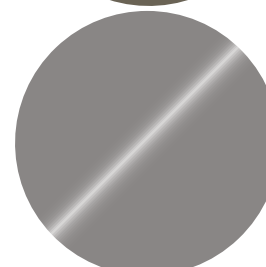
M008
Sports Grey



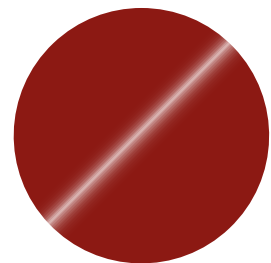
M0800
Sports Orange



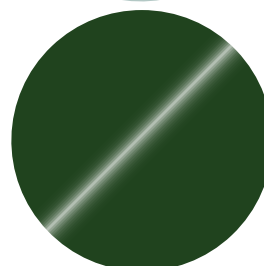
M006
Sports Teal



M012
Dove Grey



M007
Sports Red

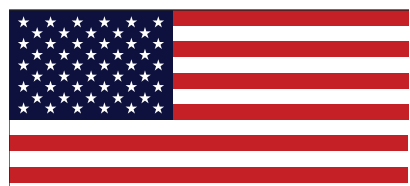


M005
Sports Green



M003
Sports White

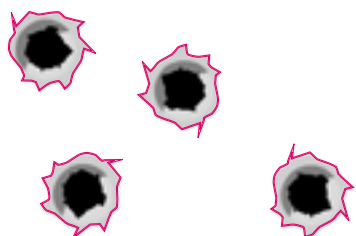
LIVERY - 2014



U400035



U400029



U400008



U400024



U400006



U400042



U400005



U400017



U400040

SUPERDRY
S-DRY-JPN



23 SUPERDRY-JPN

Super
DRY



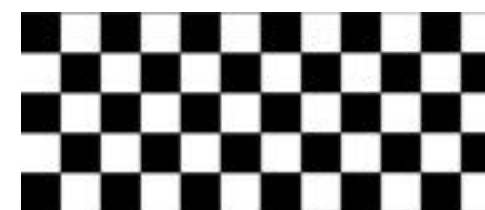
U400036 U400001 U400025 U400014 U400013



U400018

極度乾燥(しなさい)

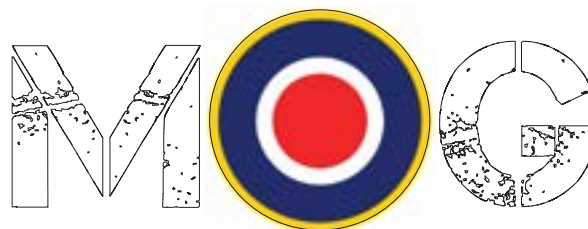
U400019



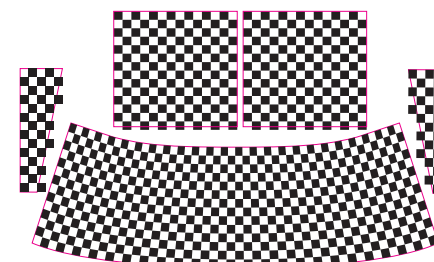
U400026



U400002



U400004



U400009

U400003

LIVERY 2014 (chassis No. SA9M3WV2EDP2021)



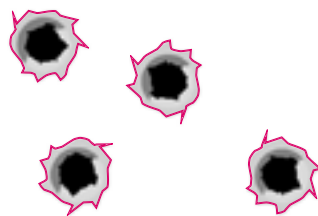
GP400020



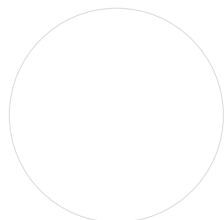
GP400019



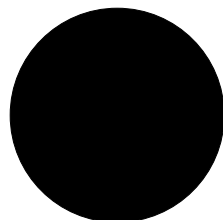
GP400021



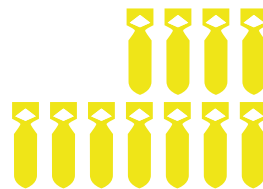
U400008



GP00013



GP00012



GP400007



GP400024



U400018



極度乾燥(しなさい)

U400019



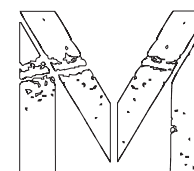
U400040



U400042



U400002



U400004



GP400009



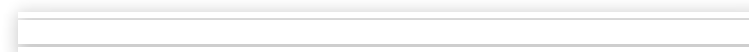
GP400015



GP400008



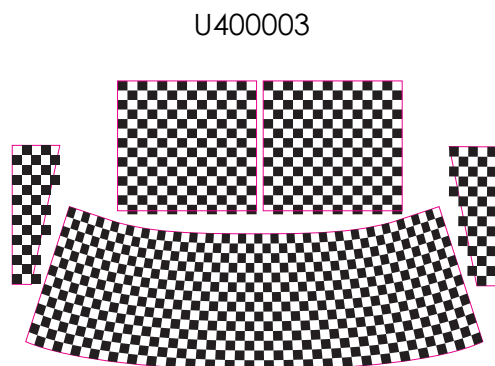
GP400014



GP400016

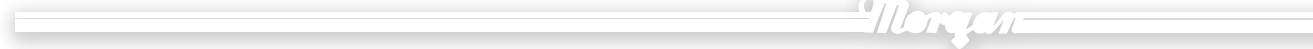


GP400018



U400003

U40009



GP400011



GP400010

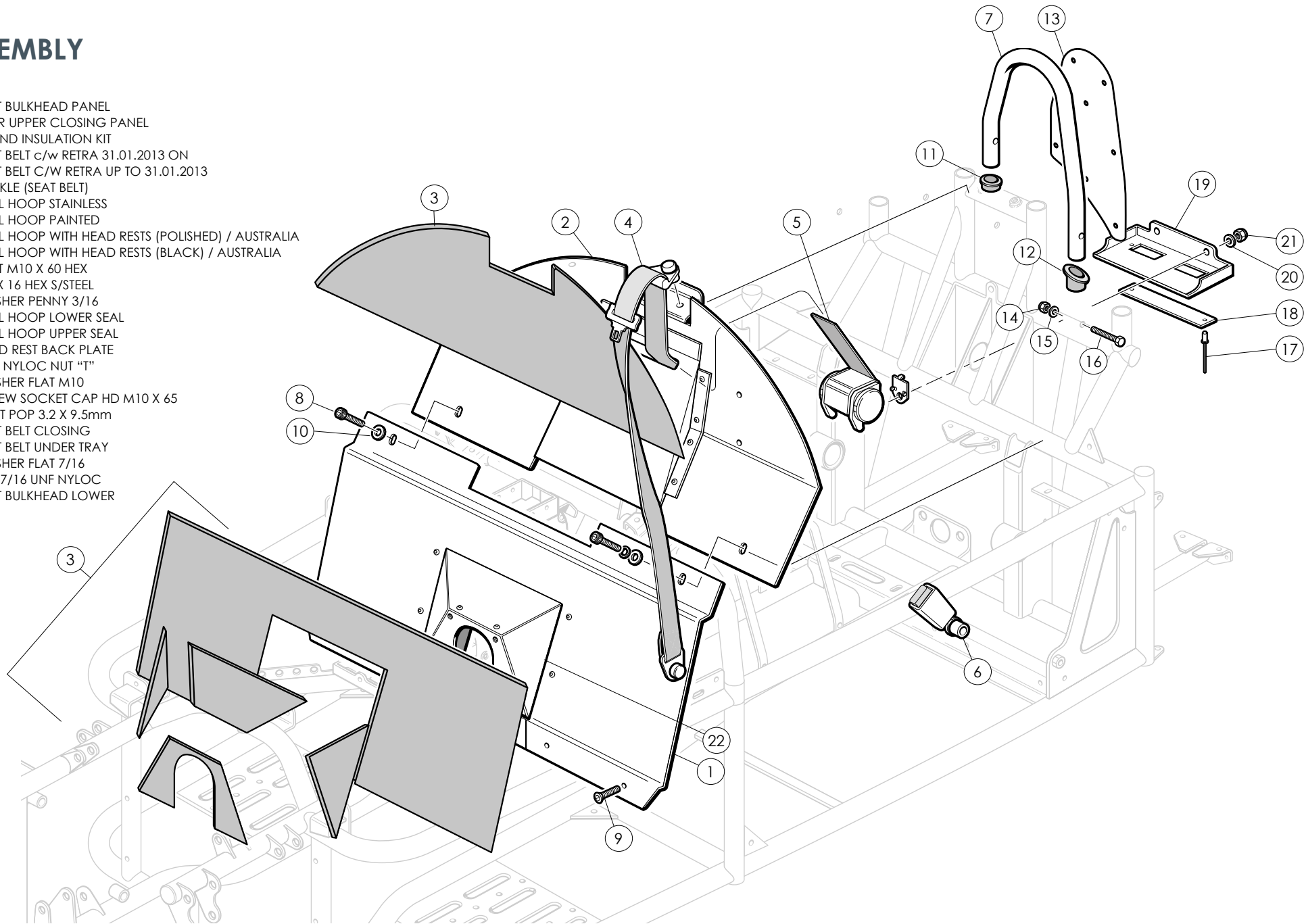


INTERIOR

THREE WHEELER PARTS BOOK Version 6.5

SEAT ASSEMBLY

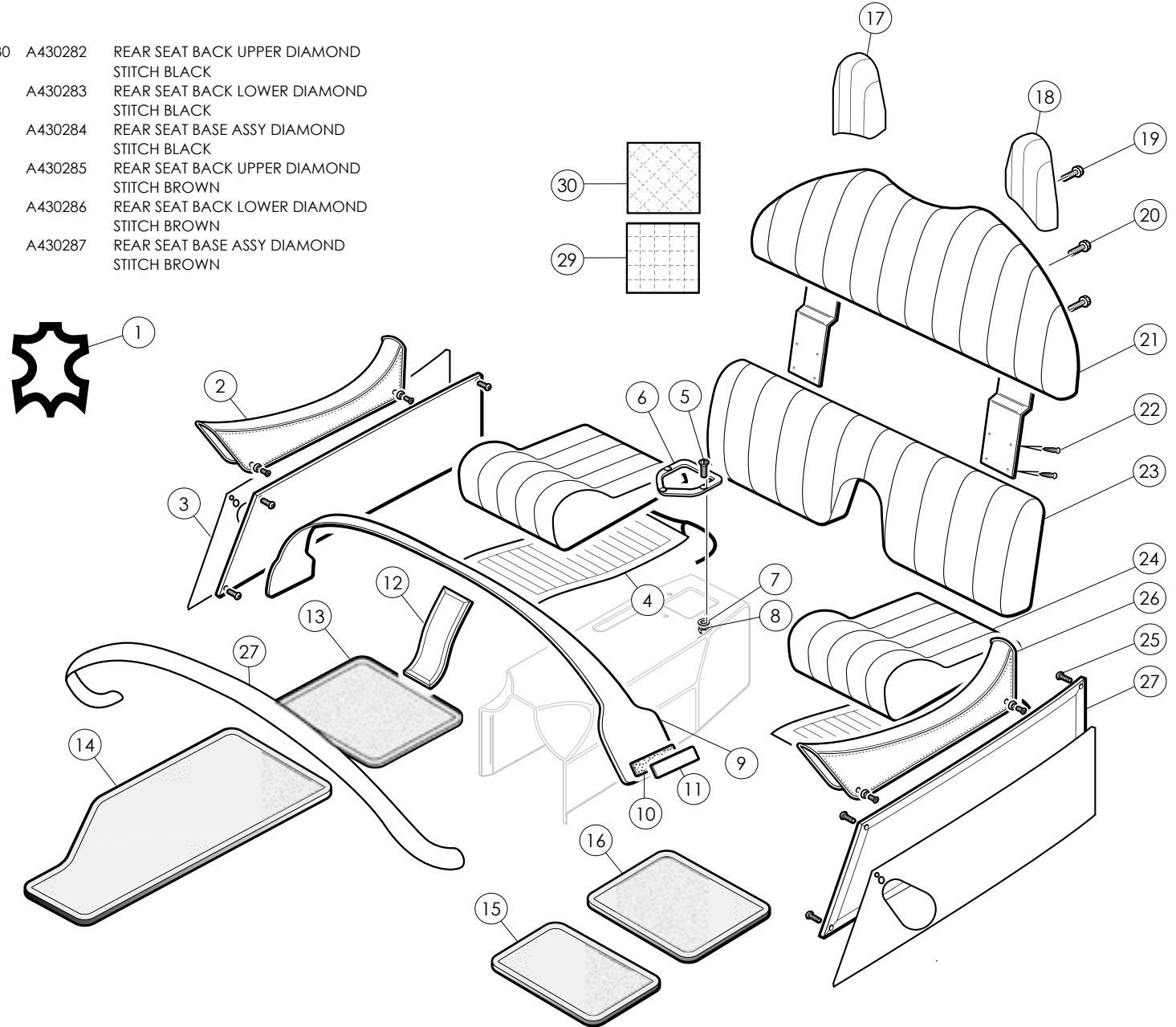
- 1 P411002 SEAT BULKHEAD PANEL
- 2 P430001 REAR UPPER CLOSING PANEL
- 3 J400003 SOUND INSULATION KIT
- 4 U430016 SEAT BELT c/w RETRA 31.01.2013 ON
- 5 U430001 SEAT BELT C/W RETRA UP TO 31.01.2013
- 6 U430002 BUCKLE (SEAT BELT)
- 7 T400020 ROLL HOOP STAINLESS
- T400019 ROLL HOOP PAINTED
- A060055 ROLL HOOP WITH HEAD RESTS (POLISHED) / AUSTRALIA
- A060076 ROLL HOOP WITH HEAD RESTS (BLACK) / AUSTRALIA
- 8 MGB0100 BOLT M10 X 60 HEX
- 9 M5 X 16 HEX S/STEEL
- 10 WASHER PENNY 3/16
- 11 M370010 ROLL HOOP LOWER SEAL
- 12 M370009 ROLL HOOP UPPER SEAL
- 13 D430021 HEAD REST BACK PLATE
- 14 M10 NYLOC NUT "T"
- 15 WASHER FLAT M10
- 16 SCREW SOCKET CAP HD M10 X 65
- 17 RIVET POP 3.2 X 9.5mm
- 18 P400017 SEAT BELT CLOSING
- 19 P400015 SEAT BELT UNDER TRAY
- 20 WASHER FLAT 7/16
- 21 NUT 7/16 UNF NYLOC
- 22 P060006 SEAT BULKHEAD LOWER



FINISHINGS

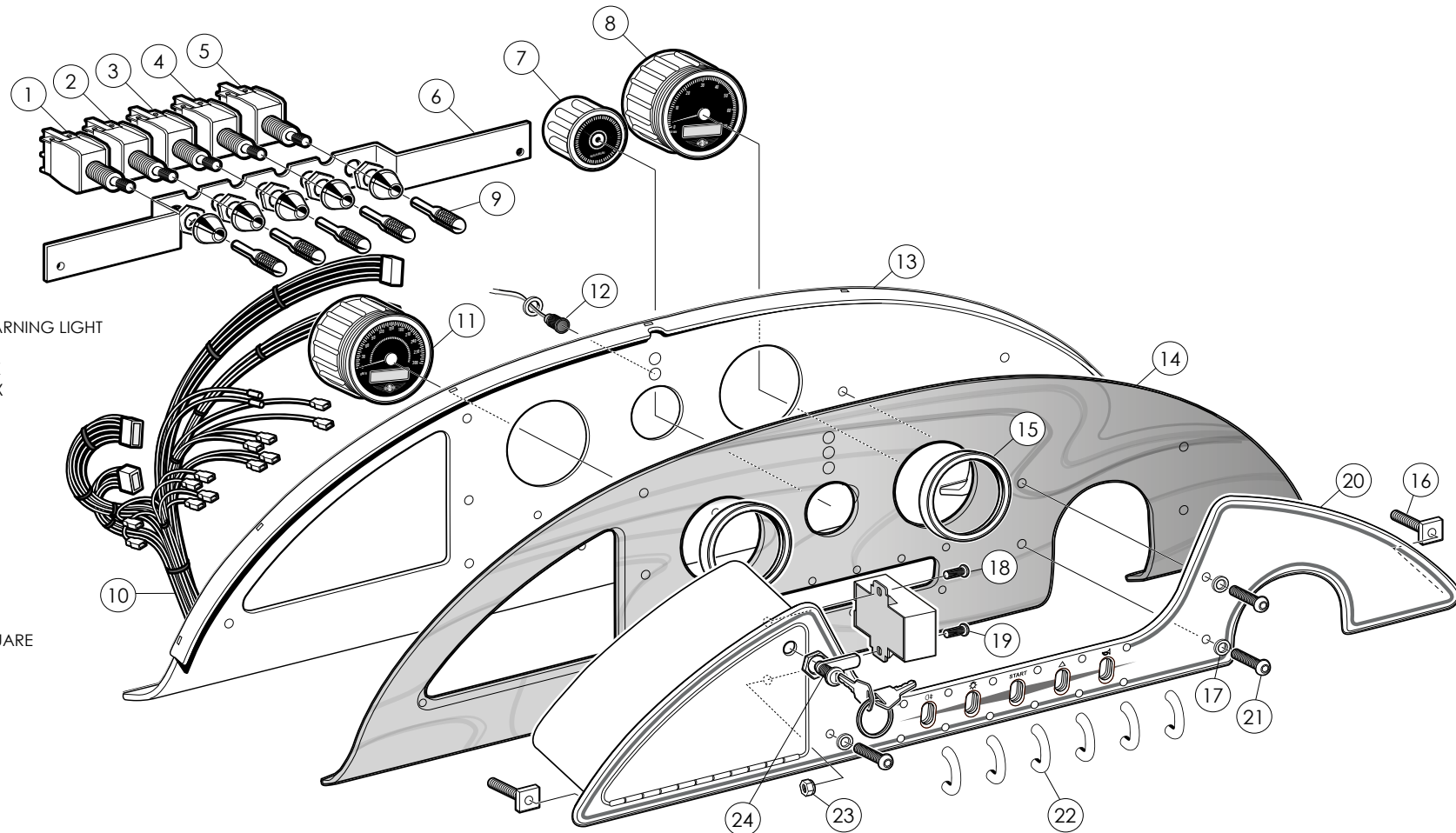
- 1 J430001 BLACK INTERIOR TRIM
- J430002 BROWN INTERIOR TRIM
- J430010 GENERIC TRIM KIT
- J430013 QUILTED TRIM KIT
- J430016 BLACK INTERIOR TRIM (NO G/BOX REMOTE)
- 2 A430021 RH ARM REST PAD
- MGS05315 SCREW M5 X 25
- 3 A430025 RH FRONT SIDE TRIM
- A400058 RH LOWER SIDE PANEL WITH POCKET
- 4 E430010 HEATED SEAT MAT
- 5 MGS05309 SOCKET CSK S/S M5 X 18 mm POLISHED
- 6 T430006 GEARSTICK EMBELISHER
- 7 WASHER FIBRE M5x10x0.8
- 8 NUT M5 NYLOC
- 9 R430011 LH FRONT SIDE TRIM
- 10 R430019 PLY ELBOW PAD INSERT
- 11 RUS5580 VELCROTEX BLACK
- 12 P060020 GEARBOX TUNNEL TOP FRONT FLAP
- 13 J430005 REAR MAT
- 14 J430006 LHD PASSENGER FLOOR MAT
- J430007 RHD PASSENGER FLOOR MAT
- 15 J430003 LHD DRIVERS MAT
- J430004 RHD DRIVERS MAT
- 16 J430005 REAR MAT
- 17 A430079 LH 3W ROLL HOOP HEAD REST
- 18 A430080 RH 3W ROLL HOOP HEAD REST
- 19 SCREW BUTTON M5 X 16
- 20 BOLT SET M6 X 16 TENSILOCK FLANGED
- 21 A430015 SEAT BACK UPPER ASSY
- 22 MGS063002 SOCKET BUTTON M5 X 12
- 23 A430016 REAR LOWER SEAT BACK
- 24 A430017 SEAT BASE
- 25 M5 X 16 FLANGE BUTTON
- 26 A430020 LH ARM REST PAD
- 27 A430022 LH LOWER SIDE PANEL
- A400057 LH LOWER SIDE PANEL WITH POCKET
- 28 M430045 COCKPIT FRONT CRASH PADDING
- A430191 CRASH PADDING - YARWOOD TRIM
- A430192 CRASH PADDING - MUIRHEAD TRIM
- 29 A430242 REAR SEAT BACK UPPER BLACK SQUARE STITCH
- A430243 REAR SEAT BACK LOWER BLACK SQUARE STITCH
- A430244 SEAT BASE ASSY BLACK SQUARE STITCH
- A430247 REAR SEAT BACK UPPER BROWN SQUARE STITCH
- A430248 REAR SEAT BACK LOWER BROWN SQUARE STITCH
- A430249 REAR SEAT BASE ASSY BROWN SQUARE STITCH

- 30 A430282 REAR SEAT BACK UPPER DIAMOND STITCH BLACK
- A430283 REAR SEAT BACK LOWER DIAMOND STITCH BLACK
- A430284 REAR SEAT BASE ASSY DIAMOND STITCH BLACK
- A430285 REAR SEAT BACK UPPER DIAMOND STITCH BROWN
- A430286 REAR SEAT BACK LOWER DIAMOND STITCH BROWN
- A430287 REAR SEAT BASE ASSY DIAMOND STITCH BROWN



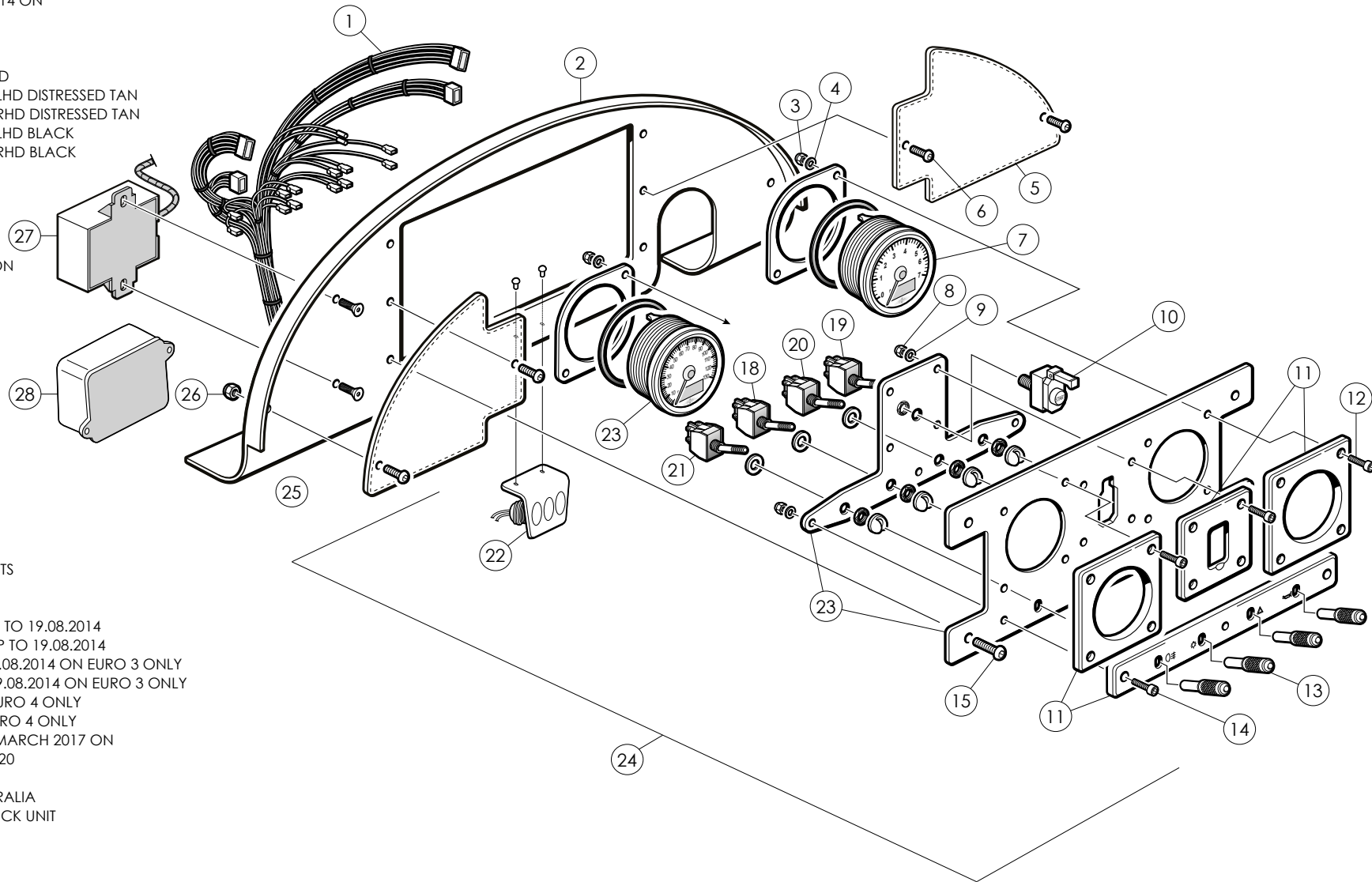
DASHBOARD - HERITAGE

- 1 E430020 TOGGLE SWITCH FOG
- 2 E430017 LIGHT SWITCH 3W
- 3 E430032 TOGGLE SWITCH START
- 4 E430020 TOGGLE SWITCH HAZARD LIGHTS
- 5 E430032 TOGGLE SWITCH HORN
- 6 P430158 TOGGLE SWITCH MOUNT
- 7 E430015 TIME CLOCK
- 8 E430004 SPEEDO
- 9 T430001 TOGGLE SWITCH KNOB
- 10 E340243 DASH WIRING KIT
- E340291 HERITAGE DASH HARNESS EU4
- 11 E430005 REV COUNTER
- 12 E340198 SEATBELT WARNING LIGHT
- E340182 3W AUSTRALIA BRAKE FAILURE WARNING LIGHT
- 13 P430222 LH DASH PANEL WITH GLOVE BOX
- P430214 RH DASH PANEL WITH GLOVE BOX
- 14 P430160 ASH NATURAL FASCIA LH
- P430155 ASH NATURAL FASCIA RH
- P430201 ASH RAVEN FASCIA LH
- P430200 ASH RAVEN FASCIA RH
- P430203 ASH TAWNY FASCIA LH
- P430202 ASH TAWNY FASCIA RH
- P430205 BURBINGA FASCIA LH
- P430204 BURBINGA FASCIA RH
- P430207 ZEBRANO FASCIA LH
- P430206 ZEBRANO FASCIA RH
- 15 P430210 RIM INSTRUMENT GAUGE
- 16 M6 X 20 BZP BIG HEAD 15mm SQUARE
- 17 M6 ALUMINIUM WASHER
- 18 M5 X 16 FLANGE BUTTON
- 19 E340017 IMMOBILISER (TOAD)
- 20 SA430018 FACIA PANEL LH ASSY
- SA430015 FACIA PANEL RH ASSY
- SA430020 HERITAGE DASH WITH GLOVEBOX
- FASCIA PANEL EU4 LHD
- SA430021 HERITAGE DASH WITH GLOVEBOX
- FASCIA PANEL EU4 RHD
- 21 M6 X 35mm LONG S/S POLISHED BUTTON
- 22 T430072 SWITCH GUARD HOOP
- 23 NUT M6 NYLOC
- 24 U430037 GLOVE BOX CAM LOCK 16mm 4 DISC (WITH CAM)



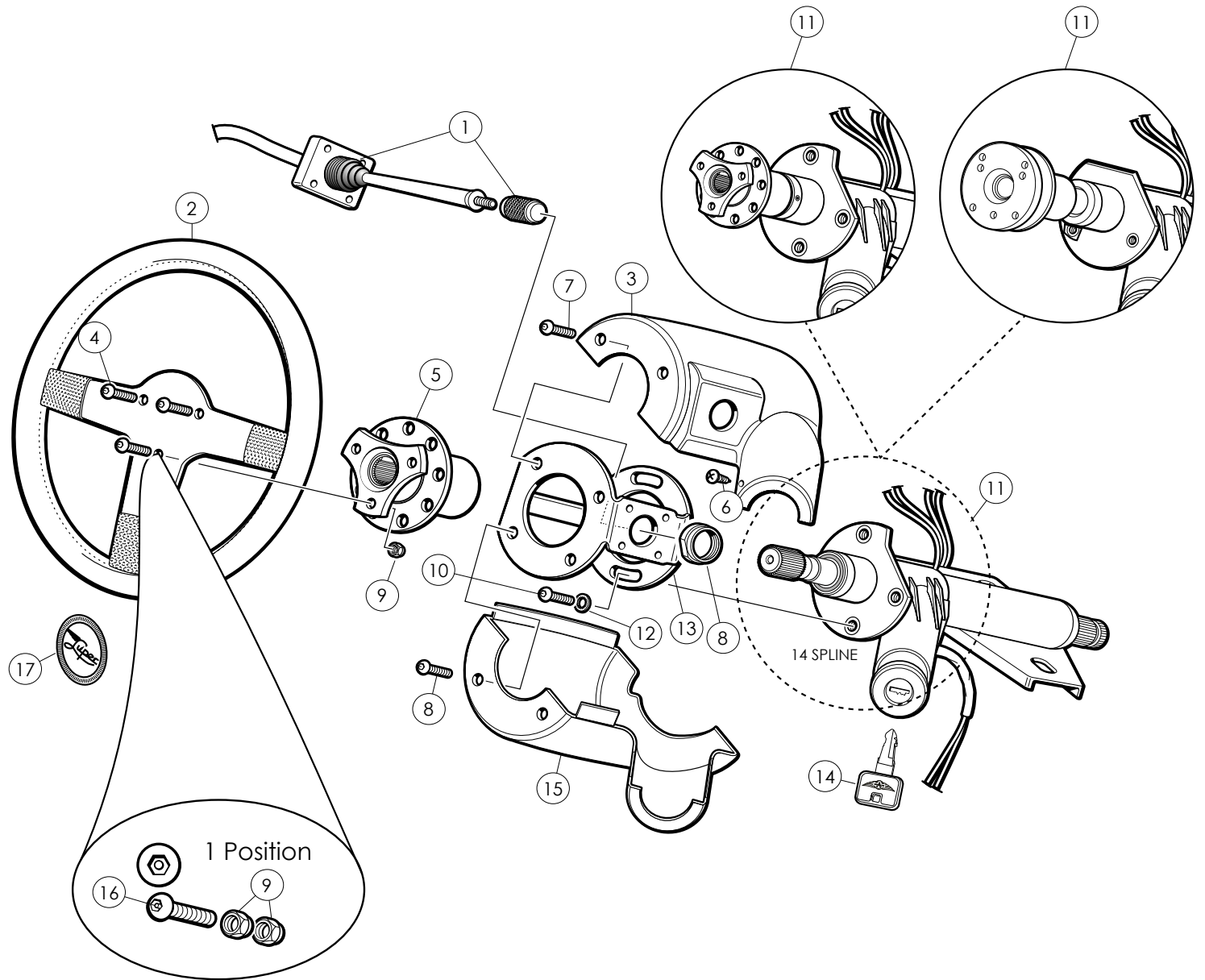
DASHBOARD

- 1 E340012 CHASSIS HARNESS UP TO 19.08.2014
- E340096 CHASSIS HARNESS 19.08.2014 ON
- 2 P430003 DASH SUPPORTPANEL RH
- P430011 DASH SUPPORTPANEL LH
- 3 NUT M5 NYLOC
- 4 NUT M5 FLANGED SERRATED
- 5 A400013 SADDLE LEATHER TRIM SET LHD DISTRESSED TAN
- A400014 SADDLE LEATHER TRIM SET RHD DISTRESSED TAN
- A400015 SADDLE LEATHER TRIM SET LHD BLACK
- A400016 SADDLE LEATHER TRIM SET RHD BLACK
- 6 SCREW M6 X 20
- 7 E430005 REV COUNTER
- 8 NUT NYLOC M5
- 9 WASHER M5
- 10 E430002 START BUTTON
- E430001 SECURITY CAP START BUTTON
- 11 T430002 INSTRUMENT AND SWITCH
- 12 SCREW M5 X 20
- 13 T430001 TOGGLE SWITCH KNOB
- 14 M5 X 25 SKT CAP HEAD
- 15 SCREW M6 X 20
- 16 T520001 SPACER
- 17 T430005 INSTRUMENT PANEL
- 18 E430017 LIGHT SWITCH
- 19 E430019 HORN SWITCH
- 20 E430018 HAZARD SWITCH
- 21 E430003 FOG SWITCH REAR
- 22 P090281 WARNING LIGHT BRACKET
- E340198 SEAT WARNING LIGHT
- MEE3272 SEAT BELT BUZZER
- E340182 BRAKE FAILURE LIGHT
- E340199 SUB LOOM WARNING LIGHTS
- 23 E430008 MPH SPEEDO
- E430004 KPH SPEEDO
- 24 A340002 INSTRUMENT PANEL KPH UP TO 19.08.2014
- A340005 INSTRUMENT PANEL MPH UP TO 19.08.2014
- A340024 INSTRUMENT PANEL KPH 19.08.2014 ON EURO 3 ONLY
- A340023 INSTRUMENT PANEL MPH 19.08.2014 ON EURO 3 ONLY
- A340056 INSTRUMENT PANEL MPH EURO 4 ONLY
- A340057 INSTRUMENT PANEL KPH EURO 4 ONLY
- A340053 INSTRUMENT PANEL USA – MARCH 2017 ON
- 25 BOLT COUNTERSUNK M6 X 20
- 26 M6 NYLOC NUT
- 27 E340017 TOAD IMMOBILISER / AUSTRALIA
- 28 E120005 STARTER INHIBITOR INTERLOCK UNIT



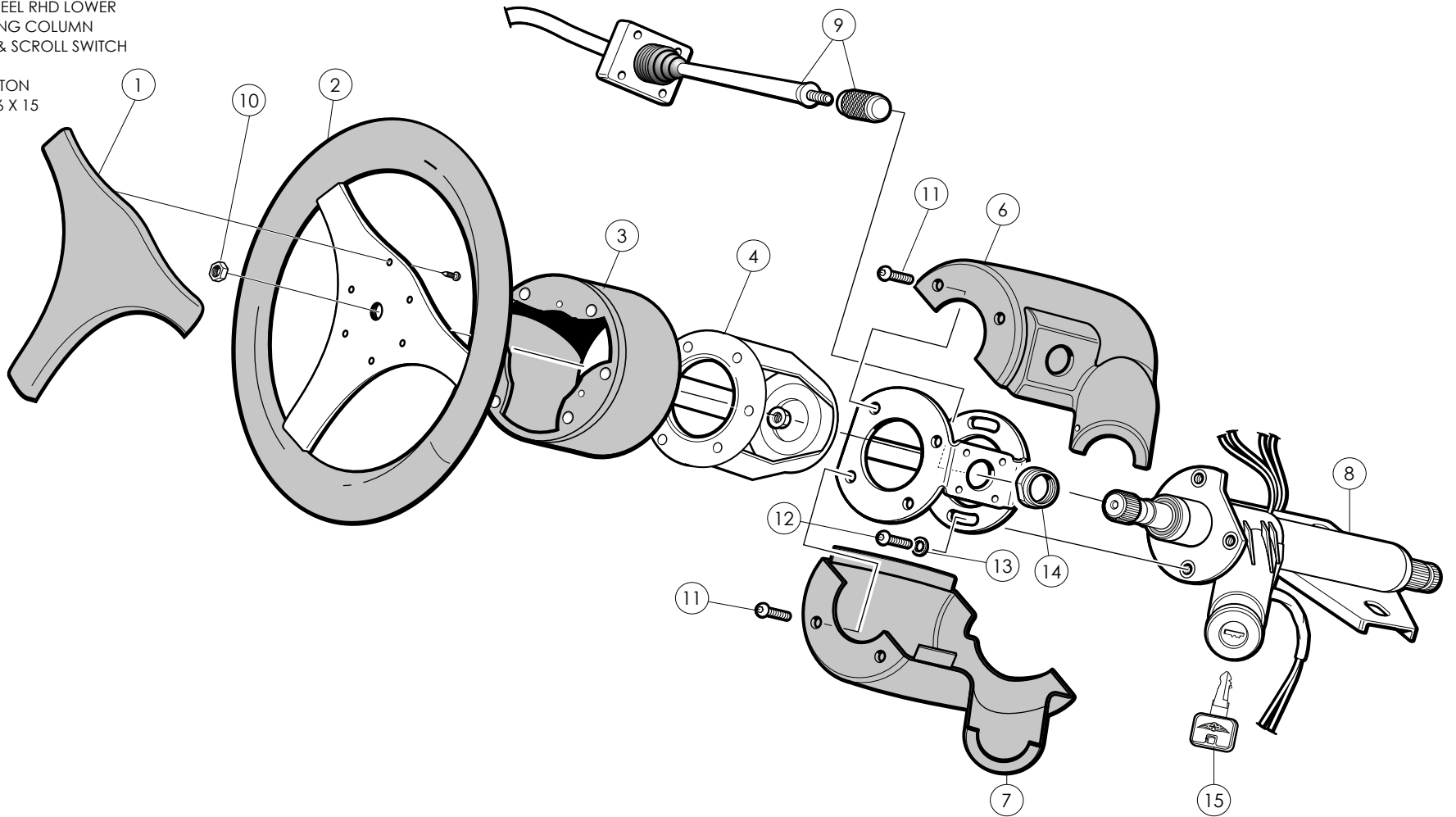
STEERING WHEEL

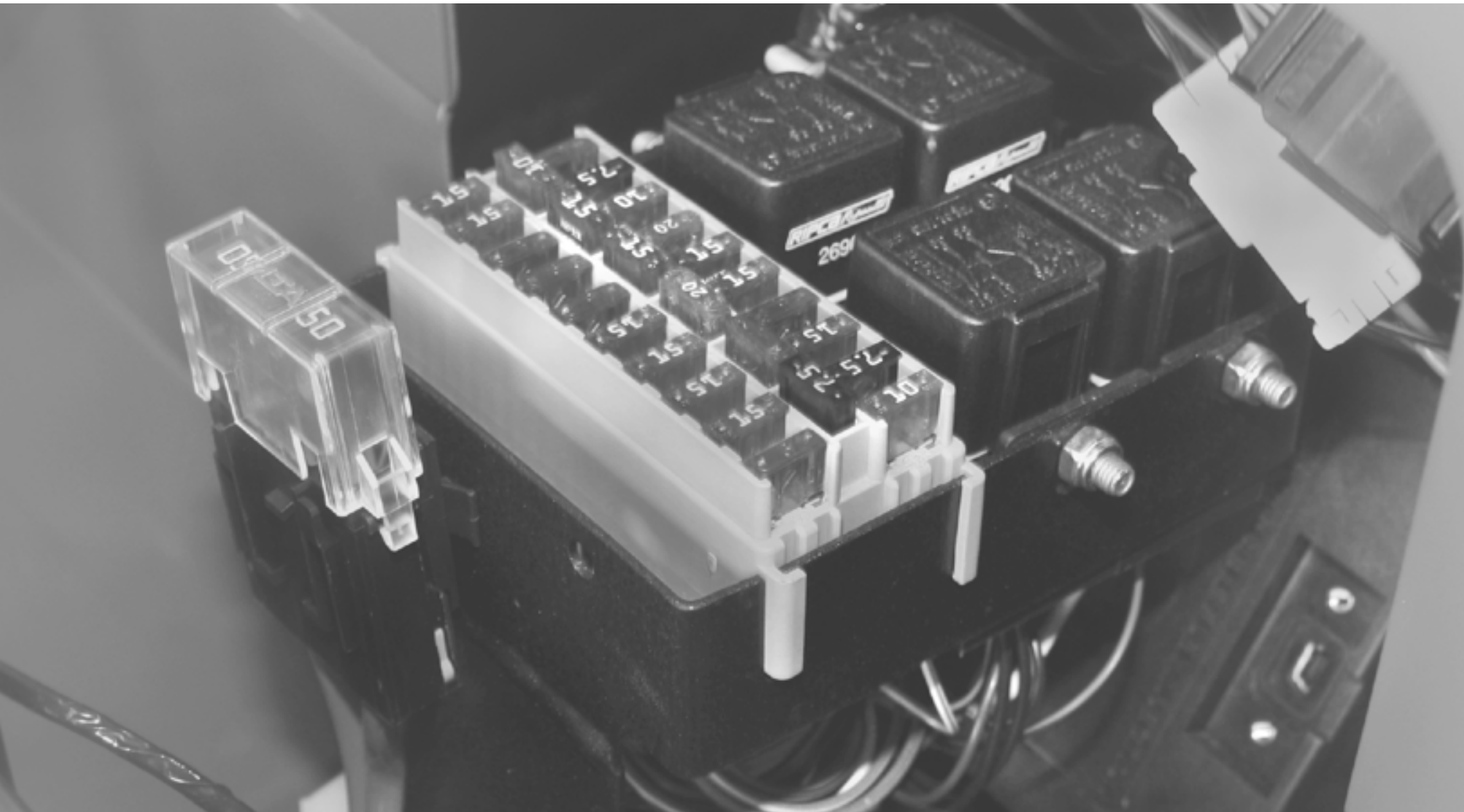
- 1 E340006 INDICATOR LIGHTS AND SCROLL SWITCH
- 2 U190004 SUPERDRY STEERING WHEEL (ORANGE STITCH)
- A190007 STEERING WHEEL BLACK STANDARD
- M3W15000 BROOKLANDS STEERING WHEEL BLACK 2011-2017
- A190036 BROOKLANDS STEERING WHEEL 14" CREAM
- A190047 BROOKLANDS STEERING WHEEL MAY 2018 ON
- 3 M430020 STEERING COLUMN SHROUD COVER RHD UPPER
- M430021 STEERING COLUMN SHROUD COVER LHD UPPER
- 4 SOCKET BUTTON M6x20
- 5 A190003 STEERING WHEEL QUICK RELEASE BOSS- LIFELINE 2011-2017 (14 SPLINES)
- SP190001 STEERING WHEEL QUICK RELEASE 2011-2017
- U190052 STEERING WHEEL QUICK RELEASE 2017-2018
- A190030 QUICK RELEASE BROOKLANDS STEERING WHEEL UP TO 3/4/2017
- U190055 QUICK RELEASE STEERING BOSS - ALL STEERING WHEELS - 3/4/2017 ON
- 6 No.4 X 3/8 SELF TAPPER SCREW M5 X 16
- 7 E340086 NUT INDICATOR SWITCH
- 8 NUT M6 NYLOC
- 9 M6 X 15 SKT BUTTON
- 10 A190003 STEERING COLUMN 14 SPLINE 2011-2017
- U190051 STEERING COLUMN 20 SPLINE 2017-2018
- A191008 STEERING COLUMN DUEL BOSS 20 SPLINE MAY 2018 - ON
- 12 WASHER FLAT 6mm DACROMET
- 13 B190001 INDICATOR STALK MOUNTING BRACKET RHD
- B190002 INDICATOR STALK MOUNTING BRACKET LHD
- 14 E340111 IGNITION KEY
- 15 M430018 STEERING COLUMN SHROUD CVR LHD LOWER
- M430019 STEERING COLUMN SHROUD CVR RHD LOWER
- 16 SOCKET CAP HD M8 X16
- 17 U430004 SUPERDRY STEERING WHEEL BADGE



STEERING WHEEL - AUSTRALIA

- 1 MSB0184 STEERING WHEEL PAD
- 2 MSB0240 STEERING WHEEL 14"
- 3 MIG0007 BOSS COVER
- 4 MSR3906 BOSS KIT
- 5 MSR3906 BOSS KIT STEERING-WHEEL
- 6 M430039 FIXED STEERING WHEEL RHD UPPER
- 7 M430040 FIXED STEERING WHEEL RHD LOWER
- 8 A190013 AUSTRALIAN STEERING COLUMN
- 9 E340006 INDICATOR, LIGHT & SCROLL SWITCH
- 10 MGN0161 STEERING NUT
- 11 M5x16 FLANGE BUTTON
- 12 SOCKET BUTTON M6 X 15
- 13 WASHER FLAT 6mm
- 14 E340086 INDICATOR LOCKING RING
- 15 E340111 KEY



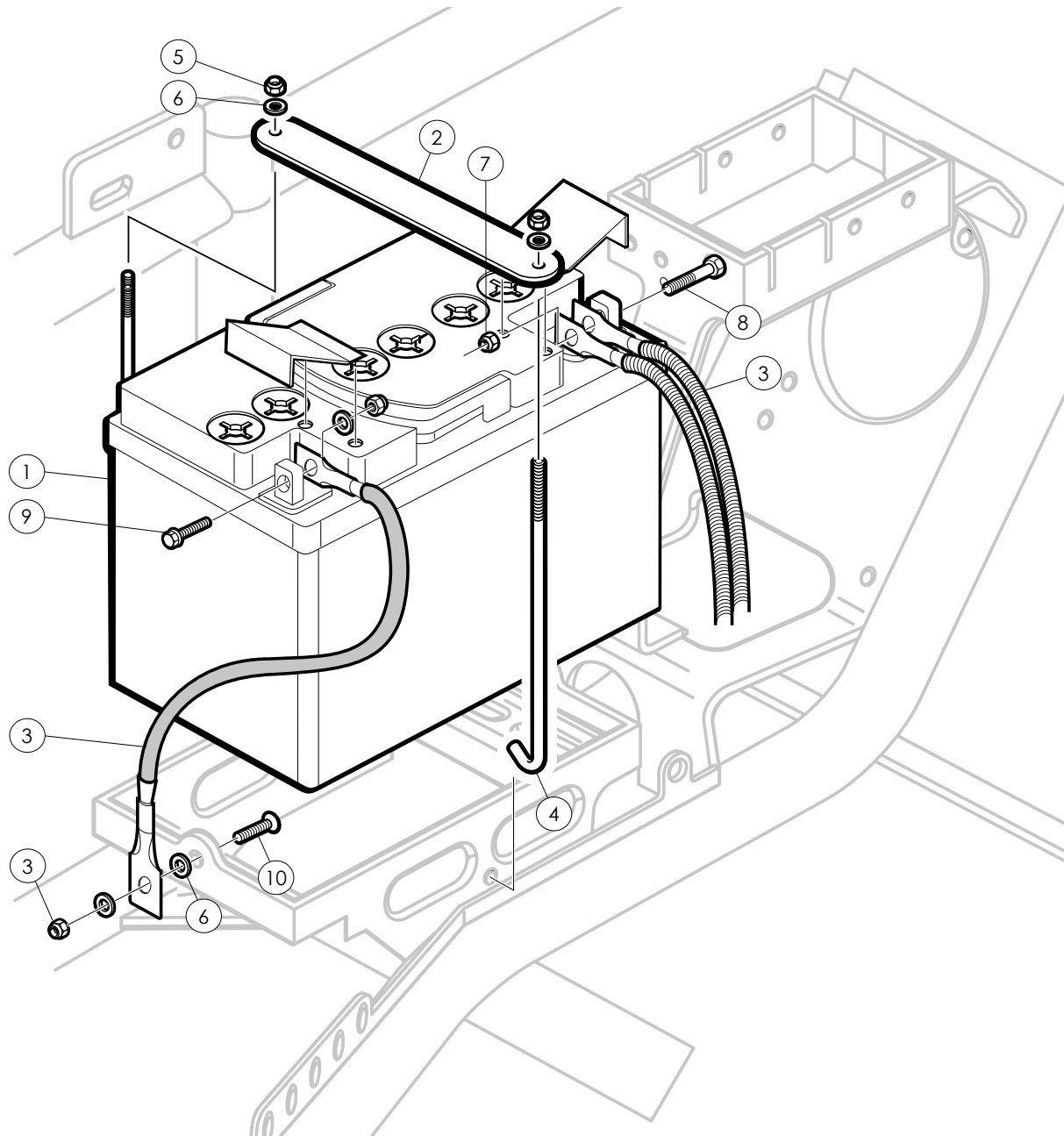


ELECTRICS

THREE WHEELER PARTS BOOK Version 6.5

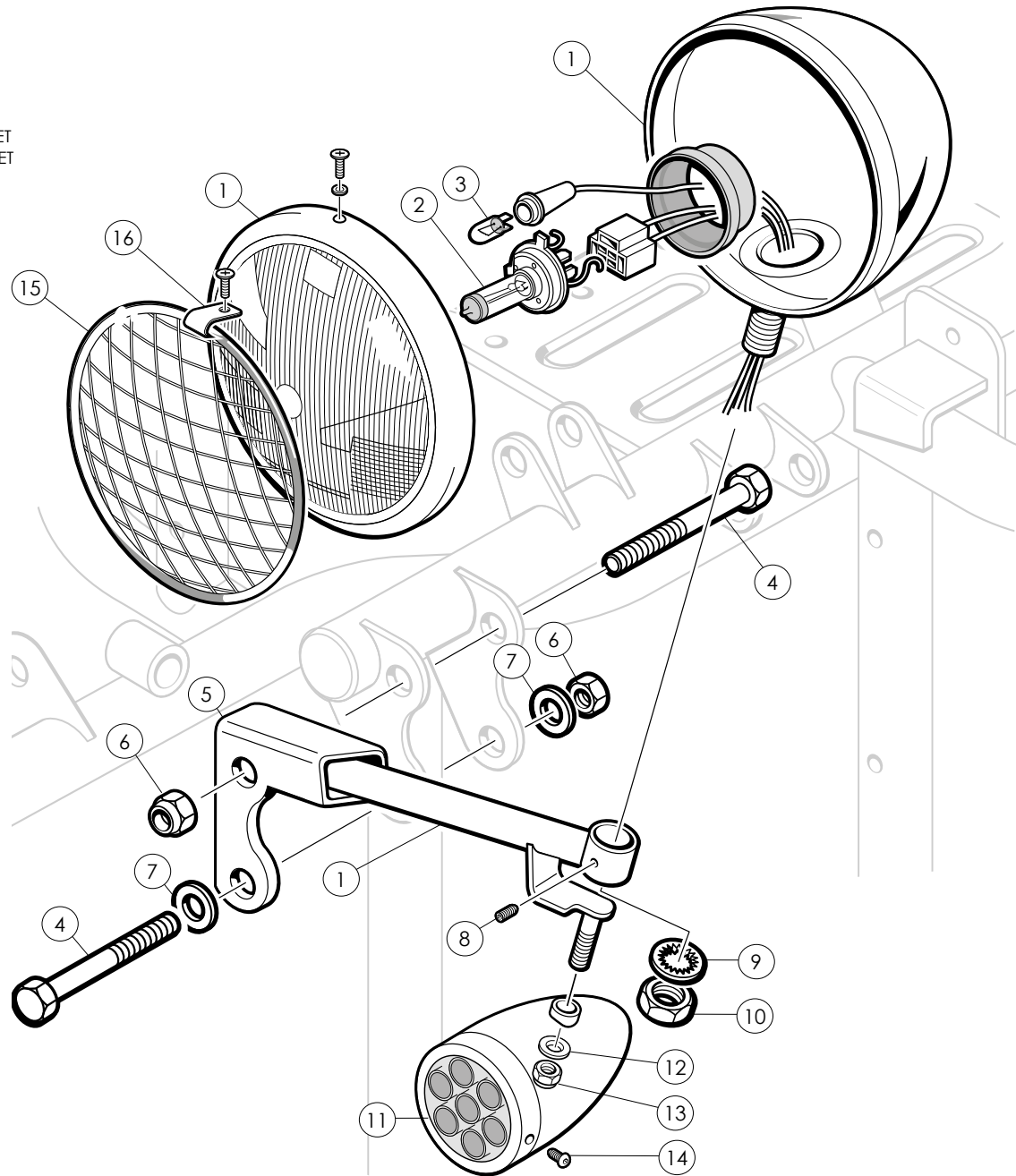
BATTERY

- 1 E340025 BATTERY
- 2 T060103 BATTERY STRAP SHORT
- 3 E340014 BATTERY HARNESS
- 4 T060079 BATTERY RETAINING HOOK
- 5 NUT M5 NYLOC
- 6 M6 WASHER FLAT
- 7 M6 NYLOC NUT
- 8 BOLT SET M6 X 20
- 9 BOLT SET M6 X 16
- 10 M6 X 15 SKT BUTTON



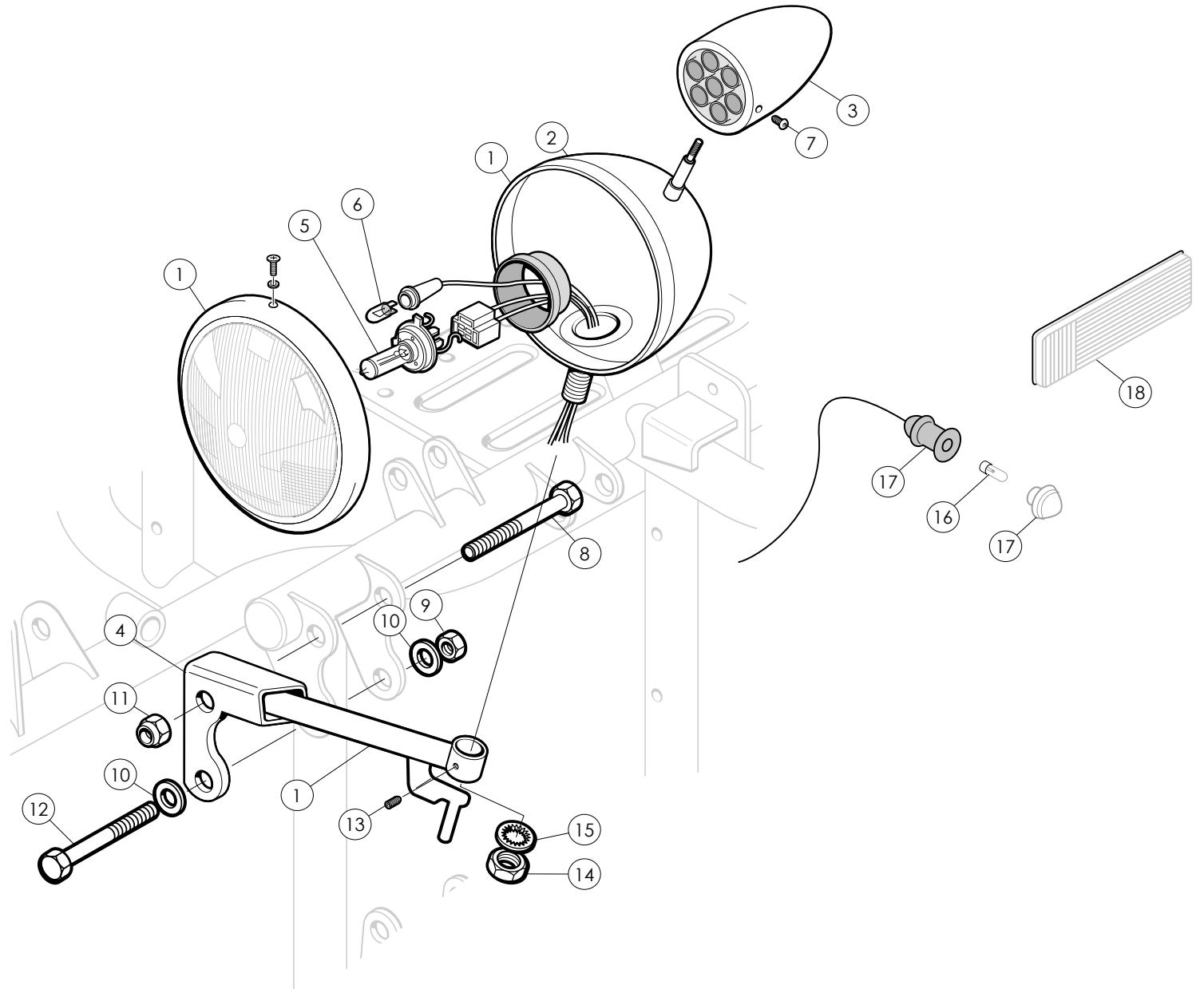
FRONT LIGHTS

- 1 E340018 LH HEADLAMP BLACK LESS INDICATOR/BRACKET
- E340019 RH HEADLAMP BLACK LESS INDICATOR/BRACKET
- E340020 LH HEADLAMP POLISHED LESS INDICATOR/BRACKET
- E340021 RH HEADLAMP POLISHED LESS INDICATOR/BRACKET
- E340201 LH HEADLAMP UNIT LHD
- E340202 RH HEADLAMP UNIT RHD
- E340203 HEADLAMP RIM
- A340016 LH LHD POLISHED STEEL HEADLAMP
- A340017 RH RHD POLISHED STEEL HEADLAMP
- A340014 LH RHD BLACK STEEL HEADLAMP
- A340015 RH RHD BLACK STEEL HEADLAMP
- A340012 LH LHD BLACK STEEL HEADLAMP
- A340013 RH RHD BLACK STEEL HEADLAMP
- E340263 LHD HEADLAMP BLACK USA
- E340264 LHD HEADLAMP POLISHED USA
- E340265 LHD HEADLAMP UNIT
- E350007 HEADLAMP LOOM
- 2 MLA0472 HEADLAMP BULB H4 HAL
- 3 MLA0501 FLASHER REPEATER BUL
- 4 M12 X 70 HEX HEAD
- 5 A060005 FRONT LIGHT MOUNTING BAR LH
- A060006 FRONT LIGHT MOUNTING BAR RH
- A060291 FRONT LIGHT MOUNTING BAR LH EURO 4 2017 ON
- A060292 FRONT LIGHT MOUNTING BAR RH EURO 4 2017 ON
- 6 M12 NYLOC NUT T
- 7 WASHER FLAT 1/2 OPTIONAL
- 8 GRUB SCREW M6 X 12
- 9 WASHER S/PROOF 7/16
- 10 MGN0096 M8 SQUARE CAGE NUT
- 11 E340024 LED FOR FRONT INDICATOR
- E340024C FRONT INDICATOR HOUSING CHROME
- M400005 FRONT INDICATOR HOUSING BLACK
- 12 M8 FLAT WASHER
- 13 M8 "T" NYLON ZINC
- 14 No. 4 X 3/8" SELF TAPPER BLACK
- 15 M3W5100 HEADLAMP GUARD (PAIR)
- 16 B400021 CLIP UPPER
- B400020 CLIP LOWER



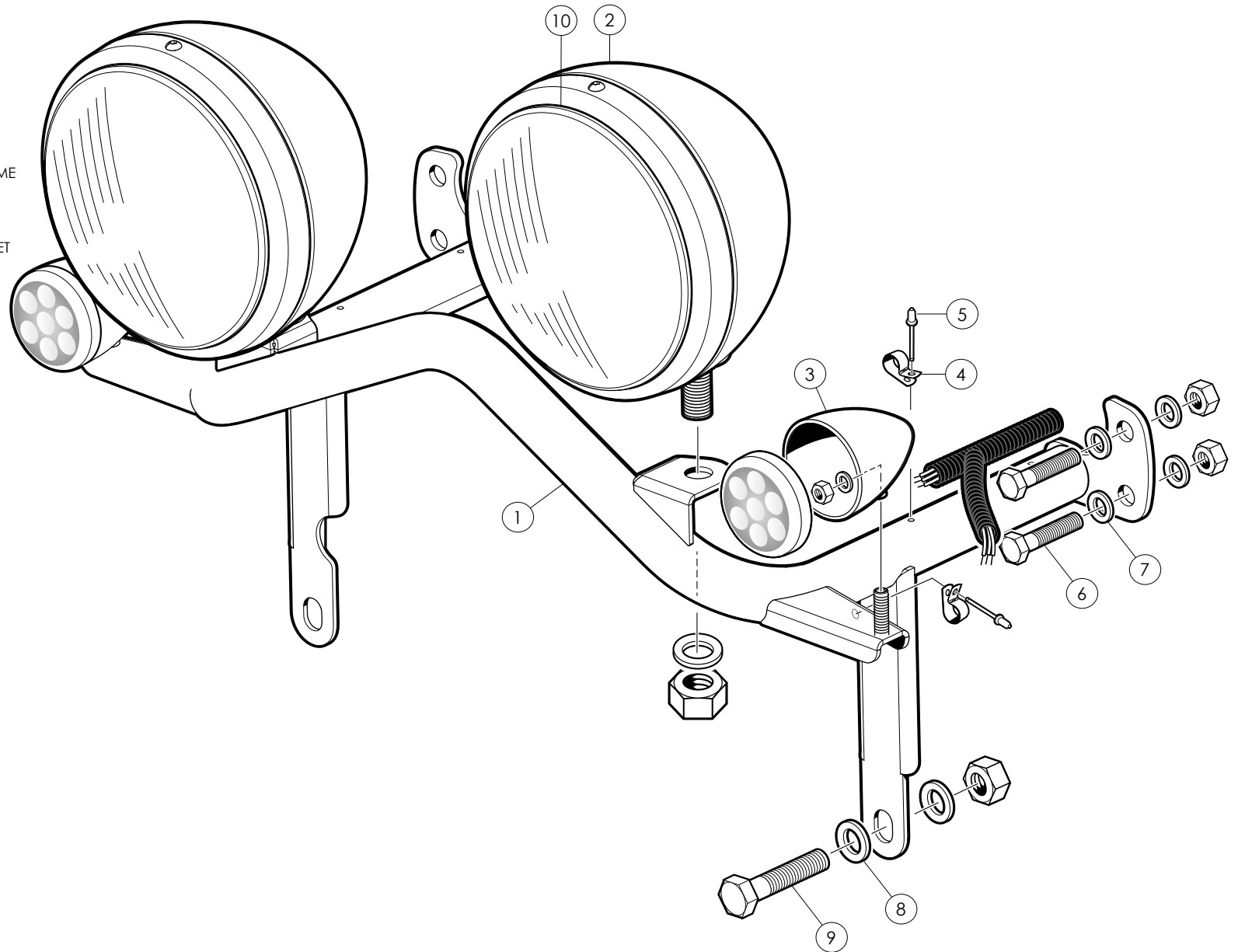
FRONT LIGHTS AUSTRALIA

- 1 E340202 HEADLAMP UNIT
- E340303 HEADLAMP RIM
- T400036 FRONT INDICATOR PEDESTAL - AUSTRALIA
- E340112 3W LH BLACK H/LIGHT
- E340113 3W RH BLACK H/LIGHT
- E340114 LH POLISHED H/LIGHT
- E340115 RH POLISHED H/LIGHT
- 2 NSS NOT SUPPLIED SEPERATELY
- 3 E340024 LED FOR FRONT INDICATOR
- E340024C FRONT INDICATOR HOUSING CHROME
- M400005 FRONT INDICATOR HOUSING BLACK
- 4 A060005 FRONT LIGHT MOUNTING LH
- A060006 FRONT LIGHT MOUNTING RH
- 5 MLA0472 HEADLAMP BULB H4 HAL
- 6 MLA0501 FLASHER REPEATER BULB
- 7 No. 4 X 3/8 SELF TAPPER
- 8 BOLT M12 X 70 HEX
- 9 NUT M12 NYLOC
- 10 WASHER FLAT 1/2 OPTIONAL
- 11 NUT M12 NYLOC
- 12 BOLT M12 X 70 HEX
- 13 GRUB SCREW M6 X 12
- 14 MGN0096 M8 SQUARE CAGE NUT
- 15 WASHER S/PROOF 7/16
- 16 MLA0286 BULB
- 17 MLA0555 FLASHER REPEATER UP TO 02/03/2017
- U350002 SIDE REPEATER LED 02/03/2017 ON
- 18 U400032 OVAL REFLECTOR ORANGE
- U400032 OVAL REFLECTOR RED



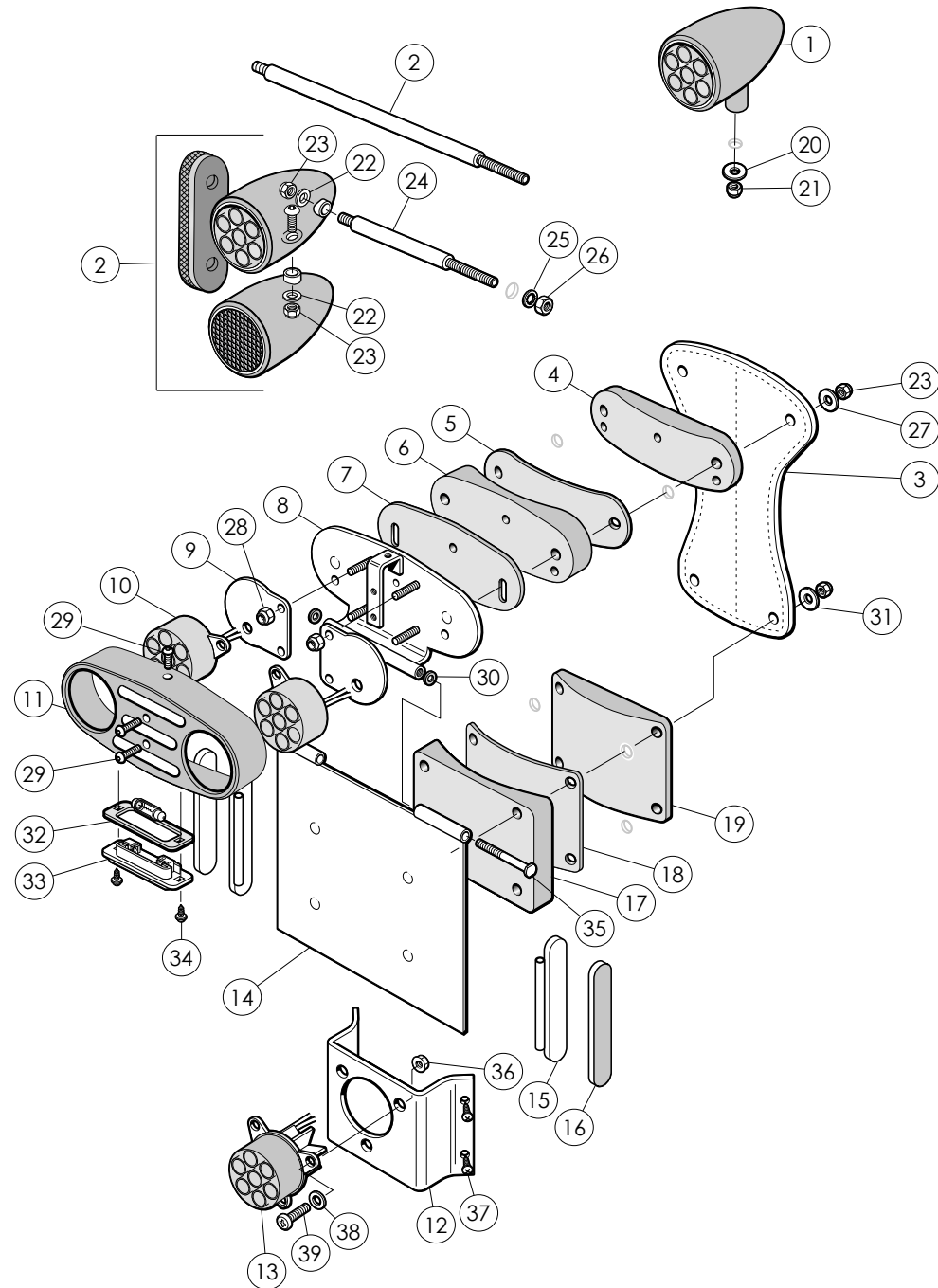
FRONT LIGHTS USA

- 1 A060078 USA LAMP MTG BAR 3W
- 2 E340263 LHD HEADLAMP BLACK USA
- 3 E340264 LHD HEADLAMP POLISHED USA
- 4 E340024 LED FOR FRONT INDICATOR
- 5 E340024C FRONT INDICATOR HOUSING CHROME
- 6 M400005 FRONT INDICATOR HOUSING BLACK
- 7 MGE0116 CLIP WIRING No. 8
- 8 POP RIVET 3.2 X 9.5
- 9 BOLT M12 X 70 HEX HEAD DACROMET
- 10 WASHER FLAT 7/16 STEEL
- 11 BOLT 7/16 X 22.75 UNF HEX HEAD



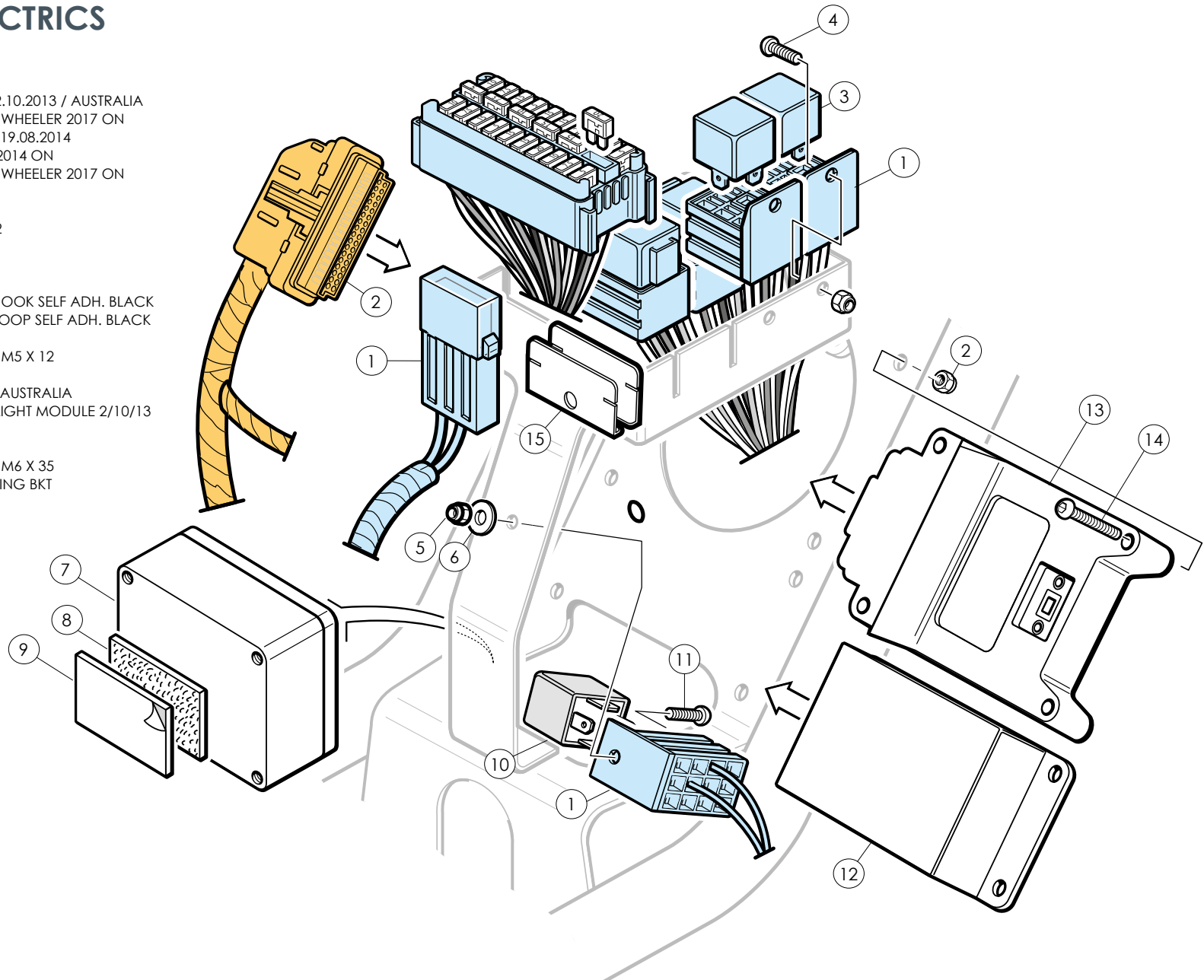
REAR LIGHTS

- 1 U340032 3W HIGH LEVEL STOP LIGHT
- T400037 PEDESTAL HIGH LEVEL STOP LIGHT - AUSTRALIA
- 2 A400011 REAR INDICATOR & REFLECTOR ASSEMBLY LH EURO 3
- A400017 AR INDICATOR & REFLECTOR ASSEMBLY RH EURO 3
- A400011C REAR INDICATOR & REFLECTOR ASSEMBLY LH CH
- A400017C AR INDICATOR & REFLECTOR ASSEMBLY RH CH
- A400110 REAR INDICATOR AND REFLECTOR ASSEMBLY LH EURO 4 2017
- A400111 REAR INDICATOR AND REFLECTOR ASSEMBLY RH EURO 4 2017
- 3 A400013 SADDLE LEATHER TRIM SET LHD DISTRESSED TAN
- A400014 SADDLE LEATHER TRIM SET RHD DISTRESSED TAN
- 3 A400015 SADDLE LEATHER TRIM SET LHD BLACK
- A400016 SADDLE LEATHER TRIM SET RHD BLACK
- 4 T400015 REAR HINGE INNER UPPER MTG
- 5 M400002 REAR HINGE UPPER MOUNTING BLOCK
- 6 T400007 REAR HINGE UPPER MOUNTING BLOCK
- 7 D400012 REAR REFLECTOR HINGE MOUNTING SPACER
- 8 A400012 REAR HINGE
- 9 B400005 TAIL LIGHT MTG BRKT
- 10 U340034 LED REVERSE LAMP 3W
- 11 M400003 TAIL LIGHT COVER
- M400018 REAR LIGHT COVER STAINLESS
- 12 B340005 FOG LAMP MOUNT BKT
- 13 E340027 REAR FOG LIGHT
- U340034 LED REVERSE LAMP 3W
- 14 A400012 REAR BOOT HINGE ASSEMBLY
- 15 B400022 RED REFLECTOR MTG REAR
- 16 U400032 OVAL REFLECTOR RED
- 17 T400005 REAR HINGE MOUNTING
- 18 M400001 REAR HINGE MOUNTING
- 19 T400006 REAR HINGE INNER MOUNTING BLOCK
- 20 MGW0220 WASHER S/PROOF 7/16 STEEL
- 21 M10 X 1.25 HALF NUT
- 22 WASHER S/STEEL 6mm
- 23 M8 "T" NYLON ZINC
- 24 NSS SHORT INDICATOR BAR EURO 3 (PART OF ITEM 2)
- 25 WASHER FLAT M10 DACR
- 26 M10 X 1.25 HALF NUT
- 27 WASHER PENNY 5/16
- 28 NUT M5 FLANGED
- 29 M4 X 14 BUTTON SOC HD
- 30 T400003 REAR HINGE SPACER WA
- 31 WASHER PENNY 5/16 STEEL
- 32 E340075 BULB No PLATE
- 33 E340029 NUMBER PLATE LIGHT
- 34 No. 4 X 3/8" SELF TAPPER BLACK
- 35 REAR HINGE PIVOT BOLT EURO 3
- 36 NUT M5 FLANGED
- 37 M4 X 14 SKT BUTTON SCREW STEEL
- 38 WASHER M5
- 38 SCREW M5 X 12

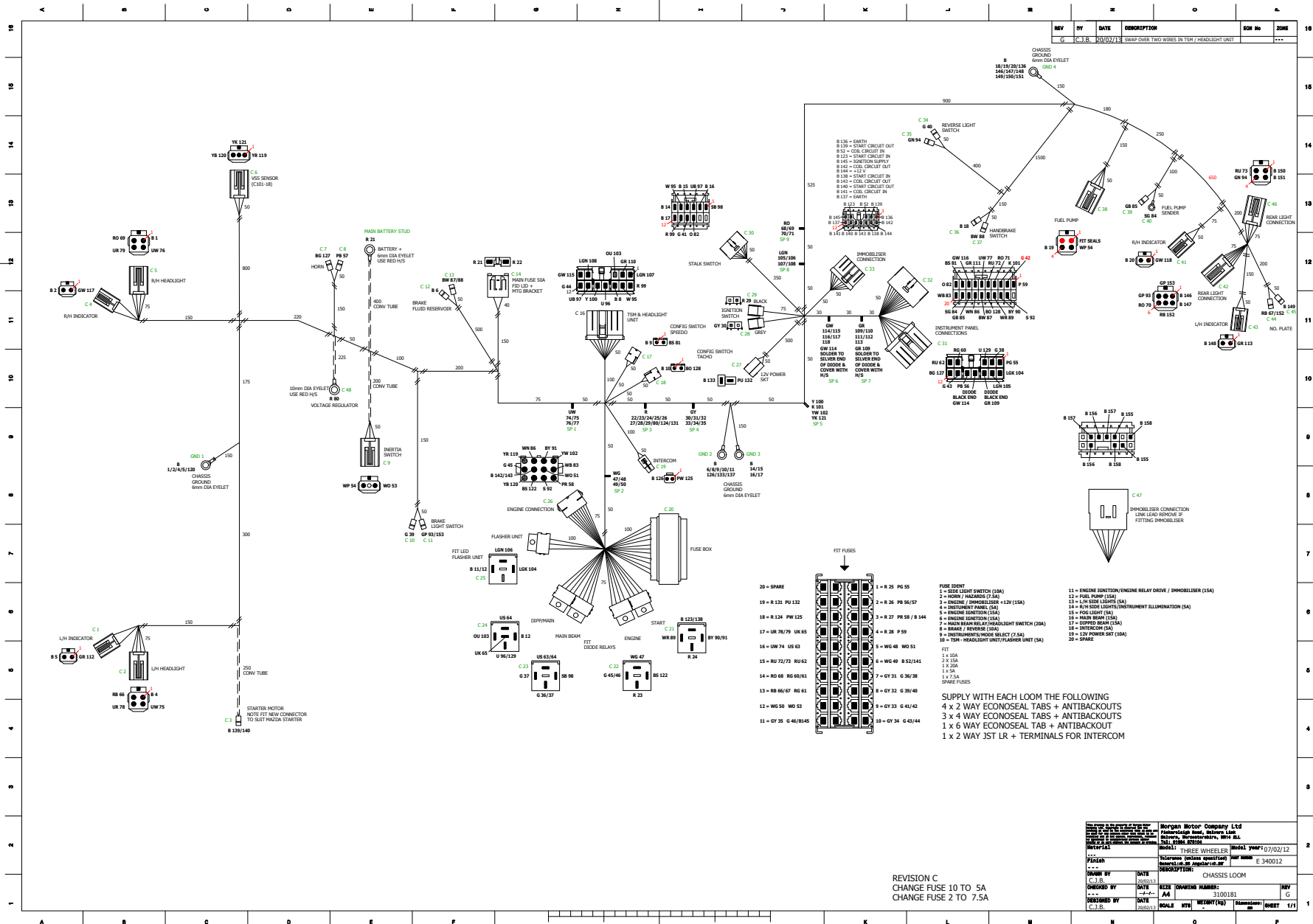


FUSEBOX AND ELECTRICS

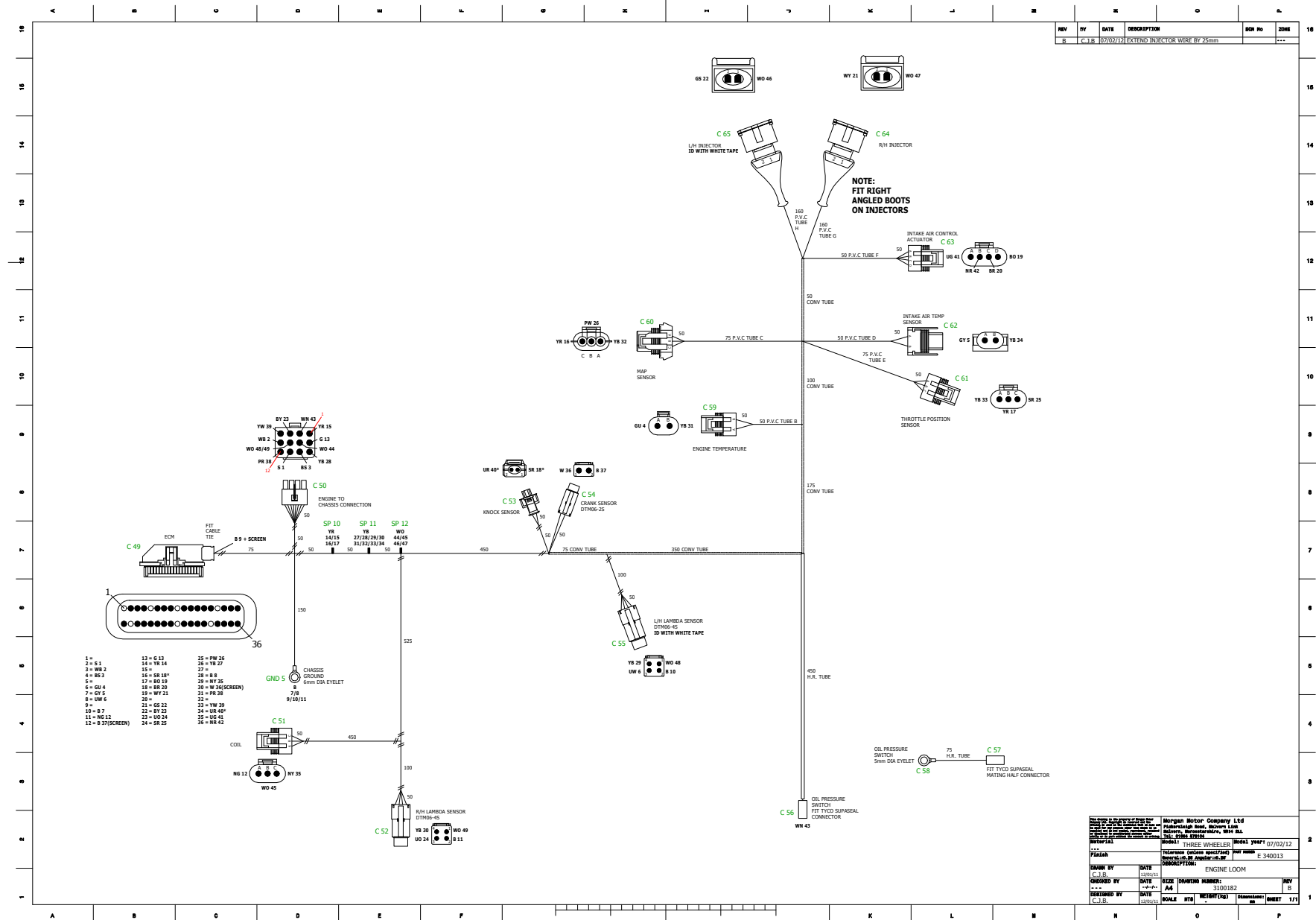
- 1 E340012 CHASSIS HARNESS
E340096 3W CHASSIS HARNESS 02.10.2013 / AUSTRALIA
E340285 CHASSIS HARNESS EU4 3 WHEELER 2017 ON
- 2 E340013 ENGINE HARNESS UP TO 19.08.2014
E340097 ENGINE HARNESS 19.08.2014 ON
E340285 CHASSIS HARNESS EU4 3 WHEELER 2017 ON
E340289 ENGINE HARNESS EU4
- 3 MEE0781 RELAY DIODE
- 4 MGS063002 SOCKET BUTTON M5 X 12
- 5 NUT M5 NYLOC 6/6/03 -
- 6 WASHER 1/4 PENNY
- 7 E340015 DIP/MAIN BEAM UNIT
- 8 MUP6472 TOUCH AND CLOSE 2" HOOK SELF ADH. BLACK
- 9 MUP6473 TOUCH AND CLOSE 2" LOOP SELF ADH. BLACK
- 10 U340013 LED FLASHER RELAY
- 11 SCREW SOCKET BUTTON M5 X 12
- 12 E340064 TURN SIGNAL MODULE
E340099 TURN SIGNAL MODULE - AUSTRALIA
E340098 EU 3W TURN SIGNAL ,H/LIGHT MODULE 2/10/13
- 13 E340002 ENGINE ECU
E340284 ENGINE ECU EU4
- 14 SCREW SOCKET BUTTON M6 X 35
- 15 B340031 M3W OBD PORT MOUNTING BKT



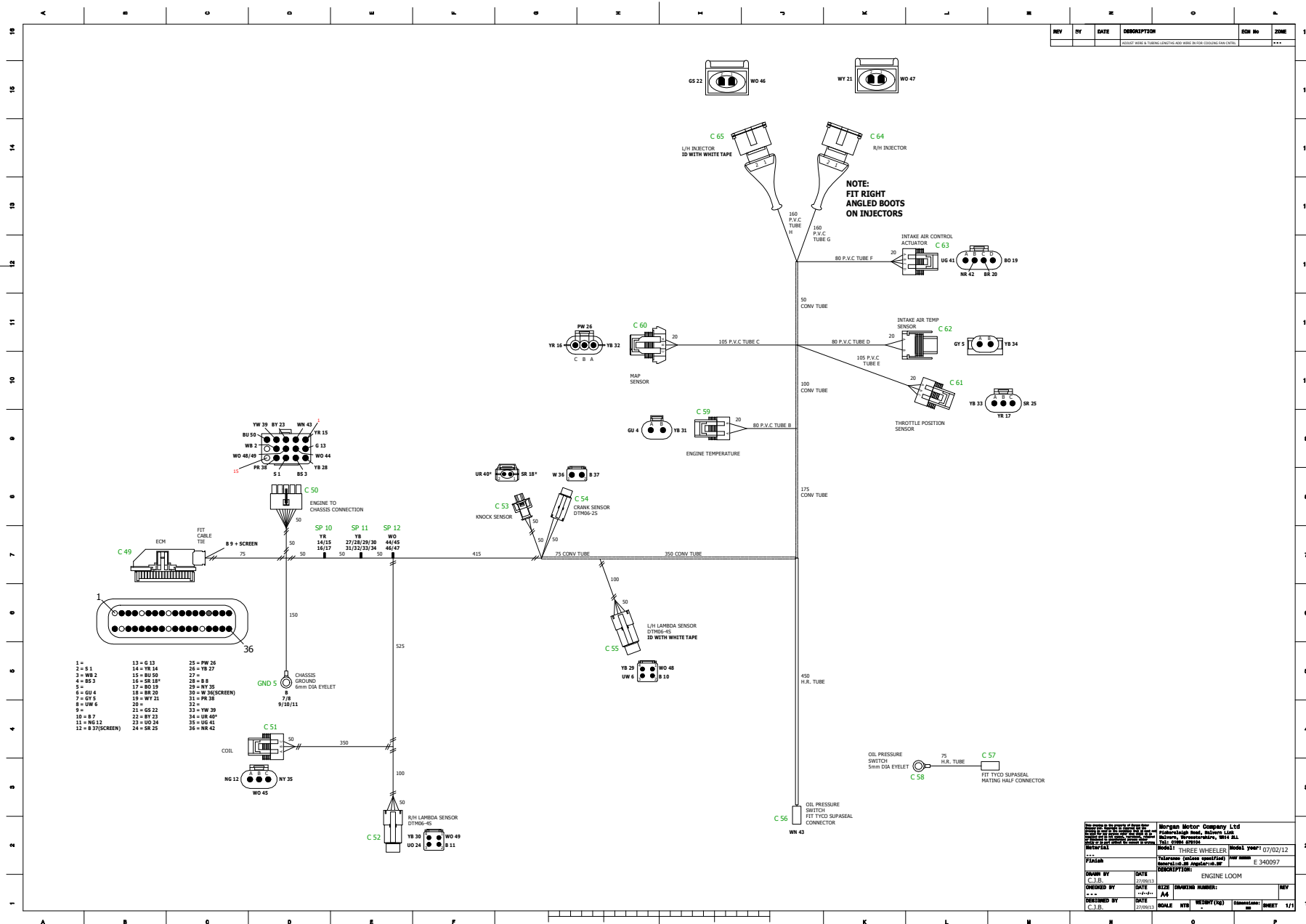
CHASSIS LOOM - 2014



ENGINE LOOM - 2014



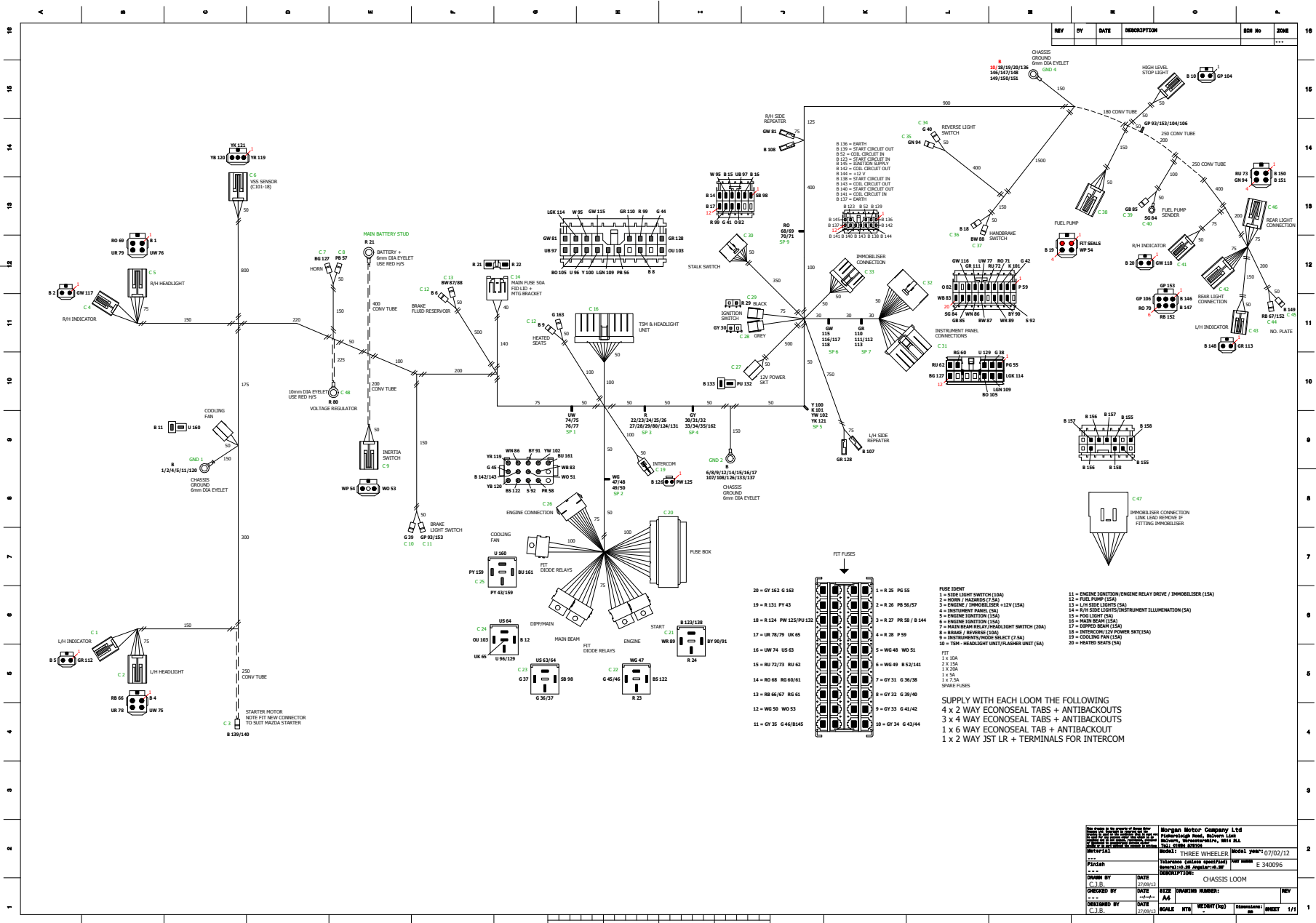
ENGINE LOOM 2014 (chassis No. SA9M3WV2EDP202114) -



REV	BY	DATE	DESCRIPTION	ECN No	ZONE
...	ADJUST WIRE & TUBING LENGTHS AND WIRE IN FOR LOCALS FOR CLINTS

Morgan Motor Company Ltd Haverhill Road, Haverhill, Cambridgeshire, UK 750, 750B, 750C, 750D, 750E, 750F, 750G, 750H, 750I, 750J, 750K, 750L, 750M, 750N, 750O, 750P, 750Q, 750R, 750S, 750T, 750U, 750V, 750W, 750X, 750Y, 750Z		Morgan Motor Company Ltd Haverhill Road, Haverhill, Cambridgeshire, UK 750, 750B, 750C, 750D, 750E, 750F, 750G, 750H, 750I, 750J, 750K, 750L, 750M, 750N, 750O, 750P, 750Q, 750R, 750S, 750T, 750U, 750V, 750W, 750X, 750Y, 750Z	
Part No: SA9M3WV2EDP202114 Description: ENGINE LOOM Material: THREE WHEELER Finish: POLYURETHANE Date: 07/02/12 E 340097		Part No: SA9M3WV2EDP202114 Description: ENGINE LOOM Material: THREE WHEELER Finish: POLYURETHANE Date: 07/02/12 E 340097	
DRAWN BY: C.J.B. CHECKED BY: J.A. DESIGNED BY: C.J.B.	DATE: 22/09/11 DATE: 07/02/12 DATE: 22/09/11	SIZE: A4 SCALE: 1:1 HTD: 100 WEIGHT (kg): 1.1	REV: 1 DRAWING NUMBER: 340097 DRAWN BY: J.A. DATE: 07/02/12 CHECKED BY: J.A. DATE: 07/02/12 DESIGNED BY: J.A. DATE: 07/02/12

CHASSIS LOOM 2014 (chassis No. SA9M3WV2EDP202114) -

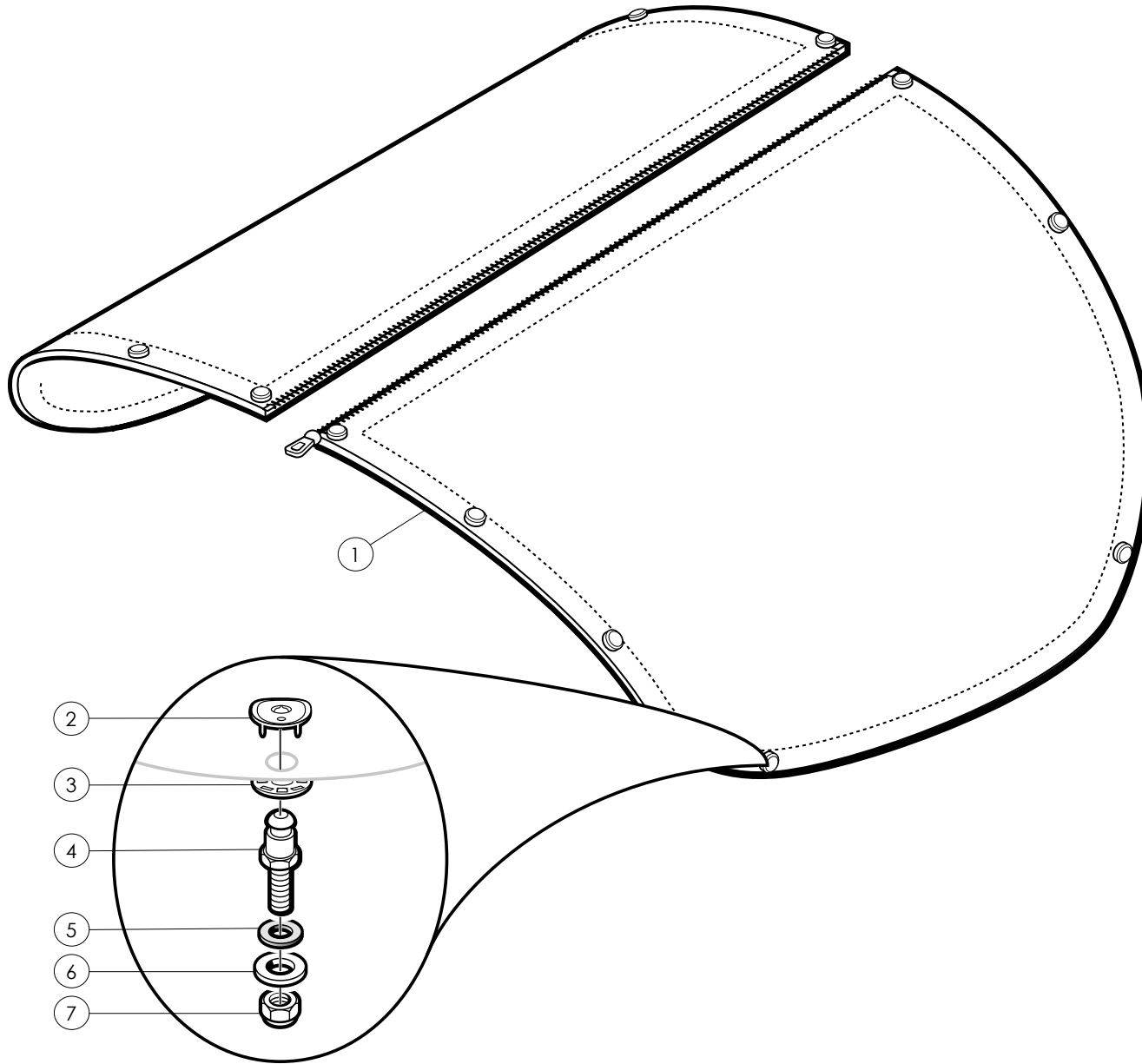




MISCELLANEOUS

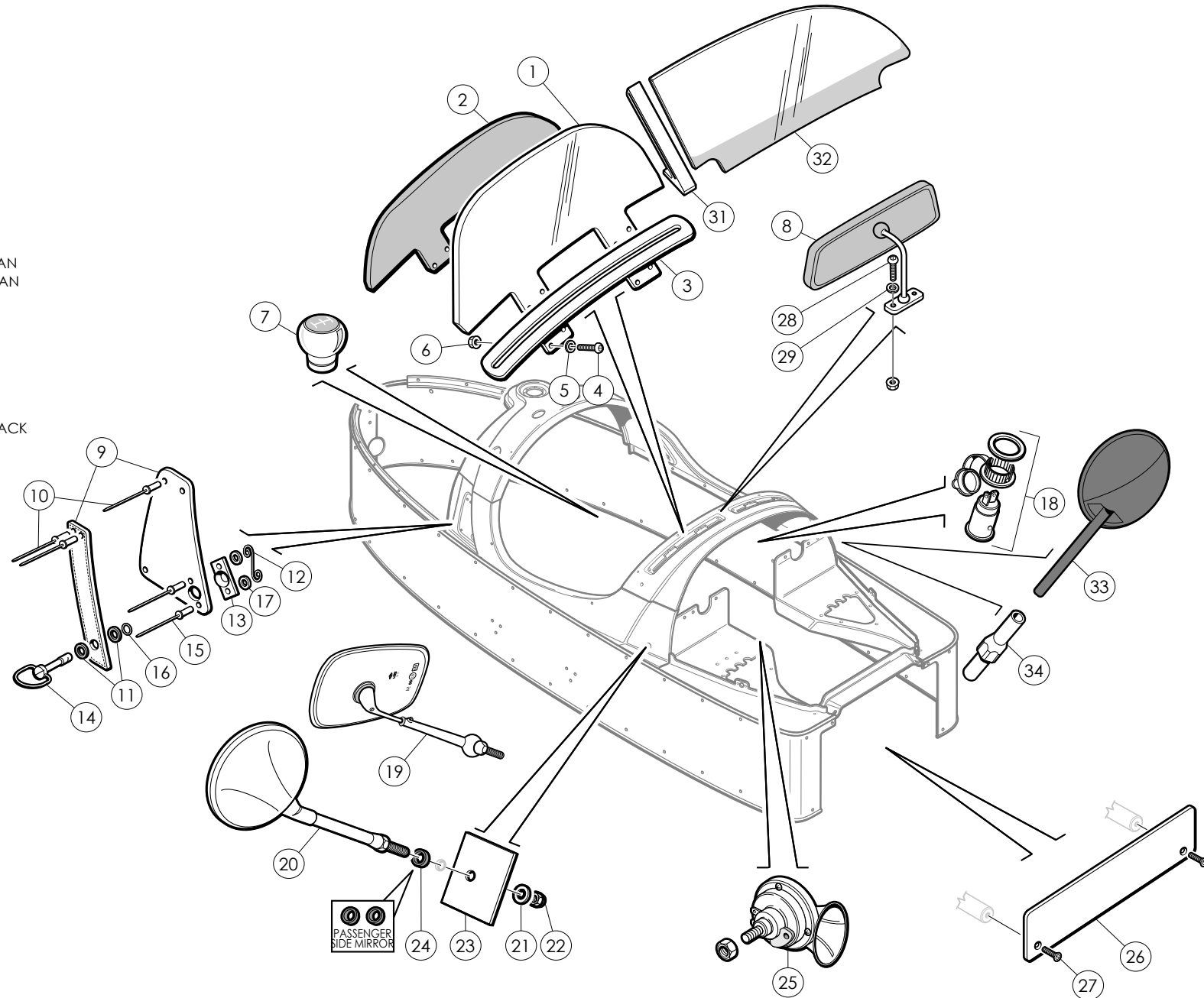
COVER

- 1 J400001 TONNEAU STD PVC 3 LHD
- J400002 LH TONNEAU T/FAST LHD
- J400004 TONNEAU STD PVC 3 RHD
- J400005 LH TONNEAU T/FAST RHD
- 2 MUP6100 LIFT THE DOT SOCKET
- 3 MUP6120 LIFT THE DOT PLATE
- 4 MUP6170 LIFT THE DOT 2BA M/T
- 5 MGW0011 STEEL FASTENER 3/6
- 6 WASHER FIBRE M5 X 10
- 7 M5 NYLOC NUT



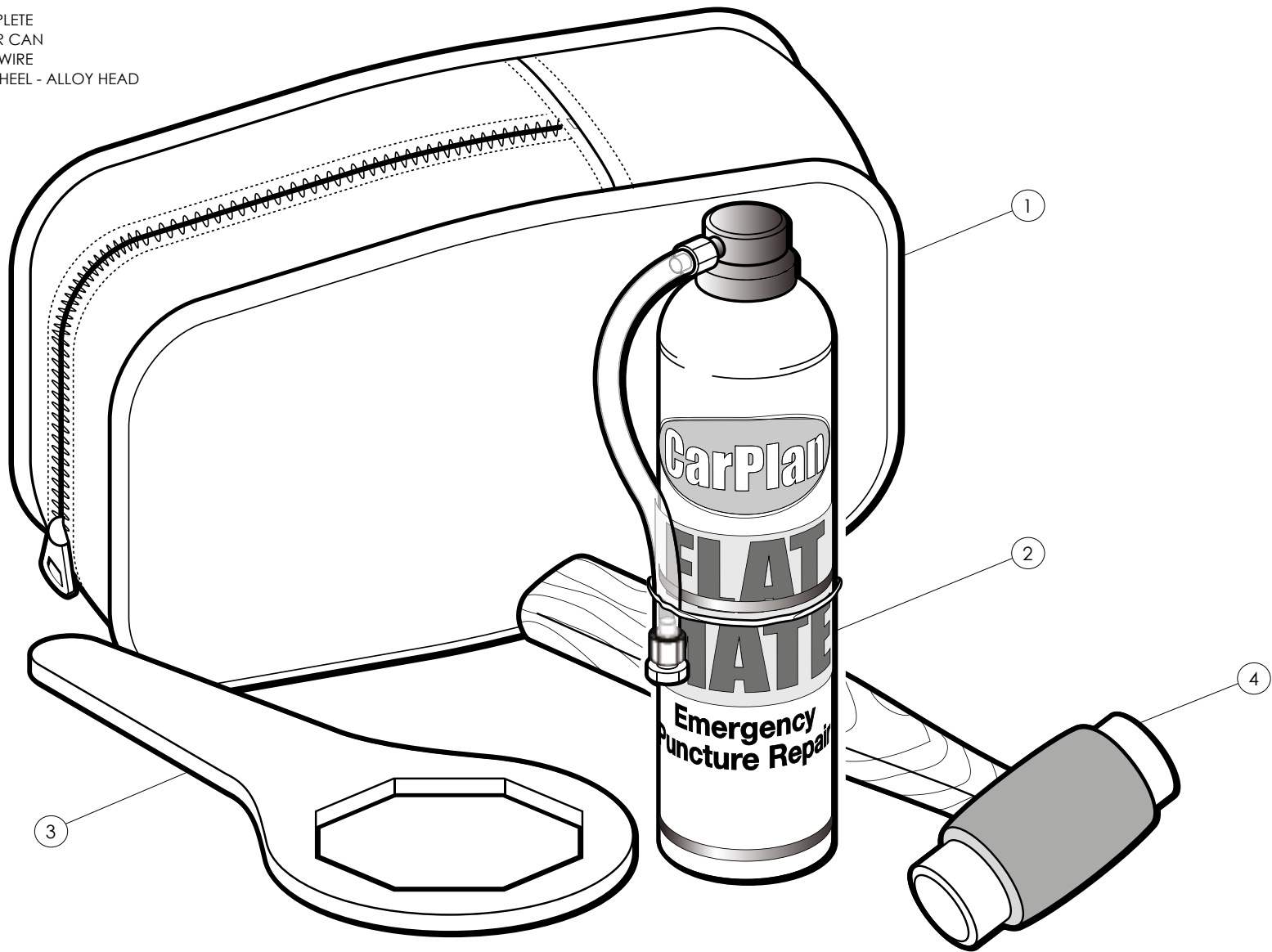
FIXTURES AND FITTINGS

- 1 G400001 LH FLY SCREEN
- 2 G400008 FLY SCREEN AUSTRALIA
- 3 P400002 LH FLYSCREEN MOUNT PANEL
- 4 P400003 RH FLYSCREEN MOUNT PANEL
- 4 BOLT SET M6 X 20
- 5 WASHER FLAT 1/4
- 6 NUT M6 FLANGED
- 7 MMM6118 GEARLEVER KNOB V6
- 8 U430003 SUPERDRY GEAR KNOB
- 8 U430023 REARVIEW MIRROR ASSY - AUSTRALIA
- 9 A400013 SADDLE LEATHER TRIM SET LHD DISTRESSED TAN
- 9 A400014 SADDLE LEATHER TRIM SET RHD DISTRESSED TAN
- 9 A400015 SADDLE LEATHER TRIM SET LHD BLACK
- 9 A400016 SADDLE LEATHER TRIM SET RHD BLACK
- 10 RIVET POP 3.2 X 9.5mm
- 11 M520001 PANEL WASHER FOR DZUS
- 12 U090001 DZUS RECEPTACLE
- 13 M090001 DZUS GUIDE
- 14 U090002 DZUS
- 15 3.2 X 16mm RIVET LARGE HEAD (10mm) - BLACK
- 16 U090003 DZUS RETAINER RING
- 17 WASHER FLAT 1/8X035
- 18 MMM10125 POWER OUTLET SOCKET
- 19 U400043 DOOR MIRROR PASSENGER SIDE AUSTRALIA
- 19 U400044 DOOR MIRROR DRIVER SIDE AUSTRALIA
- 20 A400030 DOOR MIRROR
- 20 U400037 DOOR MIRROR - SUPER DRY CARS ONLY
- 20 U400044 DOOR MIRROR DRIVER SIDE AUSTRALIA & EU4
- 21 WASHER FLAT 7/16
- 22 MGN0250 NUT ENGINE MOUNTING M10
- 23 D090005 MIRROR RE-INFORCING
- 24 SP400001 DOOR MIRROR WEDGE
- 25 MEE0960 HORN LOW TONE
- 26 T060048 NUMBER PLATE MOUNTING PANEL SOCKET CSK M6 X 25
- 27 T400038 NUMBER PLATE SPACER - AUSTRALIA
- 28 SCREW CSK M5 X 16 POLISHED
- 29 WASHER FLAT 4BA
- 30 NUT M5 NYLOC
- 31 SA400004 CENTRE SCREEN MOUNT
- 32 G400018 FLY SCREEN LH "TALL"
- 32 G400019 FLY SCREEN RH "TALL"
- 33 U400059 BLACK MIRROR EU4
- 34 T400056 MIRROR MOUNTING BASE SHAFT



TOOL KIT

- 1 A430053 TOOL BAG COMPLETE
- 2 MRW10790 PUNCTURE REPAIR CAN
- 3 MRW0300 WHEEL SPANNER WIRE
- 4 MRW0325 HAMMER WIRE WHEEL - ALLOY HEAD



OIL AND LUBRICANTS

- 1 R120005 K323 BLUE GREASE COMPENSATOR
- 2 CQ00010 V TWIN 20/50 ENGINE OIL
- 3 R170001 AQ140 GOLDEN FLM GEAR OIL BEVEL BOX
- 4 CG00055 BRAKE FLUID
- 5 CG00050 K42EP MEDIUM GREASE WHEEL HUB

