



# UNDERCARRIAGE COMPONENTS FOR MINING DOZERS AND EXCAVATORS



ITM is a worldwide leader specialising in the design, development and manufacture of undercarriage components and systems for earthmoving, construction, mining, agricultural crawler machines as well as specialised non-standard applications.

In response to the increasing demand for machines suitable to meet specific working environments and applications, ITM is proud to offer the most advanced solutions and comprehensive service to the mining industry.

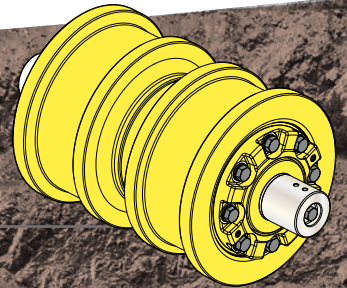
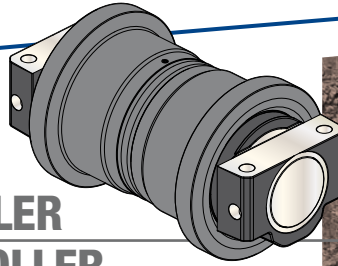
For many years ITM has been the supplier of choice to many Original Equipment Manufacturers of Mining Machines worldwide.

By the design and engineering expertise, extensive research and development, combined with the usage of the most advanced technologies, ITM develops innovative, reliable and competitive products, that meet the highest quality standards.

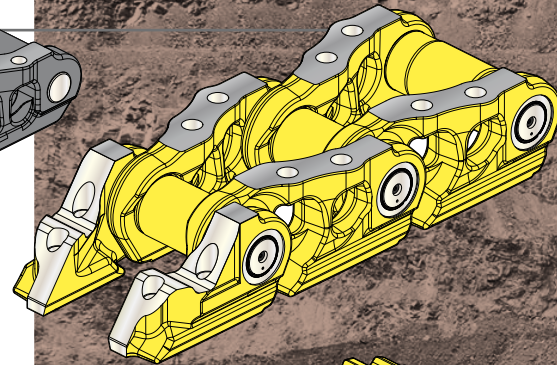
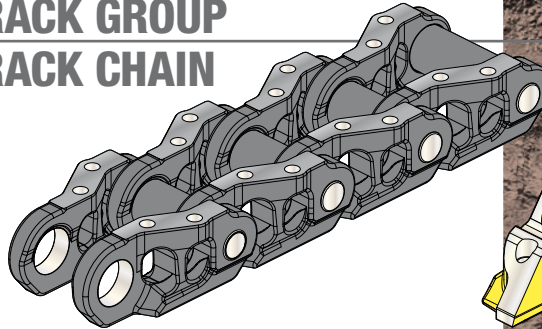
ITM focuses on providing the best supply service to its Customers, before, during and after the sale.

The mining industry is a key focus for the Group and ITM's strategic objective is to establish, directly or through ITM Distributors, a well-integrated network of Mining Service Centres in the major mining areas around the world which will provide a complete specialised undercarriage maintenance service. ITM mining service centres have properly trained professionals, the right expertise and tools, backed up by the best parts availability to enable machines to be up and running quickly and reliably.

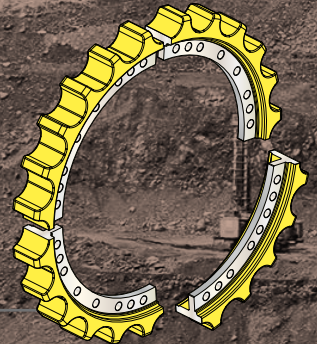
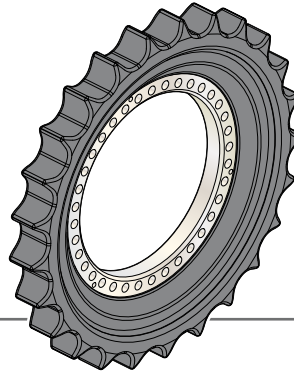
## TRACK ROLLER CARRIER ROLLER



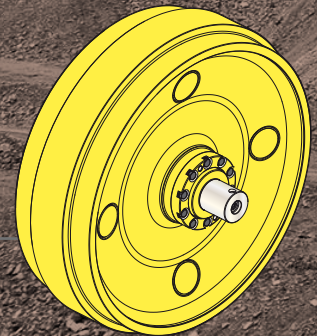
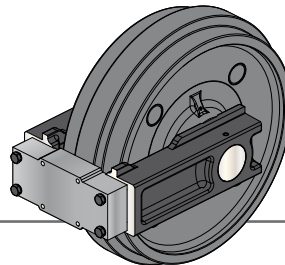
## TRACK GROUP TRACK CHAIN



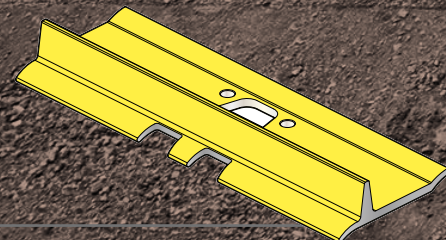
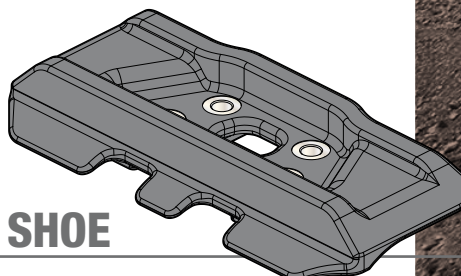
## SPROCKET



## IDLER



## TRACK SHOE





# CATERPILLAR



| Brand                          | Machine Model/Series | Chain Pitch (mm) |
|--------------------------------|----------------------|------------------|
| <b>CATERPILLAR</b>             | <b>D8N-R-T</b>       | <b>215,90</b>    |
| <b>Description</b>             | <b>ITM P/N</b>       |                  |
| Track Group                    | M01081R5M44559       |                  |
| Track Group                    | M01081R5M44610       |                  |
| Track Group                    | M01081R6M44559       |                  |
| Track Group                    | M01081R6M44610       |                  |
| Track Chain                    | G01080A0M00044       |                  |
| Track Group PPR                | M01081J0M44610       |                  |
| Track Chain PPR                | G01080J0M00044       |                  |
| Track Shoe                     | Z01081N2N0559V       |                  |
| Track Shoe                     | Z01081N2N0610V       |                  |
| Track Shoe                     | ZZ1081R0N0559V       |                  |
| Track Shoe                     | ZZ1081R0N0610V       |                  |
| Track Roller                   | A01089T0M00          |                  |
| Track Roller                   | B01089T0M00          |                  |
| Carrier Roller                 | C01081N0M00          |                  |
| Segment Group                  | S01085T0M00          |                  |
| Front Idler                    | P01080R4M00          |                  |
| Rear Idler                     | P01080R5M00          |                  |
| <b>CATERPILLAR</b>             | <b>D9N-R-T</b>       | <b>240,00</b>    |
| <b>Description</b>             | <b>ITM P/N</b>       |                  |
| Track Group                    | M01091N2M43610       |                  |
| Track Chain                    | G01090R0M00043       |                  |
| Track Group PPR                | M01091S0M43610       |                  |
| Track Chain PPR                | G01090S0M00043       |                  |
| Track Shoe                     | Z01091N1N0610V       |                  |
| Track Roller (Carrier)         | A01099R0M00          |                  |
| Track Roller                   | A01099R0M00          |                  |
| Track Roller                   | B01099R0M00          |                  |
| Segment Group                  | S01095N0M00          |                  |
| Idler                          | P01090R0M00          |                  |
| <b>CATERPILLAR</b>             | <b>D10N-R-T</b>      | <b>260,40</b>    |
| <b>Description</b>             | <b>ITM P/N</b>       |                  |
| Track Group IPR with ES Shoes  | M01101R5M44610       |                  |
| Track Group IPR with ES Shoes  | M01101R5M44710       |                  |
| Track Group IPR with ES Shoes  | M01101R5M44760       |                  |
| Track Chain IPR                | G01100T2M00044       |                  |
| Track Shoe ES                  | Z01101P1N0610V       |                  |
| Track Shoe ES                  | Z01101P1N0710V       |                  |
| Track Shoe ES                  | Z01101P1N0760V       |                  |
| Track Group IPR with SES Shoes | M01101U0M44610       |                  |
| Track Shoe SES                 | Z01101V0N0610V       |                  |
| Track Group PPR with SES Shoes | M01101T0M44610       |                  |
| Track Group PPR with SES Shoes | M01101T0M44710       |                  |
| Track Chain PPR                | G01100S0M00044       |                  |
| Track Shoe SES                 | Z01101V0N0710V       |                  |
| Track Roller (Carrier)         | A01109T1M00          |                  |
| Track Roller                   | A01109T1M00          |                  |
| Track Roller                   | B01109T1M00          |                  |
| Segment Group                  | S01105N0M00          |                  |
| Idler                          | P01100T0M00          |                  |



# CATERPILLAR

# KOMATSU

| Brand                         | Machine Model/Series | Chain Pitch (mm) |
|-------------------------------|----------------------|------------------|
| <b>CATERPILLAR</b>            | <b>D11N-R-T</b>      | <b>317,50</b>    |
| <b>Description</b>            | <b>ITM P/N</b>       |                  |
| Track Group IPR with ES Shoes | M01111R4M41711       |                  |
| Track Group IPR with ES Shoes | M01111R4M41810       |                  |
| Track Group IPR with ES Shoes | M01111R4M41915       |                  |
| Track Chain IPR               | G01110T1M00041       |                  |
| Track Shoes ES                | Z01111D0N0711V       |                  |
| Track Shoe ES                 | Z01111D0N0810V       |                  |
| Track Shoe ES                 | Z01111D0N0915V       |                  |
| Track Group PPR with ES Shoes | M01111S0M41711       |                  |
| Track Chain PPR               | G01110S0M00041       |                  |
| Track Roller (Carrier)        | A01119N0M00          |                  |
| Track Roller                  | A01119N0M00          |                  |
| Track Roller                  | B01119N0M00          |                  |
| Segment Group                 | S01115T0M00          |                  |
| Idler                         | P01110N3M00          |                  |
| <b>CATERPILLAR/BUCYRUS</b>    | <b>6030 RH120E</b>   | <b>350,00</b>    |
| <b>Description</b>            | <b>ITM P/N</b>       |                  |
| Track Group Complete          | L2B30000M47A00       |                  |
| Monoblock                     | D2B300A0M05          |                  |
| Track Roller                  | A2B30000M00          |                  |
| Carrier Roller                | C2B30000M00          |                  |
| Idler                         | P2B30400M00          |                  |
| Tumbler                       | R2B30000M01          |                  |
| <b>CATERPILLAR/BUCYRUS</b>    | <b>6040 RH170</b>    | <b>350,00</b>    |
| <b>Description</b>            | <b>ITM P/N</b>       |                  |
| Track Group Complete          | L2B40MA0M42C00       |                  |
| Monoblock                     | D2B40000M05          |                  |
| Track Roller                  | A2B30000M00          |                  |
| Track Roller (Carrier)        | A2B40000M00          |                  |
| Idler                         | P2B40400M00          |                  |
| Sprocket                      | R2B40000M01          |                  |
| <b>CATERPILLAR/BUCYRUS</b>    | <b>7495 495HR2</b>   | <b>508,00</b>    |
| <b>Description</b>            | <b>ITM P/N</b>       |                  |
| Track Group Complete          | L01747A0M47L00       |                  |
| Track Group Section           | L0174700M01L00       |                  |
| Track Group Section           | L0174700M02L00       |                  |
| Monoblock                     | D01740A0M05          |                  |
| Track Roller                  | A0174000M00          |                  |
| Rear Track Roller             | A01740A0M00          |                  |
| Idler w/bushings              | P0174400M00          |                  |
| Sprocket                      | R0174000M01          |                  |

| Brand              | Machine Model/Series | Chain Pitch (mm) |
|--------------------|----------------------|------------------|
| <b>KOMATSU</b>     | <b>D155A</b>         | <b>228,60</b>    |
| <b>Description</b> | <b>1; 2</b>          |                  |
|                    | <b>ITM P/N</b>       |                  |
| Track Group        | K4015100M41560       |                  |
| Track Chain        | E4015000M00041       |                  |
| Track Group        | M40151D0M41560       |                  |
| Track Chain        | G40150D0M00041       |                  |
| Track Shoe         | Z40151C0N0560V       |                  |
| Track Roller       | A4015000M00          |                  |
| Track Roller       | B4015000M00          |                  |
| Carrier Roller     | C40151G0M00          |                  |
| Segment Group      | S40155A0M00          |                  |
| Idler              | P4015400M00          |                  |
| <b>KOMATSU</b>     | <b>D155A</b>         | <b>228,60</b>    |
| <b>Description</b> | <b>3; 5 65001-UP</b> |                  |
|                    | <b>ITM P/N</b>       |                  |
| Track Group        | M40131A0M41560       |                  |
| Track Chain        | G40130A0M00041       |                  |
| Track Group        | K4013100M41560       |                  |
| Track Chain        | E4013000M00041       |                  |
| Track Shoe         | Z40151C0N0560V       |                  |
| Track Roller       | A40159D0M00          |                  |
| Track Roller       | B40159D0M00          |                  |
| Carrier Roller     | C40151G0M00          |                  |
| Segment Group      | S40155A0M00          |                  |
| <b>KOMATSU</b>     | <b>D155AX</b>        | <b>228,60</b>    |
| <b>Description</b> | <b>3; 5 65001-UP</b> |                  |
|                    | <b>ITM P/N</b>       |                  |
| Track Group        | K4013100M41560       |                  |
| Track Chain        | E4013000M00041       |                  |
| Track Group        | M40131A0M41560       |                  |
| Track Chain        | G40130A0M00041       |                  |
| Track Shoe         | Z40151C0N0560V       |                  |
| Track Roller       | A40159D0M00          |                  |
| Track Roller       | B40159D0M00          |                  |
| Carrier Roller     | C40151G0M00          |                  |
| Segment Group      | S40155A0M00          |                  |
| <b>KOMATSU</b>     | <b>D155AX</b>        | <b>228,60</b>    |
| <b>Description</b> | <b>6 80001-UP</b>    |                  |
|                    | <b>ITM P/N</b>       |                  |
| Track Group        | K4013100M42560       |                  |
| Track Chain        | E4013000M00042       |                  |
| Track Group        | M40131A0M42560       |                  |
| Track Chain        | G40130A0M00042       |                  |
| Track Shoe         | Z40151C0N0560V       |                  |
| Track Roller       | A40159D0M00          |                  |
| Track Roller       | B40159D0M00          |                  |
| Carrier Roller     | C40151G0M00          |                  |
| Segment Group      | S40155A0M00          |                  |
| Idler              | P40154A0M00U         |                  |
| <b>KOMATSU</b>     | <b>D275A</b>         | <b>260,35</b>    |
| <b>Description</b> | <b>2 10001-UP</b>    |                  |
|                    | <b>ITM P/N</b>       |                  |
| Track Shoe         | Z4027100N0610V       |                  |
| <b>KOMATSU</b>     | <b>D275A</b>         | <b>260,35</b>    |
| <b>Description</b> | <b>5 25001-UP</b>    |                  |
|                    | <b>ITM P/N</b>       |                  |
| Track Group        | M4027101M39710       |                  |
| Track Chain        | G4027001M00039       |                  |
| Track Shoe         | Z4027100N0710V       |                  |
| Track Roller       | A4027900M00          |                  |
| Track Roller       | B4027900M00          |                  |
| Carrier Roller     | C4027100M00          |                  |
| Segment Group      | S40275A0M00          |                  |
| Idler              | P4027000M00          |                  |

# KOMATSU

| Brand              | Machine Model/Series   | Chain Pitch (mm) |
|--------------------|------------------------|------------------|
| <b>KOMATSU</b>     | <b>D275AX</b>          | <b>260,60</b>    |
| <b>Description</b> | <b>5 25001-UP</b>      | <b>ITM P/N</b>   |
| Track Group        | M4027101M39710         |                  |
| Track Chain        | G4027001M00039         |                  |
| Track Shoe         | Z4027100N0710V         |                  |
| Track Roller       | A4027900M00            |                  |
| Track Roller       | B4027900M00            |                  |
| Carrier Roller     | C4027100M00            |                  |
| Segment Group      | S40275A0M00            |                  |
| Idlers             | P4027000M00            |                  |
| <b>KOMATSU</b>     | <b>D355A</b>           | <b>260,35</b>    |
| <b>Description</b> | <b>1 01010 - 01631</b> |                  |
|                    | <b>3 01632 -12621</b>  |                  |
|                    | <b>5 12622-UP</b>      |                  |
|                    | <b>ITM P/N</b>         |                  |
| Track Group        | K40351A0M39610         |                  |
| Track Chain        | E40350A0M00039         |                  |
| Track Group        | M4035100M39610         |                  |
| Track Chain        | G4035000M00039         |                  |
| Track Shoe         | Z40351B0N0610V         |                  |
| Track Roller       | A4035000M00            |                  |
| Track Roller       | B4035000M00            |                  |
| Carrier Roller     | C4035100M00            |                  |
| Segment Group      | S4035500M00            |                  |
| Idler              | P4035400M00            |                  |
| <b>KOMATSU</b>     | <b>D375A</b>           | <b>260,35</b>    |
| <b>Description</b> | <b>1 15001-16000</b>   |                  |
|                    | <b>ITM P/N</b>         |                  |
| Track Shoe         | Z40351B0N0610V         |                  |
| <b>KOMATSU</b>     | <b>D375A</b>           | <b>280,00</b>    |
| <b>Description</b> | <b>2 16001-17000</b>   |                  |
|                    | <b>3 17001-18000</b>   |                  |
|                    | <b>ITM P/N</b>         |                  |
| Track Group        | M4037101M40610         |                  |
| Track Chain        | G4037001M00040         |                  |
| Track Shoe         | Z4037100N0610V         |                  |
| Track Roller       | A4037000M00            |                  |
| Track Roller       | B4037000M00            |                  |
| Carrier Roller     | C4037101M00            |                  |
| Segment Group      | S40375B0M00            |                  |
| <b>KOMATSU</b>     | <b>D375A</b>           | <b>280,00</b>    |
| <b>Description</b> | <b>5 18001-UP</b>      |                  |
|                    | <b>6 65001-UP</b>      |                  |
|                    | <b>ITM P/N</b>         |                  |
| Track Group        | M40371A1M40610         |                  |
| Track Group PPR    | M40371C0M40610         |                  |
| Track Chain        | G40370A1M00040         |                  |
| Track Chain PPR    | G40370B0M00040         |                  |
| Track Shoe         | Z4037100N0610V         |                  |
| Track Roller       | A40370A1M00            |                  |
| Track Roller       | B40370A1M00            |                  |
| Carrier Roller     | C4037101M00            |                  |
| Segment Group      | S40375B0M00            |                  |
| Idler              | P4037000M00            |                  |
| <b>KOMATSU</b>     | <b>D475A</b>           | <b>317,50</b>    |
| <b>Description</b> | <b>1 10001-10200</b>   |                  |
|                    | <b>2 10201-10600</b>   |                  |
|                    | <b>ITM P/N</b>         |                  |
| Track Group        | M4047102M39710         |                  |
| Track Chain        | G4047002M00039         |                  |
| Track Shoe         | Z4047100N0710V         |                  |
| Track Roller       | A4047000M00            |                  |
| Track Roller       | B4047000M00            |                  |
| Carrier Roller     | C4047101M00            |                  |
| Segment Group      | S4047501N00            |                  |

# KOMATSU

| Brand              | Machine Model/Series     | Chain Pitch (mm) |
|--------------------|--------------------------|------------------|
| <b>KOMATSU</b>     | <b>D475A</b>             | <b>317,50</b>    |
| <b>Description</b> | <b>3 10601-20000</b>     |                  |
|                    | <b>ITM P/N</b>           |                  |
| Track Group        | M40471B0M40710           |                  |
| Track Chain        | G40470B0M00040           |                  |
| Track Shoe         | Z4047100N0710V           |                  |
| Track Shoe         | Z4047100N0710F           |                  |
| Track Roller       | A40479A0M00              |                  |
| Track Roller       | B40479A0M00              |                  |
| Carrier Roller     | C40471A0M00              |                  |
| Segment Group      | S4047501N00              |                  |
| <b>KOMATSU</b>     | <b>D475A</b>             | <b>317,50</b>    |
| <b>Description</b> | <b>5 20001-UP</b>        |                  |
|                    | <b>ITM P/N</b>           |                  |
| Track Group        | M40470B0M40710           |                  |
| Track Chain        | G40470B0M00040           |                  |
| Track Shoe         | Z4047100N0710F           |                  |
| Track Shoe         | Z4047100N0710V           |                  |
| Track Roller       | A40479A0M00              |                  |
| Track Roller       | B40479A0M00              |                  |
| Carrier Roller     | C40471A0M00              |                  |
| Segment Group      | S4047501N00              |                  |
| Idler              | P4047000M00              |                  |
| <b>KOMATSU</b>     | <b>D475A</b>             | <b>317,50</b>    |
| <b>Description</b> | <b>5E0 30001-UP</b>      |                  |
|                    | <b>ITM P/N</b>           |                  |
| Track Group        | M40471B0M41710           |                  |
| Track Chain        | G40470B0M00041           |                  |
| Track Shoe         | Z4047100N0710F           |                  |
| Track Shoe         | Z4047100N0710V           |                  |
| Track Roller       | A40479B0M00              |                  |
| Track Roller       | B40479A0M00              |                  |
| Carrier Roller     | C40471A0M00              |                  |
| Segment Group      | S4047501N00              |                  |
| Idler              | P4047000M00              |                  |
| <b>KOMATSU</b>     | <b>D475A</b>             | <b>317,50</b>    |
| <b>Description</b> | <b>5ASD 30001-UP</b>     |                  |
|                    | <b>ITM P/N</b>           |                  |
| Track Group        | M40471B0M41710           |                  |
| Track Chain        | G40470B0M00041           |                  |
| Track Shoe         | Z4047100N0710F           |                  |
| Track Shoe         | Z4047100N0710V           |                  |
| Track Roller       | A40479B0M00              |                  |
| Track Roller       | B40479A0M00              |                  |
| Carrier Roller     | C40471A0M00              |                  |
| Segment Group      | S4047501N00              |                  |
| Idler              | P4047000M00              |                  |
| <b>KOMATSU</b>     | <b>PC800LC</b>           | <b>280,00</b>    |
| <b>Description</b> | <b>6; 7; 8</b>           |                  |
|                    | <b>ITM P/N</b>           |                  |
| Track Group        | K40352A0M47610           |                  |
| Track Chain        | E40350A0M00047           |                  |
| Track Shoe         | Z7670200N0610V           |                  |
| <b>KOMATSU</b>     | <b>PC1250 - PC1250SP</b> | <b>280,00</b>    |
| <b>Description</b> | <b>7 20001-UP</b>        |                  |
|                    | <b>8 30001-UP</b>        |                  |
|                    | <b>ITM P/N</b>           |                  |
| Track Group        | K40252A0M48700           |                  |
| Track Chain        | E4025001M00048           |                  |
| Track Shoe         | Z4012200N0700V           |                  |
| Track Roller       | A4025000M00              |                  |
| Carrier Roller     | C4025000M00              |                  |
| Sprocket           | R4025000M01              |                  |
| Sprocket           | P4025400M00              |                  |



# KOMATSU

| Brand                | Machine Model/Series                                      | Chain Pitch (mm) |
|----------------------|---|------------------|
| <b>KOMATSU</b>       | <b>PC1250LC</b>   | <b>280,00</b>    |
| <b>Description</b>   | <b>7 20001-UP</b><br><b>8 30001-UP</b><br><b>ITM P/N</b>  |                  |
| Track Group          | K40252A0M55700  |                  |
| Track Chain          | E4025001M00055  |                  |
| Track Shoe           | Z4012200N0700V  |                  |
| Track Roller         | A4025000M00   |                  |
| Carrier Roller       | C4025000M00   |                  |
| Sprocket             | R4025000M01   |                  |
| Sprocket             | P4025400M00   |                  |
| <b>KOMATSU</b>       | <b>PC2000</b>   | <b>317,50</b>    |
| <b>Description</b>   | <b>8</b><br><b>ITM P/N</b>                                |                  |
| Track Group          | K40472A0M49810  |                  |
| Track Chain          | E40470A0M00049  |                  |
| Track Shoe           | Z4047200N0810V  |                  |
| Track Roller         | A402K000M00   |                  |
| Carrier Roller       | C402K100M00   |                  |
| Sprocket             | R40470B0M01   |                  |
| Idler                | P402K400M00   |                  |
| <b>KOMATSU</b>       | <b>PC3000</b>   | <b>378,00</b>    |
| <b>Description</b>   | <b>6 46230-UP</b><br><b>6E 06249-UP</b><br><b>ITM P/N</b> |                  |
| Track Group (800mm)  | SH3772-46800  |                  |
| Track Group (1000mm) | SH3770-46A00  |                  |
| Track Roller         | SK6514  |                  |
| Carrier Roller       | SK6515  |                  |
| Tumbler              | SH3773  |                  |
| Idler                | SK6644  |                  |

# HITACHI

| Brand              | Machine Model/Series       | Chain Pitch (mm) |
|--------------------|----------------------------|------------------|
| <b>HITACHI</b>     | <b>ZX850H</b>              | <b>260,35</b>    |
| <b>Description</b> | <b>ITM P/N</b>             |                  |
| Track Group        | K7670200M51650             |                  |
| Track Chain        | E7670700M00051             |                  |
| Track Shoe         | Z7670200N0650V             |                  |
| Track Roller       | A1680000M00                |                  |
| Carrier Roller     | C7670000M00                |                  |
| Sprocket           | R7670000M01                |                  |
| Idler              | P7675400N00                |                  |
| Idler w/yoke       | P7675300N00                |                  |
| <b>HITACHI</b>     | <b>ZX850HLC</b>            | <b>260,35</b>    |
| <b>Description</b> | <b>3</b><br><b>ITM P/N</b> |                  |
| Track Group        | K7670200M51650             |                  |
| Track Chain        | E7670700M00051             |                  |
| Track Group        | K7687200M51650             |                  |
| Track Chain        | E7687700M00051             |                  |
| Track Shoe         | Z7670200N0650V             |                  |
| Track Roller       | A1680000M00                |                  |
| Carrier Roller     | C7670000M00                |                  |
| Sprocket           | R7670000M01                |                  |
| Idler              | P7675400N00                |                  |
| Idler w/yoke       | P7675300N00                |                  |

# HITACHI

| Brand              | Machine Model/Series          | Chain Pitch (mm) |
|--------------------|-------------------------------|------------------|
| <b>HITACHI</b>     | <b>ZX870H; LCH; R; LCR</b>    | <b>260,35</b>    |
| <b>Description</b> | <b>3</b><br><b>ITM P/N</b>    |                  |
| Track Group        | K7670200M51650                |                  |
| Track Chain        | E7670700M00051                |                  |
| Track Group HD     | K7687200M51650                |                  |
| Track Chain HD     | E7687700M00051                |                  |
| Track Shoe         | Z7670200N0650V                |                  |
| Track Roller       | A1680000M00                   |                  |
| Carrier Roller     | C7612000M00                   |                  |
| Sprocket           | R7670000M01                   |                  |
| Idler              | P7675400N00                   |                  |
| Idler w/yoke       | P7675300N00                   |                  |
| <b>HITACHI</b>     | <b>EX1200</b>                 | <b>260,35</b>    |
| <b>Description</b> | <b>5</b><br><b>ITM P/N</b>    |                  |
| Track Group        | K76112A1M52710                |                  |
| Track Chain        | E76117A1M00052                |                  |
| Track Shoe         | Z7611200N0710V                |                  |
| Track Roller       | A7611001M00                   |                  |
| Carrier Roller     | C7670000M00                   |                  |
| Sprocket           | R7611000N01                   |                  |
| Idler              | P7611400N00                   |                  |
| Idler w/yoke       | P7611300N00                   |                  |
| <b>HITACHI</b>     | <b>EX1200</b>                 | <b>280,00</b>    |
| <b>Description</b> | <b>6</b><br><b>ITM P/N</b>    |                  |
| Track Group        | K40252A0M49700                |                  |
| Track Chain        | E4025001M00049                |                  |
| Track Shoe         | Z4012200N0700V                |                  |
| Track Roller       | A76120A0M00                   |                  |
| Carrier Roller     | C7612000M00                   |                  |
| Sprocket           | R76120A0M01                   |                  |
| Idler              | P7612400M00                   |                  |
| <b>HITACHI</b>     | <b>EX1900</b>                 | <b>317,50</b>    |
| <b>Description</b> | <b>6</b><br><b>ITM P/N</b>    |                  |
| Track Group        | L76182A0M49810                |                  |
| Track Chain        | F7618001M00049                |                  |
| Track Shoe         | Z40472A0N0810V                |                  |
| Track Roller       | A7618000M00                   |                  |
| Carrier Roller     | C76181A0N00                   |                  |
| Sprocket           | R7618000N01                   |                  |
| Idler              | P7619400M00                   |                  |
| <b>HITACHI</b>     | <b>EX2500 - EX2600</b>        | <b>440,00</b>    |
| <b>Description</b> | <b>5; 6</b><br><b>ITM P/N</b> |                  |
| Track Group        | L7625700M39A00                |                  |
| Monoblock          | D7625000M05                   |                  |
| Track Roller       | A76260A0M00                   |                  |
| Carrier Roller     | C7625000M00                   |                  |
| Idler              | P7625400M00                   |                  |
| Sprocket           | R7625000M01                   |                  |
| <b>HITACHI</b>     | <b>EX3600</b>                 | <b>497,00</b>    |
| <b>Description</b> | <b>6</b><br><b>ITM P/N</b>    |                  |
| Track Group        | L7635000M38C70                |                  |
| Monoblock          | D7635000M05                   |                  |
| Track Roller       | A76350A0M00                   |                  |
| Carrier Roller     | C7636000M00                   |                  |
| Idler              | P7636400M00                   |                  |
| Sprocket           | R7635000M01                   |                  |
| <b>HITACHI</b>     | <b>EX5600</b>                 | <b>525,00</b>    |
| <b>Description</b> | <b>6</b><br><b>ITM P/N</b>    |                  |
| Track Group        | L7660M00M39E00                |                  |
| Monoblock          | D7660000M05                   |                  |
| Track Roller       | A76600A0M00                   |                  |
| Carrier Roller     | C7660000M00                   |                  |
| Idler              | P7660400M00                   |                  |
| Sprocket           | R7660000M01                   |                  |

# LIEBHERR

# SHANTUI

| Brand                  | Machine Model/Series                | Chain Pitch (mm) |
|------------------------|-------------------------------------|------------------|
| <b>LIEBHERR</b>        | <b>PR764</b>                        | <b>240,00</b>    |
| <b>Description</b>     | <b>ITM P/N</b>                      |                  |
| Track Group PPR        | M01091S0M44610                      |                  |
| Track Chain PPR        | G01090S0M00044                      |                  |
| Track Shoe             | Z01091N1N0610V                      |                  |
| Track Roller           | A01099R0M00                         |                  |
| Track Roller           | B01099R0M00                         |                  |
| Carrier Roller         | C4964100M00                         |                  |
| <b>LIEBHERR</b>        | <b>PR754</b>                        | <b>228,60</b>    |
| <b>Description</b>     | <b>ITM P/N</b>                      |                  |
| Track Group            | M01081R6M44610                      |                  |
| Track Chain            | G01080A0M00044                      |                  |
| Track Shoe             | ZZ1081R0N0610V                      |                  |
| Track Group            | M01081R6M44559                      |                  |
| Track Chain            | G01080A0M00044                      |                  |
| Track Shoe             | ZZ1081R0N0559V                      |                  |
| Track Roller           | A01089T0M00                         |                  |
| Track Roller           | B01089T0M00                         |                  |
| Carrier Roller         | C01081N0M00                         |                  |
| <b>LIEBHERR</b>        | <b>PR776</b>                        | <b>260,40</b>    |
| <b>Description</b>     | <b>ITM P/N</b>                      |                  |
| Track Group            | M01101S0M44610                      |                  |
| Track Chain with PPR   | G01100S0M00044                      |                  |
| Track Shoe             | Z01101P1N0610V                      |                  |
| Track Roller           | A01109T1M00                         |                  |
| Track Roller           | B01109T1M00                         |                  |
| Track Roller (Carrier) | A01109T1M00                         |                  |
| Segment Group          | S01105N0M00                         |                  |
| Idler                  | P01100T0M00                         |                  |
| <b>LIEBHERR</b>        | <b>R984C (LITRONIC HD) STANDARD</b> | <b>280,00</b>    |
| <b>Description</b>     |                                     |                  |
| Track Group            | K49842COM49600                      |                  |
| Track Chain            | E49840COM00049                      |                  |
| Track Shoe             | Z4984200N0600V                      |                  |
| Track Roller           | A4984000M00                         |                  |
| Carrier Roller         | C14111A0Y00                         |                  |
| Sprocket               | R49840COM01                         |                  |
| Idler                  | P49844A0Y00                         |                  |
| <b>LIEBHERR</b>        | <b>R984C (LITRONIC HD) ITM P/N</b>  | <b>280,00</b>    |
| <b>Description</b>     |                                     |                  |
| Track Group            | K4984200M53600                      |                  |
| Track Chain            | E4984000M00053                      |                  |
| Track Shoe             | Z4984200N0600V                      |                  |
| Track Roller           | A4984000M00                         |                  |
| Carrier Roller         | C14111A0Y00                         |                  |
| Sprocket               | R49840COM01                         |                  |
| Idler                  | P49844A0Y00                         |                  |
| <b>LIEBHERR</b>        | <b>R9250</b>                        | <b>350,00</b>    |
| <b>Description</b>     | <b>ITM P/N</b>                      |                  |
| Track Group            | L14122COM49850                      |                  |
| Track Chain            | F14128A0M00024                      |                  |
| Track Chain            | F14128A0M00025                      |                  |
| Track Shoe             | Z1412200N0850V                      |                  |
| Track Roller           | A49940A0M00                         |                  |
| Carrier Roller         | C1411000Y00                         |                  |
| Sprocket               | R49250A0M01                         |                  |
| Idler                  | PV9944D0Y00                         |                  |
| <b>LIEBHERR</b>        | <b>R9350</b>                        | <b>350,00</b>    |
| <b>DESCRIPTION</b>     | <b>STANDARD</b>                     |                  |
| Track Group            | L14122A0M50850                      |                  |
| Track Chain            | F1412800M00025                      |                  |
| Track Chain            | F1412800M00025                      |                  |
| Track Shoe             | Z1412200N0850V                      |                  |
| Track Roller           | A4935000M00                         |                  |
| Carrier Roller         | C1411000Y00                         |                  |
| Sprocket               | R49350A0M01                         |                  |
| Idler                  | P4935400M00                         |                  |

| Brand              | Machine Model/Series | Chain Pitch (mm) |
|--------------------|----------------------|------------------|
| <b>SHANTUI</b>     | <b>SD42</b>          | <b>260,40</b>    |
| <b>Description</b> | <b>ITM P/N</b>       |                  |
| Track Group        | M01101R5M41610       |                  |
| Track Chain        | G01100T2M00041       |                  |
| Track Shoe         | Z01101P1N0610V       |                  |
| Track Roller       | A01109T1M00          |                  |
| Track Roller       | B01109T1M00          |                  |
| Carrier Roller     | C4035100M00          |                  |
| Segment Group      | S4035500M00          |                  |
| Idler              | P4035000N00          |                  |
| <b>SHANTUI</b>     | <b>SD52</b>          | <b>280,00</b>    |
| <b>Description</b> | <b>ITM P/N</b>       |                  |
| Track Group        | M40371A1M40610       |                  |
| Track Chain        | G40370A1M00040       |                  |
| Track Shoe         | Z4037100N0610V       |                  |
| Track Roller       | A4037000M00          |                  |
| Track Roller       | B4037000M00          |                  |
| Carrier Roller     | C4037101M00          |                  |
| Segment Group      | S40375B0M00          |                  |

For additional non-listed components, please contact ITM or the ITM Dealer nearest to you.



**Titan International**  
 Quincy, IL, USA  
 Bryan, OH, USA  
 Des Moines, IA, USA  
 Freeport, IL, USA  
 Saltville, VA, USA

**Titan Tire Corporation**  
 Union City, TN, USA

**Titan Pneus do Brasil Ltda**  
 São Paulo, Brazil

**Voltyre-Prom**  
 Volgograd, Russia

**Titan Mining Services (TMS) SWT**  
 Saskatoon, SK, Canada

**Titan Mining Services (TMS) Titan Australia Pty Ltd**  
 Emerald, QLD, Australia  
 Kalgoorlie, WA, Australia  
 Karratha, WA, Australia  
 Mildura, VIC, Australia

Muswellbrook, NSW, Australia  
 Perth, WA, Australia  
 Port Hedland, WA, Australia  
 Sydney, NSW, Australia  
 Whyala, SA, Australia  
 Yatala, QLD, Australia

**Titan Mining Services (TMS) PT Titan Wheels Indonesia**  
 Jakarta, Indonesia

**Titan Mining Services (TMS) Titan Wheels South Africa (Pty) Ltd**  
 Nuffield, Springs, SA

**Titan Mining Services (TMS) Aros del Pacifico S.A.C.**  
 Lima, Peru

**Titan Mining Services (TMS) Aros del Pacifico S.A.**  
 Santiago, Chile  
 Iquique, Chile

**Titan Steel Wheels Ltd**  
 Kidderminster, UK

**Titan Distribution (UK) Ltd**  
 St. Helens, UK

**Titan Italia SpA**  
 Crespellano (BO), Italy  
 Finale Emilia (MO), Italy  
 Jesi (AN), Italy

**Titan France SAS**  
 Flers, France

**Titan Asia A.S.**  
 Aydin, Turkey

**Wheels India Ltd**  
 Tamilnadu, India  
 (Minority Share)

**Italtractor ITM SpA**  
 Fanano (MO), Italy  
 Ceprano (FR), Italy  
 Potenza, Italy

**Titan Intertractor GmbH**  
 Gevelsberg, Germany

**Pyrsa Piezas y Rodajes S.A.**  
 Monreal del Campo  
 (Teruel), Spain

**Intertractor America Corp.**  
 Elkhorn, WI, USA  
 Winston-Salem, NC, USA  
 Gillette, WY, USA

**ITM Latin America Ltda**  
 Atibaia, São Paulo, Brazil  
 Parauapebas, Pará, Brazil

**ITM Track (Tianjin) Ltd**  
 Tianjin, P.R. of China

**Titan ITM (Tianjin) Co. Ltd**  
 WDA Tianjin, P.R. of China

**Titan ITM Japan Ltd**  
 Yokohama, Japan